



TECHNICAL GUIDE

**AFFINITY™ SERIES
SPLIT-SYSTEM HEAT PUMPS
18 SEER – R-410A – 1 PHASE
2 THRU 5 NOMINAL TONS
MODELS: YZH024 THRU 060**



Due to continuous product improvement, specifications are subject to change without notice.

Visit us on the web at

www.upgnet.com and www.york.com

Additional rating information can be found at

www.ahridirectory.org

WARRANTY SUMMARY*

Extended 10-Years limited parts warranty.

Extended Lifetime limited compressor warranty.

Extended parts and compressor warranties require online registration within 90 days of purchase for replacement or closing for new home construction.

*Does not apply to R-22 models, 3-Phase models, or internet sales.

See Limited Warranty certificate in User's Information Manual for details.

DESCRIPTION

The 18 SEER Series unit is the outdoor part of a versatile climate system. It is designed with a matching indoor coil component from Johnson Controls Unitary Products. Available for typical applications, this climate system is supported with accessories and documents to serve specific functions.

FEATURES

Superior Coil Protection - A stamped, decorative metal coil guard protects the tube-in-fin coil from debris and other damaging material.

Protected Compressor - The compressor is safeguarded against abnormal pressures and temperatures by an internal pressure relief valve, an internal temperature sensor, and factory high and low pressure system controls. A factory installed liquid line filter-drier further protects the compressor against moisture and debris.

Environmentally Friendly Refrigerant - The next generation refrigerant R-410A delivers environmentally friendly performance with zero ozone depletion.

Durable Finish - An automotive quality finish provides the ultimate protection from harmful UV rays and rust creep, ensuring a long-lasting, high quality appearance. A powder-paint topcoat is applied over a baked-on primer using a galvanized, zinc coated steel base material. The result is a finish that has been proven in testing to provide 33% greater durability than conventional powder-coat finishes.

Hot Heat Pump - An optional mode that slows the indoor fan for higher register air temperatures and premium comfort.

QuietDrive™ System - Features combination of swept-wing fan, composite base pan, isolated compressor compartment, and two-stage compressor to reduce overall sound to a mere whisper.

Low RPM ECM Fan Motor - Helps to reduce airflow noise.

Swept Wing Fan - A fan design boasting technology adapted from aeronautic and defense engineering provides for whisper-quiet operation by allowing air to flow smoothly and efficiently across the fan tips.

Composite Base Pan - The strong and durable composite base pan provides added strength while resisting rust and corrosion, as well as reducing sound and vibration.

Isolated Compressor Compartment - A molded composite bulkhead isolates the refrigeration components and the compressor from the rest of the unit, reducing sound and vibration.

Lower Installed Cost - Designed to provide enhanced installability by featuring a slide-down control compartment that allows easy access to control components, along with angled service valves to reduce overall installation time and cost. Factory charged for a 15 foot lineset.

Factory Installed Filter-Drier - A factory installed, solid core liquid line filter-drier removes harmful debris and moisture from the system.

Easy Service Access - A full end, full service access panel with handle makes for easy entry to internal components.

Communications Capable - Requiring only a simple 4-wire installation, the communicating capability enables the use of the Touch Screen Communicating Control, allowing real time visibility of system operation and the use of diagnostic features, while still maintaining the ability to function with a traditional thermostat.

Complete System Control - These heat pumps utilize the unique York Guard VI microprocessor defrost control system to provide optimal comfort as well as monitor the overall system for reliable operation. In the event improper operating conditions occur (high temperature and/or high pressure), the system will automatically shut the system down to extend the life of the heat pump. The defrost control features an internal memory to aid the technician in troubleshooting, reducing service time and cost.

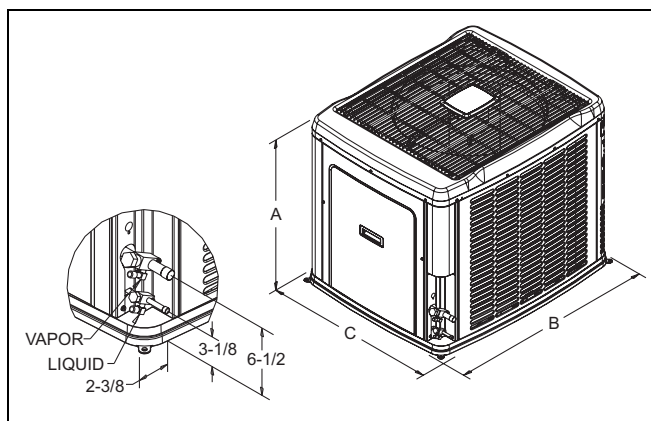
Premium System Warranty - Limited lifetime compressor warranty when registered online within 90 days of installation.

Agency Listed - Safety certified by CSA to UL 1995 / CSA 22.2. Performance certified to ANSI/AHRI Standard 210/240 in accordance with the Unitary Small Equipment certification program.

Physical and Electrical Data

MODEL		YZH02411(C)	YZH03611(C)	YZH04811(C)	YZH06011(C)
Unit Supply Voltage		208-230V, 1 ϕ , 60Hz			
Normal Voltage Range ¹		187 to 252			
Minimum Circuit Ampacity		18.2	23.6	29.2	34.8
Max. Overcurrent Device Amps ²		30	40	50	60
Min. Overcurrent Device Amps ³		20	25	30	35
Compressor Amps	Type	2-Stage Scroll	2-Stage Scroll	2-Stage Scroll	2-Stage Scroll
	Rated Load	12.3	16.6	21.1	25.6
	Locked Rotor	52	82	96	118
Crankcase Heater		No	No	No	No
Factory External Discharge Muffler		Yes	Yes	Yes	Yes
Factory External Check Valve		No	No	No	No
HS Kit Required with TXV ⁴		No	No	No	No
Fan Diameter Inches		24	24	24	24
Fan Motor	Rated HP	1/3	1/3	1/3	1/3
	Rated Load Amps	2.8	2.8	2.8	2.8
	Nominal RPM	685	685	685	685
	Nominal CFM	2950	3250	3400	3350
Coil	Face Area Sq. Ft.	23.6	23.6	23.6	23.6
	Rows Deep	2	2	2	2
	Fins / Inch	16	16	14	14
Liquid Line OD (in) (Field Installed)		3/8	3/8	3/8	3/8
Vapor Line OD (in) (Field Installed)		3/4	3/4	7/8	7/8
Unit Charge (Lbs. - Oz.) ⁵		14 - 12	12 - 7	12 - 13	14 - 8
Charge Per Foot, Oz.		0.62	0.62	0.67	0.67
Operating Weight Lbs.		315	315	320	340

1. Rated in accordance with AHRI Standard 110-2012, utilization range "A".
2. Dual element fuses or HACR circuit breaker. Maximum allowable overcurrent protection.
3. Dual element fuses or HACR circuit breaker. Minimum recommended overcurrent protection.
4. See Hard Start Kit Accessory Installation Manual for Hard Start Kit part number for each model.
5. The Unit Charge is correct for the outdoor unit, smallest matched indoor unit, and 15 feet of refrigerant tubing. For tubing lengths other than 15 feet, add or subtract the amount of refrigerant, using the difference in length multiplied by the per foot value.



Unit Model	Dimensions (Inches)			Refrigerant Connection Service Valve Size	
	A	B	C	Liquid	Vapor
24	40	42-1/4	34	3/8	3/4
36	40	42-1/4	34		
48	40	42-1/4	34		7/8
60	40	42-1/4	34		

All dimensions are in inches and are subject to change without notice.

Overall height is from bottom of base pan to top of fan guard.

Overall length and width include screw heads.

System Charge for Various Matched Systems				
Outdoor Unit	YZH02411(C)	YZH03611(C)	YZH04811(C)	YZH06011(C)
Required TXV ¹	4G1	4G1	4H1	4K1
Indoor Unit ^{2,3,4}	TXV Kit ⁵ - Additional Charge, Oz			
AHE42D	–	5	–	–
AHE60D	–	–	7	7
AHV24B	0	–	–	–
AHV30B	0	–	–	–
AHV36C	0	0	–	–
AHV42D	–	5	–	–
AHV48D	–	15	4	–
AHV60D	–	–	7	7
FC/MC/PC37	0	0	–	–
FC/MC/PC43	0	0	–	–
FC/MC/PC48	5	5	0	–
FC/MC/PC60	9	15	4	0
FC/MC62	–	24	7	7
FC64	–	25	15	14
UC48	5	5	0	–
UC60	–	15	4	0

Some of the combinations shown in the above System Charge table require Advanced Main Air Circulating Fan indoor product. For approved coil only matches, please see the "COOLING CAPACITY - Upflow, Downflow & Horizontal Furnaces and Coils" table.

FOOTNOTES:

1. For applications requiring a TXV use S1-1TVM*** series kit.
2. A TXV kit must be used with these indoor units to obtain system performance.
3. Systems matched with furnaces or air handlers not equipped with blower-off delays may require blower Time Delay Kit S1-2FD06700224.
4. PC coils cannot be used in downflow or horizontal applications. FC coils cannot be used in horizontal applications.
5. Refer to Cooling and Heating Performance Data tables for actual performance for specified system matches.

PROCEDURES

1. Unit factory charge listed on the unit nameplate includes refrigerant for the outdoor unit, the smallest matched indoor unit, and 15 feet of inter-connecting line tubing.
2. Verify the TXV and additional charge required for specific matched indoor unit in the system using the above table.
3. Add additional charge for the amount of interconnecting line tubing greater than 15 feet at the rate specified in Physical and Electrical Data Table.
4. For indoor matches requiring additional charge, the refrigerant needs to be weighed in for specific matched indoor unit and lineset length.
5. Permanently mark the unit nameplate with the total system charge. Total System Charge = Base Charge (as shipped) + charge adder for matched indoor unit + charge adder for line set.

COOLING CAPACITY - With Air Handler Coils

UNIT MODEL	AIR HANDLER		COIL ¹ MODEL	COOLING					
	MODEL	WIDTH		STAGE	RATED CFM	NET MBH		SEER	EER
						TOTAL	SENS.		
18 SEER HP WITH AIR HANDLERS									
YZH02411(C)	AHV24B	17.5	-	1	470	17.1	11.8	16.00	13.50
				2	710	24.0	16.7		13.35
	AHV30B	17.5	-	1	500	17.4	12.2	16.25	13.70
				2	775	24.0	17.4		13.35
	AHV36C	21.0	-	1	485	17.5	12.1	16.50	13.80
				2	760	24.0	17.6		13.65
	MV12B	17.5	FC/MC43B	1	645	18.2	13.5	16.40	15.10
				2	800	23.6	18.8		13.60
	MV12D	24.5	FC/MC48D	1	645	18.5	14.0	17.00	14.90
				2	835	24.0	19.5		14.00
	MV12D	24.5	FC/MC60D	1	645	18.5	14.0	17.00	14.90
				2	835	24.0	19.5		14.00
YZH03611(C)	AHE42D	24.5	-	1	685	25.2	18.9	16.85	14.75
				2	1180	36.0	27.0		13.00
	AHV36C	21.0	-	1	785	25.0	18.1	17.00	14.15
				2	1215	36.0	26.2		12.75
	AHV42D	24.5	-	1	790	25.2	18.4	17.50	14.40
				2	1180	36.0	26.4		13.15
	AHV48D	24.5	-	1	835	25.4	18.8	17.50	14.40
				2	1155	36.0	26.0		13.20
	MV12D	24.5	FC/MC48D	1	845	24.8	18.0	17.35	15.35
				2	1245	35.2	26.2		13.35
	MV12D	24.5	FC/MC60D	1	845	24.8	18.3	17.50	15.20
				2	1245	35.4	26.4		13.35
	MV12D	24.5	FC/MC62D	1	845	25.6	19.7	17.50	15.20
				2	1245	36.0	27.8		13.35
	MV12D	24.5	FC64D	1	780	25.8	19.6	18.00	15.30
				2	1155	36.0	27.6		13.50
	MV16C	21.0	FC/MC43C	1	775	24.8	18.2	17.10	15.50
				2	1200	35.4	26.6		13.10
	MV16C	21.0	FC/MC48C	1	775	25.0	18.6	17.30	15.45
				2	1200	35.8	26.8		13.35
MX12BN21	17.5	FC/MC43B	1	740	24.4	17.7	16.75	14.00	
			2	1125	34.8	24.8		12.00	
MX12DN21	24.5	FC/MC48D	1	830	25.0	18.4	17.50	15.05	
			2	1125	35.4	25.4		13.00	
MX12DN21	24.5	FC/MC60D	1	845	24.8	18.6	17.50	14.90	
			2	1150	35.4	25.4		13.00	
MX12DN21	24.5	FC64D	1	880	26.0	19.8	18.00	15.00	
			2	1175	36.8	27.2		13.00	
YZH04811(C)	AHE60D	24.5	-	1	1160	33.8	24.7	17.00	13.90
				2	1565	47.0	35.7		12.70
	AHV48D	24.5	-	1	1010	33.4	23.8	17.25	13.25
				2	1585	46.5	34.2		12.30
	AHV60D	24.5	-	1	1000	33.4	24.2	17.00	13.25
				2	1570	46.5	35.0		12.35
	MV16C	21.0	FC/MC48C	1	1000	33.4	25.0	16.65	13.90
				2	1600	46.5	35.6		12.20
	MV20D	24.5	FC/MC48D	1	1045	33.4	25.0	16.30	14.35
				2	1570	46.5	35.6		12.50

For notes, see Page 5.

COOLING CAPACITY - With Air Handler Coils (Continued)

UNIT MODEL	AIR HANDLER		COIL ¹ MODEL	COOLING				SEER	EER
	MODEL	WIDTH		STAGE	RATED CFM	NET MBH			
						TOTAL	SENS.		
18 SEER HP WITH AIR HANDLERS									
YZH04811(C)	MV20D	24.5	FC/MC60D	1	1045	33.0	25.0	16.20	14.35
				2	1570	46.0	36.4		12.50
	MV20D	24.5	FC/MC62D	1	1045	33.8	25.8	17.00	13.95
				2	1570	47.0	36.6		12.50
	MV20D	24.5	FC64D	1	1075	34.4	26.6	17.40	14.50
				2	1630	47.5	37.8		12.50
	MX16CN21	21.0	FC/MC48C	1	1015	32.9	23.5	16.50	13.25
				2	1600	45.5	34.1		11.50
	MX16CN21	21.0	FC60C	1	1020	32.9	23.5	16.50	13.50
				2	1600	45.5	33.9		11.50
YZH06011(C)	AHE60D	24.5	-	1	1160	40.5	28.8	15.40	12.60
				2	1835	56.5	41.8		11.65
	AHV60D	24.5	-	1	1095	40.5	27.8	15.45	11.90
				2	1730	57.0	40.5		11.75
	MV20D	24.5	FC/MC60D	1	1175	39.5	27.6	14.75	11.30
				2	1820	57.0	42.0		11.35
	MV20D	24.5	FC/MC62D	1	1175	41.0	29.8	15.50	12.80
				2	1820	57.0	43.0		11.80
	MV20D	24.5	FC64D	1	1160	42.0	30.6	16.00	13.10
				2	1855	58.0	44.5		11.80
	MX16CN21	21.0	FC60C	1	1020	38.7	26.1	14.50	11.75
				2	1600	54.0	37.2		10.75

Rated in accordance with DOE test procedures (Federal Register 12-27-79 and 3-18-88) and ANSI/AHRI Standard 210/240.

Cooling MBH based on 80°F entering air temperature, 50% RH (Relative Humidity), and rated air flow.

EER (Energy Efficiency Ratio) is the total cooling output in BTUs at 95°F outdoor ambient divided by the total electric power in watt-hours at those conditions.

SEER (Seasonal Energy Efficiency Ratio) is the total cooling output in BTUs during a normal annual usage period for cooling divided by the total electric power input in watt-hours during the same period.

1. MC coils available with a factory installed horizontal drain pan. See price pages for specific model number.

— = Not applicable.

MA Modular Air Handlers use Coil Only Ratings

COOLING CAPACITY - Upflow, Downflow & Horizontal Furnaces and Coils (Coil Only Ratings)

UNIT MODEL	COIL		CFM RANGE (MIN.-MAX.)	COOLING				SEER ¹	EER
	MODEL	WIDTH		STAGE	RATED CFM	NET MBH			
						TOTAL	SENS.		
18 SEER HP COIL ONLY RATINGS									
YZH02411(C)	FC/MC/PC48	21.0,24.5	450 - 650	1	600	17.7	12.9	14.50	13.60
			650 - 1150	2	800	23.2	18.3		12.00
YZH03611(C)	FC/MC62	24.5	700 - 1000	1	900	25.0	19.5	15.20	13.85
			1000 - 1400	2	1200	35.0	26.4		12.00
	FC64	24.5	800 - 1000	1	900	25.6	20.4	15.50	13.35
			1000 - 1400	2	1200	35.6	27.4		12.15
YZH04811(C)	FC/MC62	24.5	1000 - 1400	1	1200	33.4	26.2	14.50	12.90
			1400 - 1800	2	1600	46.0	35.6		11.50
	FC64	24.5	1000 - 1400	1	1200	34.2	27.2	15.00	12.70
			1400 - 1800	2	1600	46.5	36.6		11.65
YZH06011(C)	FC/MC62	24.5	1150 - 1550	1	1350	41.0	30.8	14.00	12.20
			1600 - 2000	2	1800	56.0	42.0		11.20
	FC64	24.5	1150 - 1550	1	1350	42.0	31.8	14.25	11.90
			1600 - 2000	2	1800	57.0	43.0		11.30

1. Requires a 2FD06700224 Blower Time Delay unless a standard furnace is equipped with one.

MA Modular Air Handlers use Coil Only Ratings.

PSC furnaces, such as the TG8S, TGLS, and TG9S, use Coil Only Ratings.

COOLING CAPACITY - With High Efficiency Motor Furnaces

UNIT MODEL	FURNACE		COIL ¹ MODEL	COOLING					
	MODEL	WIDTH		STAGE	RATED CFM	NET MBH		SEER	EER
						TOTAL	SENS.		
18 SEER HP WITH HIGH EFFICIENCY MOTOR FURNACES ²									
YZH02411(C)	T*(8,L)C*A12	14.5	FC/MC/PC37A	1	585	18.0	13.0	16.20	14.35
				2	805	23.4	18.7		13.30
	T*(8,L)C*B12	17.5	FC/MC/PC43B	1	515	17.5	12.2	15.70	13.80
				2	790	23.2	18.3		13.50
	T*(8,L)C*C16	21.0	FC/MC/PC43C	1	645	17.5	13.5	16.30	14.10
				2	895	24.0	18.0		13.50
	T*(8,L)V*A12	14.5	FC/MC/PC37A	1	585	18.0	13.0	16.20	14.35
				2	805	23.4	18.7		13.30
	T*(8,L)V*B12	17.5	FC/MC/PC43B	1	515	17.5	12.2	15.70	13.80
				2	790	23.2	18.3		13.50
	T*(8,L)V*C16	21.0	FC/MC/PC43C	1	645	17.5	13.5	16.30	14.10
				2	895	24.0	18.0		13.50
	T*9(C,V)*B12	17.5	FC/MC/PC43B	1	550	17.8	12.6	16.30	14.35
				2	800	23.4	18.7		13.40
	T*9V*A10	14.5	FC/MC/PC37A	1	570	17.9	12.9	15.75	13.90
				2	790	23.2	16.7		12.80
	TM8X080C16MP11	21.0	FC/MC/PC43C	1	630	17.6	13.3	16.20	14.15
				2	800	23.8	17.6		13.00
	TM8X080C16MP11	21.0	FC/MC/PC48C	1	630	17.7	13.4	16.00	13.75
				2	800	24.0	17.7		12.50
	TM8X080C16MP11	21.0	FC/PC60C	1	630	17.7	13.5	16.00	13.75
				2	800	24.0	17.5		12.50
	TM8X080C16MP11	21.0	UC48C	1	630	17.2	13.1	15.25	13.25
				2	800	23.8	17.5		12.50
	TM8X080C16MP11	21.0	UC60C	1	630	17.6	13.4	16.00	13.50
				2	800	23.8	17.5		12.50
	TM8X100C16MP11	21.0	FC/MC/PC43C	1	630	17.6	13.3	16.20	14.15
				2	800	23.8	17.6		13.00
	TM8X100C16MP11	21.0	FC/MC/PC48C	1	630	17.7	13.4	16.00	13.75
				2	800	24.0	17.7		12.50
	TM8X100C16MP11	21.0	FC/PC60C	1	630	17.7	13.5	16.00	13.75
				2	800	24.0	17.5		12.50
	TM8X100C16MP11	21.0	UC48C	1	630	17.2	13.1	15.25	13.25
				2	800	23.8	17.5		12.50
	TM8X100C16MP11	21.0	UC60C	1	630	17.6	13.4	16.00	13.50
				2	800	23.8	17.5		12.50
	TMLX080C16MP11	21.0	FC/MC/PC43C	1	630	17.6	13.3	16.20	14.15
				2	800	23.8	17.6		13.00
	TMLX080C16MP11	21.0	FC/MC/PC48C	1	630	17.7	13.4	16.00	13.75
				2	800	24.0	17.7		12.50
TMLX080C16MP11	21.0	FC/PC60C	1	630	17.7	13.5	16.00	13.75	
			2	800	24.0	17.5		12.50	
TMLX080C16MP11	21.0	UC48C	1	630	17.2	13.1	15.25	13.25	
			2	800	23.8	17.5		12.50	
TMLX080C16MP11	21.0	UC60C	1	630	17.6	13.4	16.00	13.50	
			2	800	23.8	17.5		12.50	
TMLX100C16MP11	21.0	FC/MC/PC43C	1	630	17.6	13.3	16.20	14.15	
			2	800	23.8	17.6		13.00	
TMLX100C16MP11	21.0	FC/MC/PC48C	1	630	17.7	13.4	16.00	13.75	
			2	800	24.0	17.7		12.50	

For notes, see Page 22.

COOLING CAPACITY - With High Efficiency Motor Furnaces (Continued)

UNIT MODEL	FURNACE		COIL ¹ MODEL	COOLING					
	MODEL	WIDTH		STAGE	RATED CFM	NET MBH		SEER	EER
						TOTAL	SENS.		
18 SEER HP WITH HIGH EFFICIENCY MOTOR FURNACES²									
YZH02411(C)	TMLX100C16MP11	21.0	FC/PC60C	1	630	17.7	13.5	16.00	13.75
				2	800	24.0	17.5		12.50
	TMLX100C16MP11	21.0	UC48C	1	630	17.2	13.1	15.25	13.25
				2	800	23.8	17.5		12.50
	TMLX100C16MP11	21.0	UC60C	1	630	17.6	13.4	16.00	13.50
				2	800	23.8	17.5		12.50
	Y*(8,L)C*A12	14.5	FC/MC/PC37A	1	585	18.0	13.0	16.20	14.35
				2	805	23.4	18.7		13.30
	Y*(8,L)C*B12	17.5	FC/MC/PC43B	1	515	17.5	12.2	15.70	13.80
				2	790	23.2	18.3		13.50
	Y*(8,L)C*C16	21.0	FC/MC/PC43C	1	645	17.5	13.5	16.30	14.10
				2	895	24.0	18.0		13.50
	Y*9C*B12	17.5	FC/MC/PC43B	1	550	17.8	12.6	16.30	14.35
				2	800	23.4	18.7		13.40
YZH03611(C)	T*(8,L)C*A12	14.5	FC/MC/PC37A	1	730	24.0	17.0	16.70	14.10
				2	1150	33.6	24.0		12.15
	T*(8,L)C*B12	17.5	FC/MC/PC43B	1	860	24.6	18.1	17.00	14.30
				2	1270	34.6	26.2		12.10
	T*(8,L)C*C16	21.0	FC/MC/PC43C	1	800	25.0	18.8	17.30	14.55
				2	1205	35.2	26.6		12.80
	T*(8,L)C*C16	21.0	FC/MC/PC48C	1	725	24.4	18.7	17.30	14.50
				2	1195	34.8	26.6		13.00
	T*(8,L)C*C16	21.0	FC/PC60C	1	710	24.6	18.9	17.30	14.30
				2	1185	34.8	26.8		13.15
	T*(8,L)C*C16	21.0	UC48C	1	810	25.2	19.2	17.60	14.80
				2	1210	35.0	26.8		12.80
	T*(8,L)C*C16	21.0	UC60C	1	810	25.2	18.8	17.40	14.80
				2	1195	35.0	26.4		13.00
	T*(8,L)C*C20	21.0	FC/MC/PC43C	1	740	24.8	18.1	17.30	14.60
				2	1190	35.2	26.6		12.90
	T*(8,L)C*C20	21.0	FC/MC/PC48C	1	715	24.2	17.8	17.20	14.50
				2	1150	34.8	26.2		13.15
	T*(8,L)C*C20	21.0	FC/PC60C	1	800	24.4	18.6	17.30	14.80
				2	1215	34.8	27.0		13.00
	T*(8,L)C*C20	21.0	UC48C	1	720	24.6	18.1	17.40	14.60
				2	1155	34.8	26.4		12.90
	T*(8,L)C*C20	21.0	UC60C	1	800	25.2	18.8	17.40	14.80
				2	1215	35.0	26.4		12.90
	T*(8,L)V*A12	14.5	FC/MC/PC37A	1	730	24.0	17.0	16.70	14.10
				2	1150	33.6	24.0		12.15
	T*(8,L)V*B12	17.5	FC/MC/PC43B	1	860	24.6	18.1	17.00	14.30
				2	1275	34.6	26.2		12.15
T*(8,L)V*C16	21.0	FC/MC/PC43C	1	800	25.0	18.8	17.30	14.55	
			2	1205	35.2	26.6		12.80	
T*(8,L)V*C16	21.0	FC/MC/PC48C	1	725	24.4	18.7	17.30	14.50	
			2	1195	34.8	26.6		13.00	
T*(8,L)V*C16	21.0	FC/PC60C	1	710	24.6	18.9	17.30	14.30	
			2	1185	34.8	26.8		13.15	
T*(8,L)V*C16	21.0	UC48C	1	810	25.2	19.2	17.60	14.80	
			2	1210	35.0	26.8		12.80	

For notes, see Page 22.

COOLING CAPACITY - With High Efficiency Motor Furnaces (Continued)

UNIT MODEL	FURNACE		COIL ¹ MODEL	COOLING				SEER	EER
	MODEL	WIDTH		STAGE	RATED CFM	NET MBH			
						TOTAL	SENS.		
18 SEER HP WITH HIGH EFFICIENCY MOTOR FURNACES²									
YZH03611(C)	T*(8,L)V*C16	21.0	UC60C	1	810	25.2	18.8	17.40	14.80
				2	1195	35.0	26.4		13.00
	T*(8,L)V*C20	21.0	FC/MC/PC43C	1	740	24.8	18.1	17.30	14.60
				2	1190	35.2	26.6		12.90
	T*(8,L)V*C20	21.0	FC/MC/PC48C	1	715	24.2	17.8	17.20	14.50
				2	1150	34.8	26.2		13.15
	T*(8,L)V*C20	21.0	FC/PC60C	1	800	24.4	18.6	17.30	14.80
				2	1215	34.8	27.0		13.00
	T*(8,L)V*C20	21.0	UC48C	1	720	24.6	18.1	17.40	14.60
				2	1155	34.8	26.4		12.90
	T*(8,L)V*C20	21.0	UC60C	1	800	25.2	18.8	17.40	14.80
				2	1215	35.0	26.4		12.90
	T*9(C,V)*B12	17.5	FC/MC/PC43B	1	815	25.0	18.8	17.00	14.25
				2	1200	34.6	26.2		12.20
	T*9(C,V)*C16	21.0	FC/MC/PC43C	1	815	25.2	18.9	17.10	14.55
				2	1240	35.0	26.8		12.40
	T*9(C,V)*C16	21.0	FC/MC/PC48C	1	780	24.4	18.7	17.30	14.35
				2	1195	34.8	26.6		12.70
	T*9(C,V)*C16	21.0	FC/PC60C	1	810	24.2	18.7	17.00	14.10
				2	1235	34.4	26.8		12.40
	T*9(C,V)*C16	21.0	UC48C	1	780	25.0	18.8	17.40	14.55
				2	1195	34.8	26.8		12.70
	T*9(C,V)*C16	21.0	UC60C	1	810	25.2	18.8	17.40	14.55
				2	1235	34.8	26.2		12.50
	T*9(C,V)*C20	21.0	FC/MC/PC43C	1	780	25.0	18.5	17.30	14.55
				2	1200	35.0	26.6		12.70
	T*9(C,V)*C20	21.0	FC/MC/PC48C	1	745	24.2	18.0	17.00	14.25
				2	1305	35.0	27.6		12.40
	T*9(C,V)*C20	21.0	FC/PC60C	1	770	24.2	18.3	17.10	14.25
				2	1305	35.0	27.8		12.50
	T*9(C,V)*C20	21.0	UC48C	1	755	24.8	18.4	17.20	14.45
				2	1330	35.6	28.0		12.50
	T*9(C,V)*C20	21.0	UC60C	1	770	24.8	18.3	17.20	14.45
				2	1325	35.4	27.6		12.60
	T*9(C,V)*D20	24.5	FC/MC/PC60D	1	830	24.4	19.0	17.10	14.35
				2	1225	34.8	27.0		12.80
	T*9(C,V)*D20	24.5	FC/MC62D	1	835	25.6	19.5	17.50	14.90
				2	1235	35.8	27.4		13.00
	T*9(C,V)*D20	24.5	FC64D	1	835	26.0	20.2	17.75	15.15
				2	1235	36.0	28.2		13.20
T*9(C,V)*D20	24.5	UC60D	1	830	25.2	18.8	17.40	14.65	
			2	1225	35.0	26.4		12.80	
TM8X060A12MP11	14.5	FC/MC/PC37A	1	770	24.4	17.7	17.00	14.40	
			2	1125	34.6	24.6		12.10	
TM8X080B12MP11	17.5	FC/MC/PC43B	1	805	24.4	17.7	17.00	14.40	
			2	1175	34.6	24.8		12.10	
TM8X080C16MP11	21.0	FC/MC/PC43C	1	775	24.4	17.7	17.00	14.30	
			2	1150	34.8	25.0		12.65	
TM8X080C16MP11	21.0	FC/MC/PC48C	1	775	24.6	17.9	17.25	14.40	
			2	1150	35.2	25.4		12.80	
TM8X080C16MP11	21.0	FC/MC/PC48D	1	805	25.0	18.4	17.50	14.50	
			2	1175	35.0	25.2		12.25	

For notes, see Page 22.

COOLING CAPACITY - With High Efficiency Motor Furnaces (Continued)

UNIT MODEL	FURNACE		COIL ¹ MODEL	COOLING					
	MODEL	WIDTH		STAGE	RATED CFM	NET MBH		SEER	EER
						TOTAL	SENS.		
18 SEER HP WITH HIGH EFFICIENCY MOTOR FURNACES²									
YZH03611(C)	TM8X080C16MP11	21.0	FC/MC/PC60D	1	800	24.6	18.1	17.50	14.50
				2	1175	35.4	25.6		12.25
	TM8X080C16MP11	21.0	FC/MC62D	1	785	24.6	17.9	17.25	14.25
				2	1175	35.6	26.0		12.50
	TM8X080C16MP11	21.0	FC/PC60C	1	790	24.6	18.0	17.50	14.50
				2	1175	35.4	25.6		12.85
	TM8X080C16MP11	21.0	FC64D	1	795	25.6	18.8	18.00	15.00
				2	1175	36.4	27.0		12.75
	TM8X080C16MP11	21.0	UC48C	1	775	24.0	17.5	17.20	14.40
				2	1150	34.8	25.4		12.65
	TM8X080C16MP11	21.0	UC48D	1	805	24.0	17.5	17.00	14.00
				2	1175	34.8	25.4		12.25
	TM8X080C16MP11	21.0	UC60C	1	790	24.4	17.9	17.25	14.25
				2	1175	35.2	25.4		12.80
	TM8X080C16MP11	21.0	UC60D	1	800	24.4	17.9	17.25	14.25
				2	1175	35.2	25.4		12.25
	TM8X100C16MP11	21.0	FC/MC/PC43C	1	775	24.4	17.7	17.00	14.30
				2	1150	34.8	25.0		12.65
	TM8X100C16MP11	21.0	FC/MC/PC48C	1	775	24.6	17.9	17.25	14.40
				2	1150	35.2	25.4		12.80
	TM8X100C16MP11	21.0	FC/MC/PC48D	1	805	25.0	18.4	17.50	14.50
				2	1175	35.0	25.2		12.25
	TM8X100C16MP11	21.0	FC/MC/PC60D	1	800	24.6	18.1	17.50	14.50
				2	1175	35.4	25.6		12.25
	TM8X100C16MP11	21.0	FC/MC62D	1	785	24.6	17.9	17.25	14.25
				2	1175	35.6	26.0		12.50
	TM8X100C16MP11	21.0	FC/PC60C	1	790	24.6	18.0	17.50	14.50
				2	1175	35.4	25.6		12.85
	TM8X100C16MP11	21.0	FC64D	1	795	25.6	18.8	18.00	15.00
				2	1175	36.4	27.0		12.75
	TM8X100C16MP11	21.0	UC48C	1	775	24.0	17.5	17.20	14.40
				2	1150	34.8	25.4		12.65
	TM8X100C16MP11	21.0	UC48D	1	805	24.0	17.5	17.00	14.00
				2	1175	34.8	25.4		12.25
	TM8X100C16MP11	21.0	UC60C	1	790	24.4	17.9	17.25	14.25
				2	1175	35.2	25.4		12.80
	TM8X100C16MP11	21.0	UC60D	1	800	24.4	17.9	17.25	14.25
				2	1175	35.2	25.4		12.25
	TM9E060B12MP11	17.5	FC/MC/PC43B	1	730	24.0	17.2	17.00	14.40
				2	1125	34.6	24.8		12.10
	TM9E080B12MP11	17.5	FC/MC/PC43B	1	730	24.0	17.2	17.00	14.40
				2	1125	34.6	24.8		12.10
	TM9E080C16MP11	21.0	FC/MC/PC48D	1	775	24.6	17.8	17.25	14.25
				2	1175	35.2	25.6		12.00
	TM9E080C16MP11	21.0	FC/MC62D	1	765	24.6	17.9	17.25	14.25
				2	1175	35.4	26.0		12.25
	TM9E080C16MP11	21.0	FC64D	1	775	25.4	18.6	18.00	14.75
				2	1175	36.4	26.8		12.50
TM9E080C16MP11	21.0	UC48D	1	775	24.0	17.5	17.00	14.00	
			2	1175	34.6	25.2		12.00	
TM9E100C16MP11	21.0	FC/MC/PC48D	1	775	24.6	17.8	17.25	14.25	
			2	1175	35.2	25.6		12.00	

For notes, see Page 22.

COOLING CAPACITY - With High Efficiency Motor Furnaces (Continued)

UNIT MODEL	FURNACE		COIL ¹ MODEL	COOLING				SEER	EER
	MODEL	WIDTH		STAGE	RATED CFM	NET MBH			
						TOTAL	SENS.		
18 SEER HP WITH HIGH EFFICIENCY MOTOR FURNACES²									
YZH03611(C)	TM9E100C16MP11	21.0	FC/MC62D	1	765	24.6	17.9	17.25	14.25
				2	1175	35.4	26.0		12.25
	TM9E100C16MP11	21.0	FC64D	1	775	25.4	18.6	17.75	14.75
				2	1175	36.4	26.8		12.50
	TM9E100C16MP11	21.0	UC48D	1	775	24.0	17.5	16.75	14.00
				2	1175	34.6	25.2		12.00
	TM9X060B12MP11	17.5	FC/MC/PC43B	1	730	24.0	17.2	17.00	14.40
				2	1125	34.6	24.8		12.10
	TM9X080B12MP11	17.5	FC/MC/PC43B	1	730	24.0	17.2	17.00	14.40
				2	1125	34.6	24.8		12.10
	TM9X080C16MP11	21.0	FC/MC/PC48D	1	775	24.6	17.8	17.25	14.25
				2	1175	35.2	25.6		12.00
	TM9X080C16MP11	21.0	FC/MC62D	1	765	24.6	17.9	17.25	14.25
				2	1175	35.4	26.0		12.25
	TM9X080C16MP11	21.0	FC64D	1	775	25.4	18.6	18.00	14.75
				2	1175	36.4	26.8		12.50
	TM9X080C16MP11	21.0	UC48D	1	775	24.0	17.5	17.00	14.00
				2	1175	34.6	25.2		12.00
	TM9X100C16MP11	21.0	FC/MC/PC48D	1	775	24.6	17.8	17.25	14.25
				2	1175	35.2	25.6		12.00
	TM9X100C16MP11	21.0	FC/MC62D	1	765	24.6	17.9	17.25	14.25
				2	1175	35.4	26.0		12.25
	TM9X100C16MP11	21.0	FC64D	1	775	25.4	18.6	17.75	14.75
				2	1175	36.4	26.8		12.50
	TM9X100C16MP11	21.0	UC48D	1	775	24.0	17.5	16.75	14.00
				2	1175	34.6	25.2		12.00
	TMLX060A12MP11	14.5	FC/MC/PC37A	1	770	24.4	17.7	17.00	14.40
				2	1125	34.6	24.6		12.10
	TMLX080B12MP11	17.5	FC/MC/PC43B	1	805	24.4	17.7	17.00	14.40
				2	1175	34.6	24.8		12.10
	TMLX080C16MP11	21.0	FC/MC/PC43C	1	775	24.4	17.7	17.00	14.30
				2	1150	34.8	25.0		12.65
	TMLX080C16MP11	21.0	FC/MC/PC48C	1	775	24.6	17.9	17.25	14.40
				2	1150	35.2	25.4		12.80
	TMLX080C16MP11	21.0	FC/MC/PC48D	1	805	25.0	18.4	17.50	14.50
				2	1175	35.0	25.2		12.25
	TMLX080C16MP11	21.0	FC/MC/PC60D	1	800	24.6	18.1	17.50	14.50
				2	1175	35.4	25.6		12.25
	TMLX080C16MP11	21.0	FC/MC62D	1	785	24.6	17.9	17.25	14.25
				2	1175	35.6	26.0		12.50
	TMLX080C16MP11	21.0	FC/PC60C	1	790	24.6	18.0	17.50	14.50
				2	1175	35.4	25.6		12.85
	TMLX080C16MP11	21.0	FC64D	1	795	25.6	18.8	18.00	15.00
				2	1175	36.4	27.0		12.75
	TMLX080C16MP11	21.0	UC48C	1	775	24.0	17.5	17.20	14.40
				2	1150	34.8	25.4		12.65
	TMLX080C16MP11	21.0	UC48D	1	805	24.0	17.5	17.00	14.00
				2	1175	34.8	25.4		12.25
TMLX080C16MP11	21.0	UC60C	1	790	24.4	17.9	17.25	14.25	
			2	1175	35.2	25.4		12.80	
TMLX080C16MP11	21.0	UC60D	1	800	24.4	17.9	17.25	14.25	
			2	1175	35.2	25.4		12.25	

For notes, see Page 22.

COOLING CAPACITY - With High Efficiency Motor Furnaces (Continued)

UNIT MODEL	FURNACE		COIL ¹ MODEL	COOLING					
	MODEL	WIDTH		STAGE	RATED CFM	NET MBH		SEER	EER
						TOTAL	SENS.		
18 SEER HP WITH HIGH EFFICIENCY MOTOR FURNACES²									
YZH03611(C)	TMLX100C16MP11	21.0	FC/MC/PC43C	1	775	24.4	17.7	17.00	14.30
				2	1150	34.8	25.0		12.65
	TMLX100C16MP11	21.0	FC/MC/PC48C	1	775	24.6	17.9	17.25	14.40
				2	1150	35.2	25.4		12.80
	TMLX100C16MP11	21.0	FC/MC/PC48D	1	805	25.0	18.4	17.50	14.50
				2	1175	35.0	25.2		12.25
	TMLX100C16MP11	21.0	FC/MC/PC60D	1	800	24.6	18.1	17.50	14.50
				2	1175	35.4	25.6		12.25
	TMLX100C16MP11	21.0	FC/MC62D	1	785	24.6	17.9	17.25	14.25
				2	1175	35.6	26.0		12.50
	TMLX100C16MP11	21.0	FC/PC60C	1	790	24.6	18.0	17.50	14.50
				2	1175	35.4	25.6		12.85
	TMLX100C16MP11	21.0	FC64D	1	795	25.6	18.8	18.00	15.00
				2	1175	36.4	27.0		12.75
	TMLX100C16MP11	21.0	UC48C	1	775	24.0	17.5	17.20	14.40
				2	1150	34.8	25.4		12.65
	TMLX100C16MP11	21.0	UC48D	1	805	24.0	17.5	17.00	14.00
				2	1175	34.8	25.4		12.25
	TMLX100C16MP11	21.0	UC60C	1	790	24.4	17.9	17.25	14.25
				2	1175	35.2	25.4		12.80
	TMLX100C16MP11	21.0	UC60D	1	800	24.4	17.9	17.25	14.25
				2	1175	35.2	25.4		12.25
	Y*(8,L)C*A12	14.5	FC/MC/PC37A	1	730	24.0	17.0	16.70	14.10
				2	1150	33.6	24.0		12.15
	Y*(8,L)C*B12	17.5	FC/MC/PC43B	1	860	24.6	18.1	17.00	14.30
				2	1270	34.6	26.2		12.10
	Y*(8,L)C*C16	21.0	FC/MC/PC43C	1	800	25.0	18.8	17.30	14.55
				2	1205	35.2	26.6		12.80
	Y*(8,L)C*C16	21.0	FC/MC/PC48C	1	725	24.4	18.7	17.30	14.50
				2	1195	34.8	26.6		13.00
	Y*(8,L)C*C16	21.0	FC/PC60C	1	710	24.6	18.9	17.30	14.30
				2	1185	34.8	26.8		13.15
	Y*(8,L)C*C16	21.0	UC48C	1	810	25.2	19.2	17.60	14.80
				2	1210	35.0	26.8		12.80
	Y*(8,L)C*C16	21.0	UC60C	1	810	25.2	18.8	17.40	14.80
				2	1195	35.0	26.4		13.00
	Y*(8,L)C*C20	21.0	FC/MC/PC43C	1	740	24.8	18.1	17.30	14.60
				2	1190	35.2	26.6		12.90
	Y*(8,L)C*C20	21.0	FC/MC/PC48C	1	715	24.2	17.8	17.20	14.50
				2	1150	34.8	26.2		13.15
Y*(8,L)C*C20	21.0	FC/PC60C	1	800	24.4	18.6	17.30	14.80	
			2	1215	34.8	27.0		13.00	
Y*(8,L)C*C20	21.0	UC48C	1	720	24.6	18.1	17.40	14.60	
			2	1155	34.8	26.4		12.90	
Y*(8,L)C*C20	21.0	UC60C	1	800	25.2	18.8	17.40	14.80	
			2	1215	35.0	26.4		12.90	
Y*9C*B12	17.5	FC/MC/PC43B	1	815	25.0	18.8	17.00	14.25	
			2	1200	34.6	26.2		12.20	
Y*9C*C16	21.0	FC/MC/PC43C	1	815	25.2	18.9	17.10	14.55	
			2	1240	35.0	26.8		12.40	
Y*9C*C16	21.0	FC/MC/PC48C	1	780	24.4	18.7	17.30	14.35	
			2	1195	34.8	26.6		12.70	

For notes, see Page 22.

COOLING CAPACITY - With High Efficiency Motor Furnaces (Continued)

UNIT MODEL	FURNACE		COIL ¹ MODEL	COOLING				SEER	EER
	MODEL	WIDTH		STAGE	RATED CFM	NET MBH			
						TOTAL	SENS.		
18 SEER HP WITH HIGH EFFICIENCY MOTOR FURNACES²									
YZH03611(C)	Y*9C*C16	21.0	FC/PC60C	1	810	24.2	18.7	17.00	14.10
				2	1235	34.4	26.8		12.40
	Y*9C*C16	21.0	UC48C	1	780	25.0	18.8	17.40	14.55
				2	1195	34.8	26.8		12.70
	Y*9C*C16	21.0	UC60C	1	810	25.2	18.8	17.40	14.55
				2	1235	34.8	26.2		12.50
	Y*9C*C20	21.0	FC/MC/PC43C	1	780	25.0	18.5	17.30	14.55
				2	1200	35.0	26.6		12.70
	Y*9C*C20	21.0	FC/MC/PC48C	1	745	24.2	18.0	17.00	14.25
				2	1305	35.0	27.6		12.40
	Y*9C*C20	21.0	FC/PC60C	1	770	24.2	18.3	17.10	14.25
				2	1305	35.0	27.8		12.50
	Y*9C*C20	21.0	UC48C	1	755	24.8	18.4	17.20	14.45
				2	1330	35.6	28.0		12.50
	Y*9C*C20	21.0	UC60C	1	770	24.8	18.3	17.20	14.45
				2	1325	35.4	27.6		12.60
	Y*9C*D20	24.5	FC/MC/PC60D	1	830	24.4	19.0	17.10	14.35
				2	1225	34.8	27.0		12.80
	Y*9C*D20	24.5	FC/MC62D	1	835	25.6	19.5	17.50	14.90
				2	1235	35.8	27.4		13.00
Y*9C*D20	24.5	FC64D	1	835	26.0	20.2	17.75	15.15	
			2	1235	36.0	28.2		13.20	
Y*9C*D20	24.5	UC60D	1	830	25.2	18.8	17.40	14.65	
			2	1225	35.0	26.4		12.80	
YZH04811(C)	T*(8,L)C*C16	21.0	FC/MC/PC48C	1	1120	33.6	25.0	16.60	13.60
				2	1565	46.0	34.6		11.50
	T*(8,L)C*C16	21.0	FC/PC60C	1	1025	33.2	24.6	16.35	13.45
				2	1600	46.5	35.0		11.80
	T*(8,L)C*C16	21.0	FC64D	1	1025	34.0	25.8	17.00	13.90
				2	1635	47.5	37.6		12.00
	T*(8,L)C*C16	21.0	UC48C	1	1035	33.0	25.0	16.40	13.35
				2	1615	46.5	35.6		11.80
	T*(8,L)C*C16	21.0	UC60C	1	1035	33.2	24.6	16.40	13.55
				2	1625	46.0	35.2		11.90
	T*(8,L)C*C20	21.0	FC/MC/PC48C	1	1080	33.6	25.6	16.30	14.60
				2	1640	46.5	35.6		11.80
	T*(8,L)C*C20	21.0	FC/MC62D	1	1015	33.0	24.8	16.80	13.60
				2	1615	46.5	36.2		12.35
	T*(8,L)C*C20	21.0	FC/PC60C	1	1060	33.2	25.0	16.50	13.55
				2	1620	46.5	35.4		11.85
	T*(8,L)C*C20	21.0	FC64D	1	1060	34.0	25.6	17.00	14.05
				2	1645	47.0	37.2		12.30
	T*(8,L)C*C20	21.0	UC48C	1	1080	33.6	25.6	16.30	13.45
				2	1640	46.5	35.6		11.80
T*(8,L)C*C20	21.0	UC60C	1	1015	33.2	24.4	16.60	13.70	
			2	1605	46.5	35.4		12.10	
T*(8,L)V*C16	21.0	FC/MC/PC48C	1	1120	33.6	25.0	16.60	13.60	
			2	1565	46.0	34.6		11.50	
T*(8,L)V*C16	21.0	FC/PC60C	1	1025	33.2	24.6	16.35	13.45	
			2	1600	46.5	35.0		11.80	
T*(8,L)V*C16	21.0	FC64D	1	1025	34.0	25.8	17.00	13.90	
			2	1635	47.5	37.6		12.00	

For notes, see Page 22.

COOLING CAPACITY - With High Efficiency Motor Furnaces (Continued)

UNIT MODEL	FURNACE		COIL ¹ MODEL	COOLING					
	MODEL	WIDTH		STAGE	RATED CFM	NET MBH		SEER	EER
						TOTAL	SENS.		
18 SEER HP WITH HIGH EFFICIENCY MOTOR FURNACES²									
YZH04811(C)	T*(8,L)V*C16	21.0	UC48C	1	1035	33.0	25.0	16.40	13.35
				2	1615	46.5	35.6		11.80
	T*(8,L)V*C16	21.0	UC60C	1	1035	33.2	24.6	16.40	13.55
				2	1625	46.0	35.2		11.90
	T*(8,L)V*C20	21.0	FC/MC/PC48C	1	1080	33.6	25.6	16.30	14.60
				2	1640	46.5	35.6		11.80
	T*(8,L)V*C20	21.0	FC/MC62D	1	1060	33.0	24.8	16.80	13.60
				2	1620	46.5	36.2		12.00
	T*(8,L)V*C20	21.0	FC/PC60C	1	1060	33.2	25.0	16.50	13.55
				2	1620	46.5	35.4		11.85
	T*(8,L)V*C20	21.0	FC64D	1	1060	34.0	25.6	17.00	14.05
				2	1645	47.0	37.2		12.30
	T*(8,L)V*C20	21.0	UC48C	1	1080	33.6	25.6	16.30	13.45
				2	1640	46.5	35.6		11.80
	T*(8,L)V*C20	21.0	UC60C	1	1015	33.2	24.4	16.60	13.70
				2	1605	46.5	35.4		12.10
	T*9(C,V)*C16	21.0	FC/MC/PC48C	1	1050	33.4	25.2	16.40	13.40
				2	1590	46.0	35.2		11.70
	T*9(C,V)*C16	21.0	FC/PC60C	1	1050	33.2	25.2	16.30	13.30
				2	1590	46.5	36.0		11.80
	T*9(C,V)*C16	21.0	FC64D	1	1040	34.0	25.8	16.75	13.75
				2	1590	47.0	36.8		11.80
	T*9(C,V)*C16	21.0	UC48C	1	1050	33.6	25.2	16.30	13.45
				2	1590	46.5	35.4		11.70
	T*9(C,V)*C16	21.0	UC60C	1	1050	33.0	24.6	16.10	13.20
				2	1590	46.0	35.2		11.70
	T*9(C,V)*C20	21.0	FC/MC/PC48C	1	1055	33.6	25.2	16.50	13.60
				2	1655	46.0	35.2		11.70
	T*9(C,V)*C20	21.0	FC/PC60C	1	1055	33.4	25.4	16.40	13.50
				2	1655	46.5	36.0		11.80
	T*9(C,V)*C20	21.0	FC64D	1	1040	34.0	25.8	16.75	13.75
				2	1655	47.0	37.4		11.80
	T*9(C,V)*C20	21.0	UC48C	1	1055	33.2	25.2	16.40	13.45
				2	1655	46.5	35.4		11.70
	T*9(C,V)*C20	21.0	UC60C	1	1055	33.2	24.8	16.20	13.45
				2	1655	46.0	35.2		11.70
	T*9(C,V)*D20	24.5	FC/MC/PC48D	1	1060	33.6	25.2	16.40	13.45
				2	1645	46.5	35.6		11.70
	T*9(C,V)*D20	24.5	FC/MC/PC60D	1	1070	33.4	25.6	16.40	13.40
				2	1615	46.5	35.8		11.80
	T*9(C,V)*D20	24.5	FC/MC62D	1	1085	33.6	25.6	17.00	13.45
				2	1630	46.5	36.2		12.00
T*9(C,V)*D20	24.5	FC64D	1	1085	34.4	26.6	17.00	14.50	
			2	1630	47.0	37.4		12.10	
T*9(C,V)*D20	24.5	UC48D	1	1060	33.0	25.2	16.30	13.20	
			2	1645	46.5	35.4		11.70	
T*9(C,V)*D20	24.5	UC60D	1	1070	33.2	24.8	16.30	13.30	
			2	1615	46.0	35.2		11.80	
TM8X080C16MP11	21.0	FC/MC/PC48C	1	1030	32.9	23.5	16.60	13.80	
			2	1525	45.5	33.9		11.80	
TM8X080C16MP11	21.0	FC/MC/PC48D	1	1045	32.9	23.5	16.50	13.25	
			2	1550	45.5	33.9		11.50	

For notes, see Page 22.

COOLING CAPACITY - With High Efficiency Motor Furnaces (Continued)

UNIT MODEL	FURNACE		COIL ¹ MODEL	COOLING					
	MODEL	WIDTH		STAGE	RATED CFM	NET MBH		SEER	EER
						TOTAL	SENS.		
18 SEER HP WITH HIGH EFFICIENCY MOTOR FURNACES²									
YZH04811(C)	TM8X080C16MP11	21.0	FC/MC/PC60D	1	1045	32.9	23.5	16.50	13.50
				2	1550	45.0	33.7		11.25
	TM8X080C16MP11	21.0	FC/MC62D	1	1040	33.1	23.9	16.40	13.75
				2	1550	45.5	34.1		11.85
	TM8X080C16MP11	21.0	FC/PC60C	1	1020	32.9	23.5	16.60	13.65
				2	1525	45.0	33.7		11.75
	TM8X080C16MP11	21.0	FC64D	1	1045	33.7	24.7	17.00	13.90
				2	1550	46.0	34.8		12.00
	TM8X080C16MP11	21.0	UC48C	1	1030	32.9	23.5	16.40	13.65
				2	1525	44.5	32.9		11.70
	TM8X080C16MP11	21.0	UC48D	1	1045	32.9	23.5	16.25	13.25
				2	1550	45.0	32.9		11.25
	TM8X080C16MP11	21.0	UC60C	1	1020	32.5	23.1	16.40	13.45
				2	1525	44.5	32.7		11.65
	TM8X080C16MP11	21.0	UC60D	1	1045	32.5	23.1	16.00	13.00
				2	1550	44.5	32.7		11.25
	TM8X100C16MP11	21.0	FC/MC/PC48C	1	1030	32.9	23.5	16.60	13.80
				2	1525	45.5	33.9		11.80
	TM8X100C16MP11	21.0	FC/MC/PC48D	1	1045	32.9	23.5	16.50	13.25
				2	1550	45.5	33.9		11.50
	TM8X100C16MP11	21.0	FC/MC/PC60D	1	1045	32.9	23.5	16.50	13.50
				2	1550	45.0	33.7		11.25
	TM8X100C16MP11	21.0	FC/MC62D	1	1040	33.1	23.9	16.40	13.75
				2	1550	45.5	34.1		11.85
	TM8X100C16MP11	21.0	FC/PC60C	1	1020	32.9	23.5	16.60	13.65
				2	1525	45.0	33.7		11.75
	TM8X100C16MP11	21.0	FC64D	1	1045	33.7	24.7	17.00	13.90
				2	1550	46.0	34.8		12.00
	TM8X100C16MP11	21.0	UC48C	1	1030	32.9	23.5	16.40	13.65
				2	1525	44.5	32.9		11.70
	TM8X100C16MP11	21.0	UC48D	1	1045	32.9	23.5	16.25	13.25
				2	1550	45.0	32.9		11.25
	TM8X100C16MP11	21.0	UC60C	1	1020	32.5	23.1	16.40	13.45
				2	1525	44.5	32.7		11.65
	TM8X100C16MP11	21.0	UC60D	1	1045	32.5	23.1	16.00	13.00
				2	1550	44.5	32.7		11.25
	TM8X100C20MP11	21.0	FC/MC/PC48C	1	1090	33.1	24.1	16.30	13.55
				2	1550	45.0	33.3		11.80
	TM8X100C20MP11	21.0	FC/MC/PC48D	1	1105	33.3	24.5	16.25	13.25
				2	1575	45.0	33.7		11.50
	TM8X100C20MP11	21.0	FC/MC/PC60D	1	1105	33.3	24.3	16.30	13.55
				2	1575	45.0	33.5		11.95
	TM8X100C20MP11	21.0	FC/MC62D	1	1100	33.3	24.7	16.45	13.55
				2	1575	45.5	34.4		12.05
	TM8X100C20MP11	21.0	FC/PC60C	1	1085	33.3	23.9	16.00	13.25
				2	1550	45.0	33.3		11.50
	TM8X100C20MP11	21.0	UC48C	1	1090	33.3	24.3	16.30	13.55
				2	1550	45.0	33.3		11.80
TM8X100C20MP11	21.0	UC48D	1	1105	33.5	24.5	16.25	13.25	
			2	1575	45.0	33.7		11.50	
TM8X100C20MP11	21.0	UC60C	1	1085	32.9	23.9	16.00	13.00	
			2	1550	45.0	33.1		11.25	

For notes, see Page 22.

COOLING CAPACITY - With High Efficiency Motor Furnaces (Continued)

UNIT MODEL	FURNACE		COIL ¹ MODEL	COOLING					
	MODEL	WIDTH		STAGE	RATED CFM	NET MBH		SEER	EER
						TOTAL	SENS.		
18 SEER HP WITH HIGH EFFICIENCY MOTOR FURNACES²									
YZH04811(C)	TM8X100C20MP11	21.0	UC60D	1	1105	33.1	24.1	16.40	13.40
				2	1575	45.0	33.3		11.90
	TM8X120C20MP11	21.0	FC/MC/PC48C	1	1090	33.1	24.1	16.30	13.55
				2	1550	45.0	33.3		11.80
	TM8X120C20MP11	21.0	FC/MC/PC48D	1	1105	33.3	24.5	16.25	13.25
				2	1575	45.0	33.7		11.50
	TM8X120C20MP11	21.0	FC/MC/PC60D	1	1105	33.3	24.3	16.30	13.55
				2	1575	45.0	33.5		11.95
	TM8X120C20MP11	21.0	FC/MC62D	1	1100	33.3	24.7	16.45	13.55
				2	1575	45.5	34.4		12.05
	TM8X120C20MP11	21.0	FC/PC60C	1	1085	33.3	23.9	16.00	13.25
				2	1550	45.0	33.3		11.50
	TM8X120C20MP11	21.0	UC48C	1	1090	33.3	24.3	16.30	13.55
				2	1550	45.0	33.3		11.80
	TM8X120C20MP11	21.0	UC48D	1	1105	33.5	24.5	16.25	13.25
				2	1575	45.0	33.7		11.50
	TM8X120C20MP11	21.0	UC60C	1	1085	32.9	23.9	16.00	13.00
				2	1550	45.0	33.1		11.25
	TM8X120C20MP11	21.0	UC60D	1	1105	33.1	24.1	16.40	13.40
				2	1575	45.0	33.3		11.90
	TM9E100C20MP11	21.0	FC/MC/PC48C	1	945	32.1	22.5	16.40	13.40
				2	1500	44.5	32.7		11.55
	TM9E100C20MP11	21.0	FC/MC/PC48D	1	960	32.3	22.7	16.00	13.00
				2	1525	44.5	32.9		11.25
	TM9E100C20MP11	21.0	FC/MC/PC60D	1	960	32.3	22.7	16.00	13.00
				2	1525	44.5	32.9		11.25
	TM9E100C20MP11	21.0	FC/MC62D	1	985	32.7	23.3	16.70	13.65
				2	1550	45.5	34.1		11.90
	TM9E100C20MP11	21.0	FC64D	1	980	33.7	24.1	16.80	14.00
				2	1550	46.0	34.8		12.05
	TM9E100C20MP11	21.0	UC48C	1	945	32.3	22.7	16.40	13.45
				2	1500	44.5	32.7		11.60
	TM9E100C20MP11	21.0	UC48D	1	960	32.5	22.9	16.00	13.00
				2	1525	44.5	32.9		11.25
	TM9E100C20MP11	21.0	UC60D	1	960	32.1	22.5	16.00	13.00
				2	1525	44.5	32.7		11.25
	TM9E120D20MP11	24.5	FC/MC/PC48D	1	965	32.9	23.5	16.40	13.85
				2	1525	45.5	33.9		11.70
	TM9E120D20MP11	24.5	FC/MC/PC60D	1	980	32.9	23.5	16.40	13.90
				2	1550	45.0	33.7		11.80
	TM9E120D20MP11	24.5	FC/MC62D	1	980	32.7	23.3	16.40	13.70
				2	1550	45.5	34.1		11.90
TM9E120D20MP11	24.5	FC64D	1	960	33.3	23.7	17.00	13.50	
			2	1525	46.5	34.7		11.75	
TM9E120D20MP11	24.5	UC48D	1	965	32.7	22.9	16.30	13.65	
			2	1525	45.0	33.1		11.70	
TM9E120D20MP11	24.5	UC60D	1	980	32.5	23.1	16.30	13.45	
			2	1550	44.5	32.9		11.80	
TM9X100C20MP11	21.0	FC/MC/PC48C	1	945	32.1	22.5	16.40	13.40	
			2	1500	44.5	32.7		11.55	

For notes, see Page 22.

COOLING CAPACITY - With High Efficiency Motor Furnaces (Continued)

UNIT MODEL	FURNACE		COIL ¹ MODEL	COOLING				SEER	EER
	MODEL	WIDTH		STAGE	RATED CFM	NET MBH			
						TOTAL	SENS.		
18 SEER HP WITH HIGH EFFICIENCY MOTOR FURNACES²									
YZH04811(C)	TM9X100C20MP11	21.0	FC/MC/PC48D	1	960	32.3	22.7	16.00	13.00
				2	1525	44.5	32.9		11.25
	TM9X100C20MP11	21.0	FC/MC/PC60D	1	960	32.3	22.7	16.00	13.00
				2	1525	44.5	32.9		11.25
	TM9X100C20MP11	21.0	FC/MC62D	1	985	32.7	23.3	16.70	13.65
				2	1550	45.5	34.1		11.90
	TM9X100C20MP11	21.0	FC64D	1	980	33.7	24.1	16.80	14.00
				2	1550	46.0	34.8		12.05
	TM9X100C20MP11	21.0	UC48C	1	945	32.3	22.7	16.40	13.45
				2	1500	44.5	32.7		11.60
	TM9X100C20MP11	21.0	UC48D	1	960	32.5	22.9	16.00	13.00
				2	1525	44.5	32.9		11.25
	TM9X100C20MP11	21.0	UC60D	1	960	32.1	22.5	16.00	13.00
				2	1525	44.5	32.7		11.25
	TM9X120D20MP11	24.5	FC/MC/PC48D	1	965	32.9	23.5	16.40	13.85
				2	1525	45.5	33.9		11.70
	TM9X120D20MP11	24.5	FC/MC/PC60D	1	980	32.9	23.5	16.40	13.90
				2	1550	45.0	33.7		11.80
	TM9X120D20MP11	24.5	FC/MC62D	1	980	32.7	23.3	16.40	13.70
				2	1550	45.5	34.1		11.90
	TM9X120D20MP11	24.5	FC64D	1	960	33.3	23.7	17.00	13.50
				2	1525	46.5	34.7		11.75
	TM9X120D20MP11	24.5	UC48D	1	965	32.7	22.9	16.30	13.65
				2	1525	45.0	33.1		11.70
	TM9X120D20MP11	24.5	UC60D	1	980	32.5	23.1	16.30	13.45
				2	1550	44.5	32.9		11.80
	TMLX080C16MP11	21.0	FC/MC/PC48C	1	1030	32.9	23.5	16.60	13.80
				2	1525	45.5	33.9		11.80
	TMLX080C16MP11	21.0	FC/MC/PC48D	1	1045	32.9	23.5	16.50	13.25
				2	1550	45.5	33.9		11.50
	TMLX080C16MP11	21.0	FC/MC/PC60D	1	1045	32.9	23.5	16.50	13.50
				2	1550	45.0	33.7		11.25
	TMLX080C16MP11	21.0	FC/MC62D	1	1040	33.1	23.9	16.40	13.75
				2	1550	45.5	34.1		11.85
	TMLX080C16MP11	21.0	FC/PC60C	1	1020	32.9	23.5	16.60	13.65
				2	1525	45.0	33.7		11.75
	TMLX080C16MP11	21.0	FC64D	1	1045	33.7	24.7	17.00	13.90
				2	1550	46.0	34.8		12.00
	TMLX080C16MP11	21.0	UC48C	1	1030	32.9	23.5	16.40	13.65
				2	1525	44.5	32.9		11.70
TMLX080C16MP11	21.0	UC48D	1	1045	32.9	23.5	16.25	13.25	
			2	1550	45.0	32.9		11.25	
TMLX080C16MP11	21.0	UC60C	1	1020	32.5	23.1	16.40	13.45	
			2	1525	44.5	32.7		11.65	
TMLX080C16MP11	21.0	UC60D	1	1045	32.5	23.1	16.00	13.00	
			2	1550	44.5	32.7		11.25	
TMLX100C16MP11	21.0	FC/MC/PC48C	1	1030	32.9	23.5	16.60	13.80	
			2	1525	45.5	33.9		11.80	
TMLX100C16MP11	21.0	FC/MC/PC48D	1	1045	32.9	23.5	16.50	13.25	
			2	1550	45.5	33.9		11.50	
TMLX100C16MP11	21.0	FC/MC/PC60D	1	1045	32.9	23.5	16.50	13.50	
			2	1550	45.0	33.7		11.25	

For notes, see Page 22.

COOLING CAPACITY - With High Efficiency Motor Furnaces (Continued)

UNIT MODEL	FURNACE		COIL ¹ MODEL	COOLING					
	MODEL	WIDTH		STAGE	RATED CFM	NET MBH		SEER	EER
						TOTAL	SENS.		
18 SEER HP WITH HIGH EFFICIENCY MOTOR FURNACES²									
YZH04811(C)	TMLX100C16MP11	21.0	FC/MC62D	1	1040	33.1	23.9	16.40	13.75
				2	1550	45.5	34.1		11.85
	TMLX100C16MP11	21.0	FC/PC60C	1	1020	32.9	23.5	16.60	13.65
				2	1525	45.0	33.7		11.75
	TMLX100C16MP11	21.0	FC64D	1	1045	33.7	24.7	17.00	13.90
				2	1550	46.0	34.8		12.00
	TMLX100C16MP11	21.0	UC48C	1	1030	32.9	23.5	16.40	13.65
				2	1525	44.5	32.9		11.70
	TMLX100C16MP11	21.0	UC48D	1	1045	32.9	23.5	16.25	13.25
				2	1550	45.0	32.9		11.25
	TMLX100C16MP11	21.0	UC60C	1	1020	32.5	23.1	16.40	13.45
				2	1525	44.5	32.7		11.65
	TMLX100C16MP11	21.0	UC60D	1	1045	32.5	23.1	16.00	13.00
				2	1550	44.5	32.7		11.25
	TMLX100C20MP11	21.0	FC/MC/PC48C	1	1090	33.1	24.1	16.30	13.55
				2	1550	45.0	33.3		11.80
	TMLX100C20MP11	21.0	FC/MC/PC48D	1	1105	33.3	24.5	16.25	13.25
				2	1575	45.0	33.7		11.50
	TMLX100C20MP11	21.0	FC/MC/PC60D	1	1105	33.3	24.3	16.30	13.55
				2	1575	45.0	33.5		11.95
	TMLX100C20MP11	21.0	FC/MC62D	1	1100	33.3	24.7	16.45	13.55
				2	1575	45.5	34.4		12.05
	TMLX100C20MP11	21.0	FC/PC60C	1	1085	33.3	23.9	16.00	13.25
				2	1550	45.0	33.3		11.50
	TMLX100C20MP11	21.0	UC48C	1	1090	33.3	24.3	16.30	13.55
				2	1550	45.0	33.3		11.80
	TMLX100C20MP11	21.0	UC48D	1	1105	33.5	24.5	16.25	13.25
				2	1575	45.0	33.7		11.50
	TMLX100C20MP11	21.0	UC60C	1	1085	32.9	23.9	16.00	13.00
				2	1550	45.0	33.1		11.25
	TMLX100C20MP11	21.0	UC60D	1	1105	33.1	24.1	16.40	13.40
				2	1575	45.0	33.3		11.90
	TMLX120C20MP11	21.0	FC/MC/PC48C	1	1090	33.1	24.1	16.30	13.55
				2	1550	45.0	33.3		11.80
	TMLX120C20MP11	21.0	FC/MC/PC48D	1	1105	33.3	24.5	16.25	13.25
				2	1575	45.0	33.7		11.50
	TMLX120C20MP11	21.0	FC/MC/PC60D	1	1105	33.3	24.3	16.30	13.55
				2	1575	45.0	33.5		11.95
	TMLX120C20MP11	21.0	FC/MC62D	1	1100	33.3	24.7	16.45	13.55
				2	1575	45.5	34.4		12.05
	TMLX120C20MP11	21.0	FC/PC60C	1	1085	33.3	23.9	16.00	13.25
				2	1550	45.0	33.3		11.50
	TMLX120C20MP11	21.0	UC48C	1	1090	33.3	24.3	16.30	13.55
				2	1550	45.0	33.3		11.80
	TMLX120C20MP11	21.0	UC48D	1	1105	33.5	24.5	16.25	13.25
				2	1575	45.0	33.7		11.50
	TMLX120C20MP11	21.0	UC60C	1	1085	32.9	23.9	16.00	13.00
				2	1550	45.0	33.1		11.25
	TMLX120C20MP11	21.0	UC60D	1	1105	33.1	24.1	16.40	13.40
				2	1575	45.0	33.3		11.90
	Y*(8,L)C*C16	21.0	FC/MC/PC48C	1	1120	33.6	25.0	16.60	13.60
				2	1565	46.0	34.6		11.50

For notes, see Page 22.

COOLING CAPACITY - With High Efficiency Motor Furnaces (Continued)

UNIT MODEL	FURNACE		COIL ¹ MODEL	COOLING				SEER	EER
	MODEL	WIDTH		STAGE	RATED CFM	NET MBH			
						TOTAL	SENS.		
18 SEER HP WITH HIGH EFFICIENCY MOTOR FURNACES²									
YZH04811(C)	Y*(8,L)C*C16	21.0	FC/PC60C	1	1025	33.2	24.6	16.35	13.45
				2	1600	46.5	35.0		11.80
	Y*(8,L)C*C16	21.0	FC64D	1	1025	34.0	25.8	17.00	13.90
				2	1635	47.5	37.6		12.00
	Y*(8,L)C*C16	21.0	UC48C	1	1035	33.0	25.0	16.40	13.35
				2	1615	46.5	35.6		11.80
	Y*(8,L)C*C16	21.0	UC60C	1	1035	33.2	24.6	16.40	13.55
				2	1625	46.0	35.2		11.90
	Y*(8,L)C*C20	21.0	FC/MC/PC48C	1	1080	33.6	25.6	16.30	14.60
				2	1640	46.5	35.6		11.80
	Y*(8,L)C*C20	21.0	FC/MC62D	1	1060	33.0	24.8	16.80	13.60
				2	1620	46.5	36.2		12.00
	Y*(8,L)C*C20	21.0	FC/PC60C	1	1060	33.2	25.0	16.50	13.55
				2	1620	46.5	35.4		11.85
	Y*(8,L)C*C20	21.0	FC64D	1	1060	34.0	25.6	17.00	14.05
				2	1645	47.0	37.2		12.30
	Y*(8,L)C*C20	21.0	UC48C	1	1080	33.6	25.6	16.30	13.45
				2	1640	46.5	35.6		11.80
	Y*(8,L)C*C20	21.0	UC60C	1	1015	33.2	24.4	16.60	13.70
				2	1605	46.5	35.4		12.10
	Y*9C*C16	21.0	FC/MC/PC48C	1	1050	33.4	25.2	16.40	13.40
				2	1590	46.0	35.2		11.70
	Y*9C*C16	21.0	FC/PC60C	1	1050	33.2	25.2	16.30	13.30
				2	1590	46.5	36.0		11.80
	Y*9C*C16	21.0	FC64D	1	1040	34.0	25.8	16.75	13.75
				2	1590	47.0	36.8		11.80
	Y*9C*C16	21.0	UC48C	1	1050	33.6	25.2	16.30	13.45
				2	1590	46.5	35.4		11.70
	Y*9C*C16	21.0	UC60C	1	1050	33.0	24.6	16.10	13.20
				2	1590	46.0	35.2		11.70
	Y*9C*C20	21.0	FC/MC/PC48C	1	1055	33.6	25.2	16.50	13.60
				2	1655	46.0	35.2		11.70
	Y*9C*C20	21.0	FC/PC60C	1	1055	33.4	25.4	16.40	13.50
				2	1655	46.5	36.0		11.80
	Y*9C*C20	21.0	FC64D	1	1040	34.0	25.8	16.75	13.75
				2	1655	47.0	37.4		11.80
	Y*9C*C20	21.0	UC48C	1	1055	33.2	25.2	16.40	13.45
				2	1655	46.5	35.4		11.70
	Y*9C*C20	21.0	UC60C	1	1055	33.2	24.8	16.20	13.45
				2	1655	46.0	35.2		11.70
Y*9C*D20	24.5	FC/MC/PC48D	1	1060	33.6	25.2	16.40	13.45	
			2	1645	46.5	35.6		11.70	
Y*9C*D20	24.5	FC/MC/PC60D	1	1070	33.4	25.6	16.40	13.40	
			2	1615	46.5	35.8		11.80	
Y*9C*D20	24.5	FC/MC62D	1	1085	33.6	25.6	17.00	13.45	
			2	1630	46.5	36.2		12.00	
Y*9C*D20	24.5	FC64D	1	1085	34.4	26.6	17.00	14.50	
			2	1630	47.0	37.4		12.10	
Y*9C*D20	24.5	UC48D	1	1060	33.0	25.2	16.30	13.20	
			2	1645	46.5	35.4		11.70	
Y*9C*D20	24.5	UC60D	1	1070	33.2	24.8	16.30	13.30	
			2	1615	46.0	35.2		11.80	

For notes, see Page 22.

COOLING CAPACITY - With High Efficiency Motor Furnaces (Continued)

UNIT MODEL	FURNACE		COIL ¹ MODEL	COOLING					
	MODEL	WIDTH		STAGE	RATED CFM	NET MBH		SEER	EER
						TOTAL	SENS.		
18 SEER HP WITH HIGH EFFICIENCY MOTOR FURNACES²									
YZH06011(C)	T*(8,L)C*C20	21.0	FC/MC/PC60D	1	1015	40.0	27.8	15.30	12.50
				2	1605	55.5	40.0		11.60
	T*(8,L)C*C20	21.0	FC/MC62D	1	1015	39.5	28.0	15.40	12.35
				2	1615	56.0	40.5		11.70
	T*(8,L)C*C20	21.0	FC/PC60C	1	1060	40.0	27.8	14.90	12.50
				2	1620	55.0	40.0		11.30
	T*(8,L)C*C20	21.0	FC64D	1	1060	41.0	28.6	15.55	12.80
				2	1855	57.0	42.0		11.50
	T*(8,L)C*C20	21.0	UC60C	1	1015	39.5	27.2	15.00	12.35
				2	1605	55.0	39.5		11.50
	T*(8,L)V*C20	21.0	FC/MC/PC60D	1	1015	40.0	27.8	15.30	12.50
				2	1605	55.5	40.0		11.60
	T*(8,L)V*C20	21.0	FC/MC62D	1	1015	39.5	28.0	14.75	12.35
				2	1600	56.0	40.5		11.30
	T*(8,L)V*C20	21.0	FC/PC60C	1	1060	40.0	27.8	15.30	12.50
				2	1600	55.5	40.0		11.50
	T*(8,L)V*C20	21.0	FC64D	1	1060	41.0	28.6	15.55	12.80
				2	1855	57.0	42.0		11.50
	T*(8,L)V*C20	21.0	UC60C	1	1015	39.5	27.2	15.00	12.35
				2	1605	55.0	39.5		11.50
	T*9(C,V)*C20	21.0	FC/MC/PC60D	1	1055	40.0	27.8	15.30	12.35
				2	1655	55.0	40.0		11.30
	T*9(C,V)*C20	21.0	FC/MC62D	1	1040	39.5	28.0	15.20	12.20
				2	1655	55.5	40.5		11.40
	T*9(C,V)*C20	21.0	FC/PC60C	1	1055	40.0	28.2	15.20	12.35
				2	1655	55.0	40.0		11.30
	T*9(C,V)*C20	21.0	FC64D	1	1040	40.5	28.8	15.40	12.65
				2	1655	56.5	42.0		11.50
	T*9(C,V)*C20	21.0	UC60C	1	1055	39.5	27.6	15.00	12.20
				2	1655	54.5	39.0		11.20
	T*9(C,V)*D20	24.5	FC/MC/PC60D	1	1070	40.5	28.4	15.20	12.50
				2	1615	55.0	40.0		11.40
	T*9(C,V)*D20	24.5	FC/MC62D	1	1085	40.5	28.6	15.15	12.50
				2	1630	55.5	40.5		11.45
	T*9(C,V)*D20	24.5	FC64D	1	1085	41.0	29.4	15.55	12.80
				2	1630	57.0	42.0		11.60
	T*9(C,V)*D20	24.5	UC60D	1	1070	39.5	27.8	14.90	12.10
				2	1615	54.5	39.0		11.30
	TM8X080C16MP11	21.0	FC/MC/PC60D	1	1045	38.7	26.1	14.50	11.75
				2	1550	53.5	37.2		10.50
TM8X080C16MP11	21.0	FC/MC62D	1	1040	39.2	26.7	15.00	12.00	
			2	1550	54.5	38.1		10.75	
TM8X080C16MP11	21.0	FC/PC60C	1	1020	38.7	26.1	14.50	11.75	
			2	1525	53.5	37.2		10.50	
TM8X080C16MP11	21.0	FC64D	1	1045	40.2	27.5	15.25	12.25	
			2	1550	55.5	39.1		11.00	
TM8X080C16MP11	21.0	UC60C	1	1020	38.7	25.9	14.50	11.75	
			2	1525	53.0	36.8		10.50	
TM8X080C16MP11	21.0	UC60D	1	1045	38.7	25.9	14.50	11.75	
			2	1550	53.5	36.8		10.50	
TM8X100C16MP11	21.0	FC/MC/PC60D	1	1045	38.7	26.1	14.50	11.75	
			2	1550	53.5	37.2		10.50	

For notes, see Page 22.

COOLING CAPACITY - With High Efficiency Motor Furnaces (Continued)

UNIT MODEL	FURNACE		COIL ¹ MODEL	COOLING				SEER	EER
	MODEL	WIDTH		STAGE	RATED CFM	NET MBH			
						TOTAL	SENS.		
18 SEER HP WITH HIGH EFFICIENCY MOTOR FURNACES²									
YZH06011(C)	TM8X100C16MP11	21.0	FC/MC62D	1	1040	39.2	26.7	15.00	12.00
				2	1550	54.5	38.1		10.75
	TM8X100C16MP11	21.0	FC/PC60C	1	1020	38.7	26.1	14.50	11.75
				2	1525	53.5	37.2		10.50
	TM8X100C16MP11	21.0	FC64D	1	1045	40.2	27.5	15.25	12.25
				2	1550	55.5	39.1		11.00
	TM8X100C16MP11	21.0	UC60C	1	1020	38.7	25.9	14.50	11.75
				2	1525	53.0	36.8		10.50
	TM8X100C16MP11	21.0	UC60D	1	1045	38.7	25.9	14.50	11.75
				2	1550	53.5	36.8		10.50
	TM8X100C20MP11	21.0	FC/MC/PC60D	1	1105	39.7	26.9	15.00	12.40
				2	1575	54.5	38.1		11.30
	TM8X100C20MP11	21.0	FC/MC62D	1	1100	39.7	27.5	15.20	12.10
				2	1575	54.5	38.6		11.35
	TM8X100C20MP11	21.0	FC/PC60C	1	1085	39.2	26.7	15.00	12.10
				2	1550	54.5	37.7		11.25
	TM8X100C20MP11	21.0	UC60C	1	1085	39.2	26.5	14.70	12.10
				2	1550	53.5	37.2		11.15
	TM8X100C20MP11	21.0	UC60D	1	1105	39.2	26.9	15.15	12.25
				2	1575	54.0	37.7		11.15
	TM8X120C20MP11	21.0	FC/MC/PC60D	1	1105	39.7	26.9	15.00	12.40
				2	1575	54.5	38.1		11.30
	TM8X120C20MP11	21.0	FC/MC62D	1	1100	39.7	27.5	15.20	12.10
				2	1575	54.5	38.6		11.35
	TM8X120C20MP11	21.0	FC/PC60C	1	1085	39.2	26.7	15.00	12.10
				2	1550	54.5	37.7		11.25
	TM8X120C20MP11	21.0	UC60C	1	1085	39.2	26.5	14.70	12.10
				2	1550	53.5	37.2		11.15
	TM8X120C20MP11	21.0	UC60D	1	1105	39.2	26.9	15.15	12.25
				2	1575	54.0	37.7		11.15
	TM9E100C20MP11	21.0	FC/MC/PC60D	1	960	38.7	25.6	15.00	12.30
				2	1525	53.5	37.2		11.05
	TM9E100C20MP11	21.0	FC/MC62D	1	985	38.7	26.2	15.15	12.35
				2	1550	54.5	38.1		11.20
	TM9E100C20MP11	21.0	FC64D	1	980	39.7	26.8	15.60	12.70
				2	1550	55.5	39.1		11.40
	TM9E100C20MP11	21.0	UC60D	1	960	38.2	25.2	14.80	12.10
				2	1525	53.0	36.8		10.95
	TM9E120D20MP11	24.5	FC/MC/PC60D	1	980	38.7	26.1	15.10	12.30
				2	1550	54.0	37.2		11.15
	TM9E120D20MP11	24.5	FC/MC62D	1	980	38.7	26.2	15.15	12.35
				2	1550	54.5	38.6		11.25
	TM9E120D20MP11	24.5	FC64D	1	960	39.7	26.6	15.50	12.65
				2	1525	55.5	39.1		11.40
	TM9E120D20MP11	24.5	UC60D	1	980	38.7	25.9	14.90	12.20
				2	1550	53.5	37.0		11.05
	TM9X100C20MP11	21.0	FC/MC/PC60D	1	960	38.7	25.6	15.00	12.30
				2	1525	53.5	37.2		11.05
TM9X100C20MP11	21.0	FC/MC62D	1	985	38.7	26.2	15.15	12.35	
			2	1550	54.5	38.1		11.20	
TM9X100C20MP11	21.0	FC64D	1	980	39.7	26.8	15.60	12.70	
			2	1550	55.5	39.1		11.40	

For notes, see Page 22.

COOLING CAPACITY - With High Efficiency Motor Furnaces (Continued)

UNIT MODEL	FURNACE		COIL ¹ MODEL	COOLING					
	MODEL	WIDTH		STAGE	RATED CFM	NET MBH		SEER	EER
						TOTAL	SENS.		
18 SEER HP WITH HIGH EFFICIENCY MOTOR FURNACES²									
YZH06011(C)	TM9X100C20MP11	21.0	UC60D	1	960	38.2	25.2	14.80	12.10
				2	1525	53.0	36.8		10.95
	TM9X120D20MP11	24.5	FC/MC/PC60D	1	980	38.7	26.1	15.10	12.30
				2	1550	54.0	37.2		11.15
	TM9X120D20MP11	24.5	FC/MC62D	1	980	38.7	26.2	15.15	12.35
				2	1550	54.5	38.6		11.25
	TM9X120D20MP11	24.5	FC64D	1	960	39.7	26.6	15.50	12.65
				2	1525	55.5	39.1		11.40
	TM9X120D20MP11	24.5	UC60D	1	980	38.7	25.9	14.90	12.20
				2	1550	53.5	37.0		11.05
	TMLX080C16MP11	21.0	FC/MC/PC60D	1	1045	38.7	26.1	14.50	11.75
				2	1550	53.5	37.2		10.50
	TMLX080C16MP11	21.0	FC/MC62D	1	1040	39.2	26.7	15.00	12.00
				2	1550	54.5	38.1		10.75
	TMLX080C16MP11	21.0	FC/PC60C	1	1020	38.7	26.1	14.50	11.75
				2	1525	53.5	37.2		10.50
	TMLX080C16MP11	21.0	FC64D	1	1045	40.2	27.5	15.25	12.25
				2	1550	55.5	39.1		11.00
	TMLX080C16MP11	21.0	UC60C	1	1020	38.7	25.9	14.50	11.75
				2	1525	53.0	36.8		10.50
	TMLX080C16MP11	21.0	UC60D	1	1045	38.7	25.9	14.50	11.75
				2	1550	53.5	36.8		10.50
	TMLX100C16MP11	21.0	FC/MC/PC60D	1	1045	38.7	26.1	14.50	11.75
				2	1550	53.5	37.2		10.50
	TMLX100C16MP11	21.0	FC/MC62D	1	1040	39.2	26.7	15.00	12.00
				2	1550	54.5	38.1		10.75
	TMLX100C16MP11	21.0	FC/PC60C	1	1020	38.7	26.1	14.50	11.75
				2	1525	53.5	37.2		10.50
	TMLX100C16MP11	21.0	FC64D	1	1045	40.2	27.5	15.25	12.25
				2	1550	55.5	39.1		11.00
	TMLX100C16MP11	21.0	UC60C	1	1020	38.7	25.9	14.50	11.75
				2	1525	53.0	36.8		10.50
	TMLX100C16MP11	21.0	UC60D	1	1045	38.7	25.9	14.50	11.75
				2	1550	53.5	36.8		10.50
	TMLX100C20MP11	21.0	FC/MC/PC60D	1	1105	39.7	26.9	15.00	12.40
				2	1575	54.5	38.1		11.30
	TMLX100C20MP11	21.0	FC/MC62D	1	1100	39.7	27.5	15.20	12.10
				2	1575	54.5	38.6		11.35
	TMLX100C20MP11	21.0	FC/PC60C	1	1085	39.2	26.7	15.00	12.10
				2	1550	54.5	37.7		11.25
	TMLX100C20MP11	21.0	UC60C	1	1085	39.2	26.5	14.70	12.10
				2	1550	53.5	37.2		11.15
	TMLX100C20MP11	21.0	UC60D	1	1105	39.2	26.9	15.15	12.25
				2	1575	54.0	37.7		11.15
	TMLX120C20MP11	21.0	FC/MC/PC60D	1	1105	39.7	26.9	15.00	12.40
				2	1575	54.5	38.1		11.30
	TMLX120C20MP11	21.0	FC/MC62D	1	1100	39.7	27.5	15.20	12.10
				2	1575	54.5	38.6		11.35
TMLX120C20MP11	21.0	FC/PC60C	1	1085	39.2	26.7	15.00	12.10	
			2	1550	54.5	37.7		11.25	
TMLX120C20MP11	21.0	UC60C	1	1085	39.2	26.5	14.70	12.10	
			2	1550	53.5	37.2		11.15	

For notes, see Page 22.

COOLING CAPACITY - With High Efficiency Motor Furnaces (Continued)

UNIT MODEL	FURNACE		COIL ¹ MODEL	COOLING					
	MODEL	WIDTH		STAGE	RATED CFM	NET MBH		SEER	EER
						TOTAL	SENS.		
18 SEER HP WITH HIGH EFFICIENCY MOTOR FURNACES ²									
YZH06011(C)	TMLX120C20MP11	21.0	UC60D	1	1105	39.2	26.9	15.15	12.25
				2	1575	54.0	37.7		11.15
	Y*(8,L)C*C20	21.0	FC/MC/PC60D	1	1015	40.0	27.8	15.30	12.50
				2	1605	55.5	40.0		11.60
	Y*(8,L)C*C20	21.0	FC/MC62D	1	1015	39.5	28.0	14.75	12.35
				2	1600	56.0	40.5		11.30
	Y*(8,L)C*C20	21.0	FC/PC60C	1	1060	40.0	27.8	14.90	12.50
				2	1620	55.0	40.0		11.30
	Y*(8,L)C*C20	21.0	FC64D	1	1060	41.0	28.6	15.55	12.80
				2	1855	57.0	42.0		11.50
	Y*(8,L)C*C20	21.0	UC60C	1	1015	39.5	27.2	15.00	12.35
				2	1605	55.0	39.5		11.50
	Y*9C*C20	21.0	FC/MC/PC60D	1	1055	40.0	27.8	15.30	12.35
				2	1655	55.0	40.0		11.30
	Y*9C*C20	21.0	FC/MC62D	1	1040	39.5	28.0	15.15	12.20
				2	1655	55.5	40.5		11.45
	Y*9C*C20	21.0	FC/PC60C	1	1055	40.0	28.2	15.20	12.35
				2	1655	55.0	40.0		11.30
	Y*9C*C20	21.0	FC64D	1	1040	40.5	28.8	15.40	12.65
				2	1655	56.5	42.0		11.50
	Y*9C*C20	21.0	UC60C	1	1055	39.5	27.6	15.00	12.20
				2	1655	54.5	39.0		11.20
	Y*9C*D20	24.5	FC/MC/PC60D	1	1070	40.5	28.4	15.20	12.50
				2	1615	55.0	40.0		11.40
	Y*9C*D20	24.5	FC/MC62D	1	1085	40.5	28.6	15.15	12.50
				2	1630	55.5	40.5		11.45
	Y*9C*D20	24.5	FC64D	1	1085	41.0	29.4	15.55	12.80
				2	1630	57.0	42.0		11.60
Y*9C*D20	24.5	UC60D	1	1070	39.5	27.8	14.90	12.10	
			2	1615	54.5	39.0		11.30	

1. MC coils available with a factory installed horizontal drain pan. See price pages for specific model number.

2. High Efficiency Motor Furnaces have B.O.D (Blower on Delay) standard.

PSC furnaces, such as the TG8S, TGLS, and TG9S, use Coil Only Ratings.

HEATING CAPACITY - With Air Handler

UNIT MODEL	AIR HANDLER MODEL	COIL ¹ MODEL	HEATING ²						
			STAGE	RATED CFM	NET MBH		HSPF	COP @ 47°F	
					47°F OD	17°F OD			
18 SEER HP WITH AIR HANDLERS									
YZH02411(C)	AHV24B	-	1	470	18.7	-	-	3.64	
			2	710	24.0	16.3	10.00	3.78	
			2*	470	22.8	15.4	9.50	3.40	
	AHV30B	-	1	500	19.0	-	-	3.70	
			2	775	24.0	16.4	10.00	3.88	
			2*	500	22.8	15.5	9.50	3.48	
	AHV36C	-	1	485	19.2	-	-	3.74	
			2	760	24.0	16.2	10.00	4.00	
			2*	485	22.8	15.3	9.50	3.60	
	MV12B	FC/MC43B	1	645	19.3	-	-	4.00	
			2	800	24.0	17.0	9.60	4.00	
			2*	645	22.8	16.1	9.10	3.60	
	MV12D	FC/MC48D	1	645	19.3	-	-	4.00	
			2	835	24.0	16.8	9.80	4.00	
			2*	645	22.8	15.9	9.30	3.60	
	MV12D	FC/MC60D	1	645	19.3	-	-	4.00	
			2	835	24.0	16.8	9.80	4.00	
			2*	645	22.8	15.9	9.30	3.60	
	YZH03611(C)	AHE42D	-	1	685	26.6	-	-	4.06
				2	1180	36.0	26.4	10.00	4.26
				2*	685	34.2	25.2	9.50	3.84
		AHV36C	-	1	785	26.6	-	-	4.00
				2	1215	36.0	26.8	10.00	4.12
				2*	785	34.2	25.4	9.50	3.70
AHV42D		-	1	790	27.0	-	-	4.04	
			2	1180	36.0	26.6	10.00	4.18	
			2*	790	34.2	25.2	9.50	3.76	
AHV48D		-	1	835	27.2	-	-	4.10	
			2	1155	36.0	26.6	10.00	4.16	
			2*	835	34.2	25.2	9.50	3.74	
MV12D		FC/MC48D	1	845	26.4	-	-	4.20	
			2	1245	36.0	25.8	10.00	4.40	
			2*	845	34.2	24.5	9.50	3.96	
MV12D		FC/MC60D	1	845	26.4	-	-	4.20	
			2	1245	36.0	25.8	10.00	4.40	
			2*	845	34.2	24.5	9.50	3.96	
MV12D		FC/MC62D	1	845	26.4	-	-	4.20	
			2	1245	36.0	25.8	10.00	4.40	
			2*	845	34.2	24.5	9.50	3.96	
MV12D		FC64D	1	780	26.8	-	-	4.28	
			2	1155	35.8	26.0	10.10	4.46	
			2*	780	34.0	24.7	9.55	4.00	
MV16C		FC/MC43C	1	775	26.4	-	-	4.20	
			2	1200	36.0	25.8	10.00	4.40	
			2*	775	34.2	24.5	9.50	3.96	
MV16C		FC/MC48C	1	775	26.4	-	-	4.20	
			2	1200	36.0	25.8	10.00	4.40	
			2*	775	34.2	24.5	9.50	3.96	
MX12BN21	FC/MC43B	1	740	23.8	-	-	3.74		
		2	1125	36.0	25.4	10.00	3.84		
		2*	740	34.2	24.1	9.50	3.44		

For notes, see Page 25.

HEATING CAPACITY - With Air Handler (Continued)

UNIT MODEL	AIR HANDLER MODEL	COIL ¹ MODEL	HEATING ²					
			STAGE	RATED CFM	NET MBH		HSPF	COP @ 47°F
					47°F OD	17°F OD		
18 SEER HP WITH AIR HANDLERS								
YZH03611(C)	MX12DN21	FC/MC48D	1	830	23.8	–	–	4.06
			2	1125	35.4	25.0	10.00	4.18
			2*	830	33.6	23.7	9.50	3.76
	MX12DN21	FC/MC60D	1	845	23.8	–	–	4.00
			2	1150	35.4	24.8	10.00	4.12
			2*	845	33.6	23.5	9.50	3.70
	MX12DN21	FC64D	1	880	24.1	–	–	4.16
			2	1175	36.0	24.6	10.00	4.30
			2*	880	34.2	23.3	9.50	3.86
YZH04811(C)	AHE60D	–	1	1160	35.8	–	–	3.84
			2	1565	48.0	32.0	10.00	3.98
			2*	1160	45.5	30.4	9.50	3.58
	AHV48D	–	1	1010	35.8	–	–	3.76
			2	1585	48.0	32.8	9.75	3.82
			2*	1010	45.6	31.1	9.25	3.42
	AHV60D	–	1	1000	35.6	–	–	3.82
			2	1570	48.0	32.4	9.80	3.90
			2*	1000	45.6	30.7	9.30	3.50
	MV16C	FC/MC48C	1	1000	35.6	–	–	3.60
			2	1600	48.0	32.6	9.30	3.80
			2*	1000	45.6	30.9	8.80	3.42
	MV20D	FC/MC48D	1	1045	36.0	–	–	3.60
			2	1570	48.0	32.6	9.30	3.80
			2*	1045	45.6	30.9	8.80	3.42
	MV20D	FC/MC60D	1	1045	36.0	–	–	3.80
			2	1570	48.0	32.4	9.80	4.00
			2*	1045	45.6	30.7	9.30	3.60
	MV20D	FC/MC62D	1	1045	35.8	–	–	3.80
			2	1570	48.0	32.0	9.80	4.00
			2*	1045	45.6	30.4	9.30	3.60
	MV20D	FC64D	1	1075	36.0	–	–	3.80
			2	1630	48.0	32.0	9.80	4.06
			2*	1075	45.6	30.4	9.30	3.64
	MX16CN21	FC/MC48C	1	1015	34.5	–	–	3.54
			2	1600	48.0	31.8	9.30	3.66
			2*	1015	45.6	30.2	8.80	3.28
MX16CN21	FC60C	1	1020	34.3	–	–	3.48	
		2	1600	47.5	31.6	9.25	3.60	
		2*	1020	45.1	30.0	8.75	3.24	
YZH06011(C)	AHE60D	–	1	1160	43.0	–	–	3.44
			2	1835	58.0	38.5	9.80	3.78
			2*	1160	55.0	36.6	9.30	3.40
	AHV60D	–	1	1095	43.5	–	–	3.46
			2	1730	58.0	39.5	9.35	3.80
			2*	1095	55.1	37.5	8.85	3.42
	MV20D	FC/MC60D	1	1175	43.0	–	–	3.40
			2	1820	58.0	39.5	9.30	3.80
			2*	1175	55.1	37.5	8.80	3.42
MV20D	FC/MC62D	1	1175	43.0	–	–	3.40	
		2	1820	58.0	39.0	9.30	3.80	
		2*	1175	55.1	37.0	8.80	3.42	

For notes, see Page 25.

HEATING CAPACITY - With Air Handler (Continued)

UNIT MODEL	AIR HANDLER MODEL	COIL ¹ MODEL	HEATING ²					
			STAGE	RATED CFM	NET MBH		HSPF	COP @ 47°F
					47°F OD	17°F OD		
18 SEER HP WITH AIR HANDLERS								
YZH06011(C)	MV20D	FC64D	1	1160	43.5	—	—	3.50
			2	1855	57.0	39.5	9.30	3.82
			2*	1160	54.1	37.5	8.80	3.42
	MX16CN21	FC60C	1	1020	40.5	—	—	3.02
			2	1600	57.0	36.2	8.90	3.26
			2*	1020	54.1	34.3	8.45	2.92

1. Rated CFM same as for cooling.

2. Heating MBH based on AHRI standards of 70°F DB (Dry Bulb) entering indoor air, 72% RH (Relative Humidity) outdoor air with 25 feet of interconnecting piping and no supplemental electric heat operation.

* Notates "Hot Heat Pump" performance. These ratings are not AHRI listed.

COP equals MBH output divided by (total KW input x 3.412).

HSPF (Heating Seasonal Performance Factor) is the total heating output during a normal annual usage period for heating divided by the total electric power input during the same period.

— = Not Applicable.

MA Modular Air Handlers use Coil Only Ratings.

HEATING CAPACITY - Upflow, Downflow, and Horizontal Furnaces and Coils (Coil Only Ratings)

UNIT MODEL	COIL ¹ MODEL	HEATING ²					
		STAGE	RATED CFM	NET MBH		HSPF	COP @ 47°F
				47°F OD	17°F OD		
18 SEER HP COIL ONLY RATINGS							
YZH02411(C)	FC/MC/PC48	1	600	19.2	—	—	2.98
		2	800	24.0	10.2	8.40	3.66
		2*	600	22.8	9.6	7.95	3.28
YZH03611(C)	FC/MC62	1	900	24.6	—	—	3.50
		2	1200	36.0	26.6	9.00	4.08
		2*	900	34.2	25.2	8.55	3.66
	FC64	1	900	28.0	—	—	4.04
		2	1200	36.0	27.0	9.25	4.18
		2*	900	34.2	25.6	8.75	3.76
YZH04811(C)	FC/MC62	1	1200	32.8	—	—	3.52
		2	1600	48.0	32.8	9.00	3.80
		2*	1200	45.6	31.1	8.55	3.42
	FC64	1	1200	37.4	—	—	3.74
		2	1600	48.0	33.0	9.40	3.88
		2*	1200	45.6	31.3	8.90	3.48
YZH06011(C)	FC/MC62	1	1350	40.0	—	—	3.24
		2	1800	57.0	39.5	9.00	3.66
		2*	1350	54.1	37.5	8.55	3.28
	FC64	1	1350	44.5	—	—	3.40
		2	1800	57.0	40.0	8.95	3.72
		2*	1350	54.1	38.0	8.50	3.34

1. Rated CFM same as for cooling.

2. Heating MBH based on AHRI standards of 70°F DB (Dry Bulb) entering indoor air, 72% RH (Relative Humidity) outdoor air with 25 feet of interconnecting piping and no supplemental electric heat operation.

* Notates "Hot Heat Pump" performance. These ratings are not AHRI listed.

COP equals MBH output divided by (total KW input x 3.412).

HSPF (Heating Seasonal Performance Factor) is the total heating output during a normal annual usage period for heating divided by the total electric power input during the same period.

MA Modular Air Handlers use Coil Only Ratings.

PSC furnaces, such as the TG8S, TGLS, and TG9S, use Coil Only Ratings.

— = Not Applicable.

HEATING CAPACITY - With High Efficiency Motor Furnaces

UNIT MODEL	FURNACE MODEL	COIL ¹ MODEL	HEATING ²					
			STAGE	RATED CFM	NET MBH		HSPF	COP @ 47°F
					47°F OD	17°F OD		
18 SEER HP WITH HIGH EFFICIENCY MOTOR FURNACES³								
YZH02411(C)	T*(8,L)C*A12	FC/MC/PC37A	1	585	19.2	—	—	3.82
			2	805	24.2	10.2	9.30	3.84
			2*	585	22.9	9.6	8.80	3.44
	T*(8,L)C*B12	FC/MC/PC43B	1	515	18.8	—	—	3.68
			2	790	24.0	9.8	9.50	3.84
			2*	515	22.8	9.3	9.00	3.44
	T*(8,L)C*C16	FC/MC/PC43C	1	645	18.0	—	—	4.00
			2	895	24.0	9.9	9.60	4.00
			2*	645	22.8	9.4	9.10	3.60
	T*(8,L)V*A12	FC/MC/PC37A	1	585	19.2	—	—	3.82
			2	805	24.2	10.2	9.30	3.84
			2*	585	22.9	9.6	8.80	3.44
	T*(8,L)V*B12	FC/MC/PC43B	1	515	18.8	—	—	3.68
			2	790	24.0	9.8	9.50	3.84
			2*	515	22.8	9.3	9.00	3.44
	T*(8,L)V*C16	FC/MC/PC43C	1	645	18.0	—	—	4.00
			2	895	24.0	9.9	9.60	4.00
			2*	645	22.8	9.4	9.10	3.60
	T*9(C,V)*B12	FC/MC/PC43B	1	550	19.0	—	—	3.76
			2	800	24.0	10.1	9.50	3.86
			2*	550	22.8	9.5	9.00	3.46
	T*9V*A10	FC/MC/PC37A	1	570	19.3	—	—	3.74
			2	790	24.4	16.6	8.75	3.76
			2*	570	23.1	15.7	8.30	3.38
	TM8X080C16MP11	FC/MC/PC43C	1	630	17.0	—	—	3.82
			2	800	22.8	17.2	9.35	3.82
			2*	630	21.6	16.3	8.85	3.42
	TM8X080C16MP11	FC/MC/PC48C	1	630	18.0	—	—	3.70
			2	800	24.0	17.2	9.05	3.70
			2*	630	22.8	16.3	8.55	3.32
	TM8X080C16MP11	FC/PC60C	1	630	17.9	—	—	3.62
			2	800	24.0	17.1	9.05	3.62
			2*	630	22.8	16.2	8.55	3.24
	TM8X080C16MP11	UC48C	1	630	17.9	—	—	3.90
			2	800	24.0	17.0	9.15	3.90
			2*	630	22.8	16.1	8.65	3.50
	TM8X080C16MP11	UC60C	1	630	17.6	—	—	3.48
			2	800	24.0	16.9	8.95	3.48
			2*	630	22.8	16.0	8.50	3.12
	TM8X100C16MP11	FC/MC/PC43C	1	630	17.0	—	—	3.82
			2	800	22.8	17.2	9.35	3.82
			2*	630	21.6	16.3	8.85	3.42
	TM8X100C16MP11	FC/MC/PC48C	1	630	18.0	—	—	3.70
			2	800	24.0	17.2	9.05	3.70
			2*	630	22.8	16.3	8.55	3.32
	TM8X100C16MP11	FC/PC60C	1	630	17.9	—	—	3.62
			2	800	24.0	17.1	9.05	3.62
			2*	630	22.8	16.2	8.55	3.24
TM8X100C16MP11	UC48C	1	630	17.9	—	—	3.88	
		2	800	24.0	17.0	9.15	3.88	
		2*	630	22.8	16.1	8.65	3.48	
TM8X100C16MP11	UC60C	1	630	17.6	—	—	3.48	
		2	800	24.0	16.9	8.95	3.48	
		2*	630	22.8	16.0	8.50	3.12	

For notes, see Page 49.

HEATING CAPACITY - With High Efficiency Motor Furnaces (Continued)

UNIT MODEL	FURNACE MODEL	COIL ¹ MODEL	HEATING ²					
			STAGE	RATED CFM	NET MBH		HSPF	COP @ 47°F
					47°F OD	17°F OD		
18 SEER HP WITH HIGH EFFICIENCY MOTOR FURNACES³								
YZH02411(C)	TMLX080C16MP11	FC/MC/PC43C	1	630	17.0	–	–	3.82
			2	800	22.8	17.2	9.35	3.82
			2*	630	21.6	16.3	8.85	3.42
	TMLX080C16MP11	FC/MC/PC48C	1	630	18.0	–	–	3.70
			2	800	24.0	17.2	9.05	3.70
			2*	630	22.8	16.3	8.55	3.32
	TMLX080C16MP11	FC/PC60C	1	630	17.9	–	–	3.62
			2	800	24.0	17.1	9.05	3.62
			2*	630	22.8	16.2	8.55	3.24
	TMLX080C16MP11	UC48C	1	630	17.9	–	–	3.90
			2	800	24.0	17.0	9.15	3.90
			2*	630	22.8	16.1	8.65	3.50
	TMLX080C16MP11	UC60C	1	630	17.6	–	–	3.48
			2	800	24.0	16.9	8.95	3.48
			2*	630	22.8	16.0	8.50	3.12
	TMLX100C16MP11	FC/MC/PC43C	1	630	17.0	–	–	3.82
			2	800	22.8	17.2	9.35	3.82
			2*	630	21.6	16.3	8.85	3.42
	TMLX100C16MP11	FC/MC/PC48C	1	630	18.0	–	–	3.70
			2	800	24.0	17.2	9.05	3.70
			2*	630	22.8	16.3	8.55	3.32
	TMLX100C16MP11	FC/PC60C	1	630	17.9	–	–	3.62
			2	800	24.0	17.1	9.05	3.62
			2*	630	22.8	16.2	8.55	3.24
	TMLX100C16MP11	UC48C	1	630	17.9	–	–	3.88
			2	800	24.0	17.0	9.15	3.88
			2*	630	22.8	16.1	8.65	3.48
	TMLX100C16MP11	UC60C	1	630	17.6	–	–	3.48
			2	800	24.0	16.9	8.95	3.48
			2*	630	22.8	16.0	8.50	3.12
	Y*(8,L)C*A12	FC/MC/PC37A	1	585	19.2	–	–	3.82
			2	805	24.2	10.2	9.30	3.84
			2*	585	22.9	9.6	8.80	3.44
	Y*(8,L)C*B12	FC/MC/PC43B	1	515	18.8	–	–	3.68
			2	790	24.0	9.8	9.50	3.84
			2*	515	22.8	9.3	9.00	3.44
	Y*(8,L)C*C16	FC/MC/PC43C	1	645	18.0	–	–	4.00
			2	895	24.0	9.9	9.60	4.00
			2*	645	22.8	9.4	9.10	3.60
	Y*9C*B12	FC/MC/PC43B	1	550	19.0	–	–	3.76
			2	800	24.0	10.1	9.50	3.86
			2*	550	22.8	9.5	9.00	3.46
YZH03611(C)	T*(8,L)C*A12	FC/MC/PC37A	1	730	26.0	–	–	3.70
			2	1150	35.6	26.4	9.40	3.90
			2*	730	33.8	25.0	8.90	3.50
	T*(8,L)C*B12	FC/MC/PC43B	1	860	26.2	–	–	3.88
			2	1270	36.4	27.0	9.30	4.08
			2*	860	34.5	25.6	8.80	3.66
	T*(8,L)C*C16	FC/MC/PC43C	1	800	26.4	–	–	4.00
			2	1205	36.0	26.6	9.70	4.20
			2*	800	34.2	25.2	9.20	3.78
	T*(8,L)C*C16	FC/MC/PC48C	1	725	26.8	–	–	3.80
			2	1195	36.0	26.6	9.80	4.22
			2*	725	34.2	25.2	9.30	3.78

For notes, see Page 49.

HEATING CAPACITY - With High Efficiency Motor Furnaces (Continued)

UNIT MODEL	FURNACE MODEL	COIL ¹ MODEL	HEATING ²					
			STAGE	RATED CFM	NET MBH		HSPF	COP @ 47°F
					47°F OD	17°F OD		
18 SEER HP WITH HIGH EFFICIENCY MOTOR FURNACES³								
YZH03611(C)	T*(8,L)C*C16	FC/PC60C	1	710	27.0	–	–	3.84
			2	1185	35.8	26.4	9.90	4.24
			2*	710	34.0	25.0	9.40	3.80
	T*(8,L)C*C16	UC48C	1	810	26.8	–	–	4.24
			2	1210	36.2	26.4	9.90	4.38
			2*	810	34.3	25.0	9.40	3.94
	T*(8,L)C*C16	UC60C	1	810	26.4	–	–	4.16
			2	1195	36.0	26.0	10.00	4.36
			2*	810	34.2	24.7	9.50	3.92
	T*(8,L)C*C20	FC/MC/PC43C	1	740	26.2	–	–	3.92
			2	1190	36.0	26.4	9.75	4.22
			2*	740	34.2	25.0	9.25	3.78
	T*(8,L)C*C20	FC/MC/PC48C	1	715	26.6	–	–	3.68
			2	1150	35.8	26.4	9.85	4.18
			2*	715	34.0	25.0	9.35	3.76
	T*(8,L)C*C20	FC/PC60C	1	800	27.0	–	–	3.84
			2	1215	36.0	26.4	9.80	4.24
			2*	800	34.2	25.0	9.30	3.80
	T*(8,L)C*C20	UC48C	1	720	26.6	–	–	4.10
			2	1155	36.0	26.4	10.00	4.36
			2*	720	34.2	25.0	9.50	3.92
	T*(8,L)C*C20	UC60C	1	800	26.4	–	–	4.16
			2	1215	36.0	26.0	9.90	4.36
			2*	800	34.2	24.7	9.40	3.92
	T*(8,L)V*A12	FC/MC/PC37A	1	730	26.0	–	–	3.70
			2	1150	35.6	26.4	9.35	3.90
			2*	730	33.8	25.0	8.85	3.50
	T*(8,L)V*B12	FC/MC/PC43B	1	860	26.2	–	–	3.88
			2	1275	36.4	27.0	9.30	4.08
			2*	860	34.5	25.6	8.80	3.66
	T*(8,L)V*C16	FC/MC/PC43C	1	800	26.4	–	–	4.00
			2	1205	36.0	26.6	9.70	4.20
			2*	800	34.2	25.2	9.20	3.78
	T*(8,L)V*C16	FC/MC/PC48C	1	725	26.8	–	–	3.80
			2	1195	36.0	26.6	9.80	4.22
			2*	725	34.2	25.2	9.30	3.78
	T*(8,L)V*C16	FC/PC60C	1	710	27.0	–	–	3.84
			2	1185	35.8	26.4	9.90	4.24
			2*	710	34.0	25.0	9.40	3.80
	T*(8,L)V*C16	UC48C	1	810	26.8	–	–	4.24
			2	1210	36.2	26.4	9.90	4.38
			2*	810	34.3	25.0	9.40	3.94
	T*(8,L)V*C16	UC60C	1	810	26.4	–	–	4.16
			2	1195	36.0	26.0	10.00	4.36
			2*	810	34.2	24.7	9.50	3.92
	T*(8,L)V*C20	FC/MC/PC43C	1	740	26.2	–	–	3.92
			2	1190	36.0	26.4	9.75	4.22
			2*	740	34.2	25.0	9.25	3.78
T*(8,L)V*C20	FC/MC/PC48C	1	715	26.6	–	–	3.68	
		2	1150	35.8	26.4	9.85	4.18	
		2*	715	34.0	25.0	9.35	3.76	
T*(8,L)V*C20	FC/PC60C	1	800	27.0	–	–	3.84	
		2	1215	36.0	26.4	9.80	4.24	
		2*	800	34.2	25.0	9.30	3.80	

For notes, see Page 49.

HEATING CAPACITY - With High Efficiency Motor Furnaces (Continued)

UNIT MODEL	FURNACE MODEL	COIL ¹ MODEL	HEATING ²					
			STAGE	RATED CFM	NET MBH		HSPF	COP @ 47°F
					47°F OD	17°F OD		
18 SEER HP WITH HIGH EFFICIENCY MOTOR FURNACES³								
YZH03611(C)	T*(8,L)V*C20	UC48C	1	720	26.6	—	—	4.10
			2	1155	36.0	26.4	10.00	4.36
			2*	720	34.2	25.0	9.50	3.92
	T*(8,L)V*C20	UC60C	1	800	26.4	—	—	4.16
			2	1215	36.0	26.0	9.90	4.36
			2*	800	34.2	24.7	9.40	3.92
	T*9(C,V)*B12	FC/MC/PC43B	1	815	26.6	—	—	3.96
			2	1200	36.2	27.0	9.40	4.08
			2*	815	34.3	25.6	8.90	3.66
	T*9(C,V)*C16	FC/MC/PC43C	1	815	26.8	—	—	3.80
			2	1240	36.2	26.8	9.60	4.16
			2*	815	34.3	25.4	9.10	3.74
	T*9(C,V)*C16	FC/MC/PC48C	1	780	27.2	—	—	3.78
			2	1195	36.4	27.0	9.80	4.18
			2*	780	34.5	25.6	9.30	3.76
	T*9(C,V)*C16	FC/PC60C	1	810	27.2	—	—	3.80
			2	1235	36.4	27.0	9.70	4.18
			2*	810	34.5	25.6	9.20	3.76
	T*9(C,V)*C16	UC48C	1	780	26.8	—	—	4.22
			2	1195	36.2	26.6	9.80	4.34
			2*	780	34.3	25.2	9.30	3.90
	T*9(C,V)*C16	UC60C	1	810	26.6	—	—	4.12
			2	1235	36.4	26.4	9.70	4.26
			2*	810	34.5	25.0	9.20	3.82
	T*9(C,V)*C20	FC/MC/PC43C	1	780	26.6	—	—	3.68
			2	1200	36.0	26.6	9.70	4.20
			2*	780	34.2	25.2	9.20	3.78
	T*9(C,V)*C20	FC/MC/PC48C	1	745	27.0	—	—	3.72
			2	1305	36.6	27.0	9.60	4.20
			2*	745	34.7	25.6	9.10	3.78
	T*9(C,V)*C20	FC/PC60C	1	770	26.8	—	—	3.80
			2	1305	36.6	26.8	9.70	4.22
			2*	770	34.7	25.4	9.20	3.78
	T*9(C,V)*C20	UC48C	1	755	27.0	—	—	4.12
			2	1330	36.6	26.8	9.60	4.34
			2*	755	34.7	25.4	9.10	3.90
	T*9(C,V)*C20	UC60C	1	770	26.4	—	—	4.08
			2	1325	36.6	26.4	9.70	4.34
			2*	770	34.7	25.0	9.20	3.90
	T*9(C,V)*D20	FC/MC/PC60D	1	830	27.0	—	—	3.86
			2	1225	36.2	26.8	9.90	4.22
			2*	830	34.3	25.4	9.40	3.78
	T*9(C,V)*D20	FC/MC62D	1	835	26.4	—	—	4.12
			2	1235	36.2	26.0	9.80	4.32
			2*	835	34.3	24.7	9.30	3.88
	T*9(C,V)*D20	FC64D	1	835	27.0	—	—	4.30
			2	1235	36.0	26.4	9.85	4.42
			2*	835	34.2	25.0	9.35	3.96
	T*9(C,V)*D20	UC60D	1	830	26.6	—	—	4.14
			2	1225	36.2	26.2	9.80	4.32
			2*	830	34.3	24.8	9.30	3.88
	TM8X060A12MP11	FC/MC/PC37A	1	770	23.9	—	—	3.80
			2	1125	36.0	25.6	9.80	3.90
			2*	770	34.2	24.3	9.30	3.50

For notes, see Page 49.

HEATING CAPACITY - With High Efficiency Motor Furnaces (Continued)

UNIT MODEL	FURNACE MODEL	COIL ¹ MODEL	HEATING ²					
			STAGE	RATED CFM	NET MBH		HSPF	COP @ 47°F
					47°F OD	17°F OD		
18 SEER HP WITH HIGH EFFICIENCY MOTOR FURNACES³								
YZH03611(C)	TM8X080B12MP11	FC/MC/PC43B	1	805	23.9	–	–	3.84
			2	1175	36.0	25.6	9.85	3.94
			2*	805	34.2	24.3	9.35	3.54
	TM8X080C16MP11	FC/MC/PC43C	1	775	23.5	–	–	3.90
			2	1150	35.6	25.2	10.00	4.04
			2*	775	33.8	23.9	9.50	3.62
	TM8X080C16MP11	FC/MC/PC48C	1	775	23.6	–	–	3.94
			2	1150	35.6	25.2	10.00	4.12
			2*	775	33.8	23.9	9.50	3.70
	TM8X080C16MP11	FC/MC/PC48D	1	805	23.9	–	–	3.90
			2	1175	36.0	25.2	10.00	3.94
			2*	805	34.2	23.9	9.50	3.54
	TM8X080C16MP11	FC/MC/PC60D	1	800	23.9	–	–	3.78
			2	1175	36.0	25.2	10.00	3.90
			2*	800	34.2	23.9	9.50	3.50
	TM8X080C16MP11	FC/MC62D	1	785	23.8	–	–	3.74
			2	1175	36.0	24.8	10.00	3.98
			2*	785	34.2	23.5	9.50	3.58
	TM8X080C16MP11	FC/PC60C	1	790	23.6	–	–	3.88
			2	1175	35.6	25.2	10.00	4.06
			2*	790	33.8	23.9	9.50	3.64
	TM8X080C16MP11	FC64D	1	795	24.1	–	–	4.02
			2	1175	36.0	24.8	10.25	4.20
			2*	795	34.2	23.5	9.70	3.78
	TM8X080C16MP11	UC48C	1	775	24.0	–	–	4.16
			2	1150	35.8	25.0	9.90	4.32
			2*	775	34.0	23.7	9.40	3.88
	TM8X080C16MP11	UC48D	1	805	24.1	–	–	4.00
			2	1175	36.0	25.0	10.25	4.16
			2*	805	34.2	23.7	9.70	3.74
	TM8X080C16MP11	UC60C	1	790	23.3	–	–	3.80
			2	1175	35.4	24.8	10.00	4.02
			2*	790	33.6	23.5	9.50	3.60
	TM8X080C16MP11	UC60D	1	800	23.3	–	–	3.64
			2	1175	35.4	24.8	10.00	3.86
			2*	800	33.6	23.5	9.50	3.46
	TM8X100C16MP11	FC/MC/PC43C	1	775	23.5	–	–	3.90
			2	1150	35.6	25.2	10.00	4.04
			2*	775	33.8	23.9	9.50	3.62
	TM8X100C16MP11	FC/MC/PC48C	1	775	23.6	–	–	3.94
			2	1150	35.6	25.2	10.00	4.12
			2*	775	33.8	23.9	9.50	3.70
TM8X100C16MP11	FC/MC/PC48D	1	805	23.9	–	–	3.90	
		2	1175	36.0	25.2	10.00	3.94	
		2*	805	34.2	23.9	9.50	3.54	
TM8X100C16MP11	FC/MC/PC60D	1	800	23.9	–	–	3.78	
		2	1175	36.0	25.2	10.00	3.90	
		2*	800	34.2	23.9	9.50	3.50	
TM8X100C16MP11	FC/MC62D	1	785	23.8	–	–	3.74	
		2	1175	36.0	24.8	10.00	3.98	
		2*	785	34.2	23.5	9.50	3.58	
TM8X100C16MP11	FC/PC60C	1	790	23.6	–	–	3.88	
		2	1175	35.6	25.2	10.00	4.06	
		2*	790	33.8	23.9	9.50	3.64	

For notes, see Page 49.

HEATING CAPACITY - With High Efficiency Motor Furnaces (Continued)

UNIT MODEL	FURNACE MODEL	COIL ¹ MODEL	HEATING ²					
			STAGE	RATED CFM	NET MBH		HSPF	COP @ 47°F
					47°F OD	17°F OD		
18 SEER HP WITH HIGH EFFICIENCY MOTOR FURNACES³								
YZH03611(C)	TM8X100C16MP11	FC64D	1	795	24.1	–	–	4.02
			2	1175	36.0	24.8	10.25	4.20
			2*	795	34.2	23.5	9.70	3.78
	TM8X100C16MP11	UC48C	1	775	24.0	–	–	4.14
			2	1150	35.8	25.0	9.90	4.32
			2*	775	34.0	23.7	9.40	3.88
	TM8X100C16MP11	UC48D	1	805	24.1	–	–	4.00
			2	1175	36.0	25.0	10.25	4.16
			2*	805	34.2	23.7	9.70	3.74
	TM8X100C16MP11	UC60C	1	790	23.3	–	–	3.78
			2	1175	35.4	24.8	10.00	4.02
			2*	790	33.6	23.5	9.50	3.60
	TM8X100C16MP11	UC60D	1	800	23.3	–	–	3.64
			2	1175	35.4	24.8	10.00	3.86
			2*	800	33.6	23.5	9.50	3.46
	TM9E060B12MP11	FC/MC/PC43B	1	730	23.9	–	–	3.76
			2	1125	36.0	25.6	9.85	3.94
			2*	730	34.2	24.3	9.35	3.54
	TM9E080B12MP11	FC/MC/PC43B	1	730	23.9	–	–	3.76
			2	1125	36.0	25.6	9.85	3.94
			2*	730	34.2	24.3	9.35	3.54
	TM9E080C16MP11	FC/MC/PC48D	1	775	23.9	–	–	3.78
			2	1175	36.0	25.2	10.00	3.96
			2*	775	34.2	23.9	9.50	3.56
	TM9E080C16MP11	FC/MC62D	1	765	23.8	–	–	3.76
			2	1175	36.0	25.0	10.00	3.96
			2*	765	34.2	23.7	9.50	3.56
	TM9E080C16MP11	FC64D	1	775	24.2	–	–	3.98
			2	1175	36.4	25.0	10.00	4.16
			2*	775	34.5	23.7	9.50	3.74
	TM9E080C16MP11	UC48D	1	775	24.1	–	–	3.98
			2	1175	36.4	25.0	10.00	4.12
			2*	775	34.5	23.7	9.50	3.70
	TM9E100C16MP11	FC/MC/PC48D	1	775	23.9	–	–	3.78
			2	1175	36.0	25.2	10.00	3.96
			2*	775	34.2	23.9	9.50	3.56
	TM9E100C16MP11	FC/MC62D	1	765	23.8	–	–	3.74
			2	1175	36.0	25.0	10.00	3.96
			2*	765	34.2	23.7	9.50	3.56
	TM9E100C16MP11	FC64D	1	775	24.2	–	–	3.98
			2	1175	36.4	25.0	10.00	4.16
			2*	775	34.5	23.7	9.50	3.74
	TM9E100C16MP11	UC48D	1	775	24.1	–	–	3.98
			2	1175	36.4	25.0	10.00	4.12
			2*	775	34.5	23.7	9.50	3.70
	TM9E100C16MP11	FC/MC/PC48D	1	775	23.9	–	–	3.78
			2	1175	36.0	25.2	10.00	3.96
			2*	775	34.2	23.9	9.50	3.56
TM9E100C16MP11	FC/MC62D	1	765	23.8	–	–	3.74	
		2	1175	36.0	25.0	10.00	3.96	
		2*	765	34.2	23.7	9.50	3.56	
TM9E100C16MP11	FC64D	1	775	24.2	–	–	3.98	
		2	1175	36.4	25.0	10.00	4.16	
		2*	775	34.5	23.7	9.50	3.74	
TM9E100C16MP11	UC48D	1	775	24.1	–	–	3.98	
		2	1175	36.4	25.0	10.00	4.12	
		2*	775	34.5	23.7	9.50	3.70	
TM9X060B12MP11	FC/MC/PC43B	1	730	23.9	–	–	3.76	
		2	1125	36.0	25.6	9.85	3.94	
		2*	730	34.2	24.3	9.35	3.54	
TM9X080B12MP11	FC/MC/PC43B	1	730	23.9	–	–	3.76	
		2	1125	36.0	25.6	9.85	3.94	
		2*	730	34.2	24.3	9.35	3.54	
TM9X080C16MP11	FC/MC/PC48D	1	775	23.9	–	–	3.78	
		2	1175	36.0	25.2	10.00	3.96	
		2*	775	34.2	23.9	9.50	3.56	

For notes, see Page 49.

HEATING CAPACITY - With High Efficiency Motor Furnaces (Continued)

UNIT MODEL	FURNACE MODEL	COIL ¹ MODEL	HEATING ²					
			STAGE	RATED CFM	NET MBH		HSPF	COP @ 47°F
					47°F OD	17°F OD		
18 SEER HP WITH HIGH EFFICIENCY MOTOR FURNACES³								
YZH03611(C)	TM9X080C16MP11	FC/MC62D	1	765	23.8	–	–	3.76
			2	1175	36.0	25.0	10.00	3.96
			2*	765	34.2	23.7	9.50	3.56
	TM9X080C16MP11	FC64D	1	775	24.2	–	–	3.98
			2	1175	36.4	25.0	10.00	4.16
			2*	775	34.5	23.7	9.50	3.74
	TM9X080C16MP11	UC48D	1	775	24.1	–	–	3.98
			2	1175	36.4	25.0	10.00	4.12
			2*	775	34.5	23.7	9.50	3.70
	TM9X100C16MP11	FC/MC/PC48D	1	775	23.9	–	–	3.78
			2	1175	36.0	25.2	10.00	3.96
			2*	775	34.2	23.9	9.50	3.56
	TM9X100C16MP11	FC/MC62D	1	765	23.8	–	–	3.74
			2	1175	36.0	25.0	10.00	3.96
			2*	765	34.2	23.7	9.50	3.56
	TM9X100C16MP11	FC64D	1	775	24.2	–	–	3.98
			2	1175	36.4	25.0	10.00	4.16
			2*	775	34.5	23.7	9.50	3.74
	TM9X100C16MP11	UC48D	1	775	24.1	–	–	3.98
			2	1175	36.4	25.0	10.00	4.12
			2*	775	34.5	23.7	9.50	3.70
	TMLX060A12MP11	FC/MC/PC37A	1	770	23.9	–	–	3.80
			2	1125	36.0	25.6	9.80	3.90
			2*	770	34.2	24.3	9.30	3.50
	TMLX080B12MP11	FC/MC/PC43B	1	805	23.9	–	–	3.84
			2	1175	36.0	25.6	9.85	3.94
			2*	805	34.2	24.3	9.35	3.54
	TMLX080C16MP11	FC/MC/PC43C	1	775	23.5	–	–	3.90
			2	1150	35.6	25.2	10.00	4.04
			2*	775	33.8	23.9	9.50	3.62
	TMLX080C16MP11	FC/MC/PC48C	1	775	23.6	–	–	3.94
			2	1150	35.6	25.2	10.00	4.12
			2*	775	33.8	23.9	9.50	3.70
	TMLX080C16MP11	FC/MC/PC48D	1	805	23.9	–	–	3.90
			2	1175	36.0	25.2	10.00	3.94
			2*	805	34.2	23.9	9.50	3.54
	TMLX080C16MP11	FC/MC/PC60D	1	800	23.9	–	–	3.78
			2	1175	36.0	25.2	10.00	3.90
			2*	800	34.2	23.9	9.50	3.50
	TMLX080C16MP11	FC/MC62D	1	785	23.8	–	–	3.74
			2	1175	36.0	24.8	10.00	3.98
			2*	785	34.2	23.5	9.50	3.58
TMLX080C16MP11	FC/PC60C	1	790	23.6	–	–	3.88	
		2	1175	35.6	25.2	10.00	4.06	
		2*	790	33.8	23.9	9.50	3.64	
TMLX080C16MP11	FC64D	1	795	24.1	–	–	4.02	
		2	1175	36.0	24.8	10.25	4.20	
		2*	795	34.2	23.5	9.70	3.78	
TMLX080C16MP11	UC48C	1	775	24.0	–	–	4.16	
		2	1150	35.8	25.0	9.90	4.32	
		2*	775	34.0	23.7	9.40	3.88	
TMLX080C16MP11	UC48D	1	805	24.1	–	–	4.00	
		2	1175	36.0	25.0	10.25	4.16	
		2*	805	34.2	23.7	9.70	3.74	

For notes, see Page 49.

HEATING CAPACITY - With High Efficiency Motor Furnaces (Continued)

UNIT MODEL	FURNACE MODEL	COIL ¹ MODEL	HEATING ²					
			STAGE	RATED CFM	NET MBH		HSPF	COP @ 47°F
					47°F OD	17°F OD		
18 SEER HP WITH HIGH EFFICIENCY MOTOR FURNACES³								
YZH03611(C)	TMLX080C16MP11	UC60C	1	790	23.3	–	–	3.80
			2	1175	35.4	24.8	10.00	4.02
			2*	790	33.6	23.5	9.50	3.60
	TMLX080C16MP11	UC60D	1	800	23.3	–	–	3.64
			2	1175	35.4	24.8	10.00	3.86
			2*	800	33.6	23.5	9.50	3.46
	TMLX100C16MP11	FC/MC/PC43C	1	775	23.5	–	–	3.90
			2	1150	35.6	25.2	10.00	4.04
			2*	775	33.8	23.9	9.50	3.62
	TMLX100C16MP11	FC/MC/PC48C	1	775	23.6	–	–	3.94
			2	1150	35.6	25.2	10.00	4.12
			2*	775	33.8	23.9	9.50	3.70
	TMLX100C16MP11	FC/MC/PC48D	1	805	23.9	–	–	3.90
			2	1175	36.0	25.2	10.00	3.94
			2*	805	34.2	23.9	9.50	3.54
	TMLX100C16MP11	FC/MC/PC60D	1	800	23.9	–	–	3.78
			2	1175	36.0	25.2	10.00	3.90
			2*	800	34.2	23.9	9.50	3.50
	TMLX100C16MP11	FC/MC62D	1	785	23.8	–	–	3.74
			2	1175	36.0	24.8	10.00	3.98
			2*	785	34.2	23.5	9.50	3.58
	TMLX100C16MP11	FC/PC60C	1	790	23.6	–	–	3.88
			2	1175	35.6	25.2	10.00	4.06
			2*	790	33.8	23.9	9.50	3.64
	TMLX100C16MP11	FC64D	1	795	24.1	–	–	4.02
			2	1175	36.0	24.8	10.25	4.20
			2*	795	34.2	23.5	9.70	3.78
	TMLX100C16MP11	UC48C	1	775	24.0	–	–	4.14
			2	1150	35.8	25.0	9.90	4.32
			2*	775	34.0	23.7	9.40	3.88
	TMLX100C16MP11	UC48D	1	805	24.1	–	–	4.00
			2	1175	36.0	25.0	10.25	4.16
			2*	805	34.2	23.7	9.70	3.74
	TMLX100C16MP11	UC60C	1	790	23.3	–	–	3.78
			2	1175	35.4	24.8	10.00	4.02
			2*	790	33.6	23.5	9.50	3.60
	TMLX100C16MP11	UC60D	1	800	23.3	–	–	3.64
			2	1175	35.4	24.8	10.00	3.86
			2*	800	33.6	23.5	9.50	3.46
	Y*(8,L)C*A12	FC/MC/PC37A	1	730	26.0	–	–	3.70
			2	1150	35.6	26.4	9.40	3.90
			2*	730	33.8	25.0	8.90	3.50
	Y*(8,L)C*B12	FC/MC/PC43B	1	860	26.2	–	–	3.88
			2	1270	36.4	27.0	9.30	4.08
			2*	860	34.5	25.6	8.80	3.66
	Y*(8,L)C*C16	FC/MC/PC43C	1	800	26.4	–	–	4.00
			2	1205	36.0	26.6	9.70	4.20
			2*	800	34.2	25.2	9.20	3.78
	Y*(8,L)C*C16	FC/MC/PC48C	1	725	26.8	–	–	3.80
			2	1195	36.0	26.6	9.80	4.22
			2*	725	34.2	25.2	9.30	3.78
	Y*(8,L)C*C16	FC/PC60C	1	710	27.0	–	–	3.84
			2	1185	35.8	26.4	9.90	4.24
			2*	710	34.0	25.0	9.40	3.80

For notes, see Page 49.

HEATING CAPACITY - With High Efficiency Motor Furnaces (Continued)

UNIT MODEL	FURNACE MODEL	COIL ¹ MODEL	HEATING ²					
			STAGE	RATED CFM	NET MBH		HSPF	COP @ 47°F
					47°F OD	17°F OD		
18 SEER HP WITH HIGH EFFICIENCY MOTOR FURNACES³								
YZH03611(C)	Y*(8,L)C*C16	UC48C	1	810	26.8	–	–	4.24
			2	1210	36.2	26.4	9.90	4.38
			2*	810	34.3	25.0	9.40	3.94
	Y*(8,L)C*C16	UC60C	1	810	26.4	–	–	4.16
			2	1195	36.0	26.0	10.00	4.36
			2*	810	34.2	24.7	9.50	3.92
	Y*(8,L)C*C20	FC/MC/PC43C	1	740	26.2	–	–	3.92
			2	1190	36.0	26.4	9.75	4.22
			2*	740	34.2	25.0	9.25	3.78
	Y*(8,L)C*C20	FC/MC/PC48C	1	715	26.6	–	–	3.68
			2	1150	35.8	26.4	9.85	4.18
			2*	715	34.0	25.0	9.35	3.76
	Y*(8,L)C*C20	FC/PC60C	1	800	27.0	–	–	3.84
			2	1215	36.0	26.4	9.80	4.24
			2*	800	34.2	25.0	9.30	3.80
	Y*(8,L)C*C20	UC48C	1	720	26.6	–	–	4.10
			2	1155	36.0	26.4	10.00	4.36
			2*	720	34.2	25.0	9.50	3.92
	Y*(8,L)C*C20	UC60C	1	800	26.4	–	–	4.16
			2	1215	36.0	26.0	9.90	4.36
			2*	800	34.2	24.7	9.40	3.92
	Y*9C*B12	FC/MC/PC43B	1	815	26.6	–	–	3.96
			2	1200	36.2	27.0	9.40	4.08
			2*	815	34.3	25.6	8.90	3.66
	Y*9C*C16	FC/MC/PC43C	1	815	26.8	–	–	3.80
			2	1240	36.2	26.8	9.60	4.16
			2*	815	34.3	25.4	9.10	3.74
	Y*9C*C16	FC/MC/PC48C	1	780	27.2	–	–	3.78
			2	1195	36.4	27.0	9.80	4.18
			2*	780	34.5	25.6	9.30	3.76
	Y*9C*C16	FC/PC60C	1	810	27.2	–	–	3.80
			2	1235	36.4	27.0	9.70	4.18
			2*	810	34.5	25.6	9.20	3.76
	Y*9C*C16	UC48C	1	780	26.8	–	–	4.22
			2	1195	36.2	26.6	9.80	4.34
			2*	780	34.3	25.2	9.30	3.90
	Y*9C*C16	UC60C	1	810	26.6	–	–	4.12
			2	1235	36.4	26.4	9.70	4.26
			2*	810	34.5	25.0	9.20	3.82
	Y*9C*C20	FC/MC/PC43C	1	780	26.6	–	–	3.68
			2	1200	36.0	26.6	9.70	4.20
			2*	780	34.2	25.2	9.20	3.78
Y*9C*C20	FC/MC/PC48C	1	745	27.0	–	–	3.72	
		2	1305	36.6	27.0	9.60	4.20	
		2*	745	34.7	25.6	9.10	3.78	
Y*9C*C20	FC/PC60C	1	770	26.8	–	–	3.80	
		2	1305	36.6	26.8	9.70	4.22	
		2*	770	34.7	25.4	9.20	3.78	
Y*9C*C20	UC48C	1	755	27.0	–	–	4.12	
		2	1330	36.6	26.8	9.60	4.34	
		2*	755	34.7	25.4	9.10	3.90	
Y*9C*C20	UC60C	1	770	26.4	–	–	4.08	
		2	1325	36.6	26.4	9.70	4.34	
		2*	770	34.7	25.0	9.20	3.90	

For notes, see Page 49.

HEATING CAPACITY - With High Efficiency Motor Furnaces (Continued)

UNIT MODEL	FURNACE MODEL	COIL ¹ MODEL	HEATING ²					
			STAGE	RATED CFM	NET MBH		HSPF	COP @ 47°F
					47°F OD	17°F OD		
18 SEER HP WITH HIGH EFFICIENCY MOTOR FURNACES³								
YZH03611(C)	Y*9C*D20	FC/MC/PC60D	1	830	27.0	—	—	3.86
			2	1225	36.2	26.8	9.90	4.22
			2*	830	34.3	25.4	9.40	3.78
	Y*9C*D20	FC/MC62D	1	835	26.4	—	—	4.12
			2	1235	36.2	26.0	9.80	4.32
			2*	835	34.3	24.7	9.30	3.88
	Y*9C*D20	FC64D	1	835	27.0	—	—	4.30
			2	1235	36.0	26.4	9.85	4.42
			2*	835	34.2	25.0	9.35	3.96
	Y*9C*D20	UC60D	1	830	26.6	—	—	4.14
			2	1225	36.2	26.2	9.80	4.32
			2*	830	34.3	24.8	9.30	3.88
YZH04811(C)	T*(8,L)C*C16	FC/MC/PC48C	1	1120	35.4	—	—	3.62
			2	1565	48.5	32.6	9.25	3.72
			2*	1120	46.0	30.9	8.75	3.34
	T*(8,L)C*C16	FC/PC60C	1	1025	35.4	—	—	3.60
			2	1600	48.0	32.6	9.40	3.76
			2*	1025	45.6	30.9	8.90	3.38
	T*(8,L)C*C16	FC64D	1	1025	35.8	—	—	3.84
			2	1635	48.0	32.4	9.55	3.98
			2*	1025	45.6	30.7	9.05	3.58
	T*(8,L)C*C16	UC48C	1	1035	37.8	—	—	3.80
			2	1615	48.5	37.0	9.50	3.88
			2*	1035	46.0	35.1	9.00	3.48
	T*(8,L)C*C16	UC60C	1	1035	37.4	—	—	3.78
			2	1625	48.5	36.6	9.60	3.90
			2*	1035	46.0	34.7	9.10	3.50
	T*(8,L)C*C20	FC/MC/PC48C	1	1080	35.4	—	—	3.60
			2	1640	48.0	32.6	9.35	3.80
			2*	1080	45.6	30.9	8.85	3.42
	T*(8,L)C*C20	FC/MC62D	1	1015	35.4	—	—	3.68
			2	1615	48.0	32.2	9.70	3.86
			2*	1015	45.6	30.5	9.20	3.46
	T*(8,L)C*C20	FC/PC60C	1	1060	35.2	—	—	3.66
			2	1620	48.0	32.2	9.50	3.80
			2*	1060	45.6	30.5	9.00	3.42
	T*(8,L)C*C20	FC64D	1	1060	35.8	—	—	3.86
			2	1645	48.0	32.2	9.55	3.98
			2*	1060	45.6	30.5	9.05	3.58
	T*(8,L)C*C20	UC48C	1	1080	37.8	—	—	3.80
			2	1640	48.5	37.0	9.50	3.88
			2*	1080	46.0	35.1	9.00	3.48
	T*(8,L)C*C20	UC60C	1	1015	37.4	—	—	3.80
			2	1605	48.5	36.4	9.70	3.94
			2*	1015	46.0	34.5	9.20	3.54
	T*(8,L)V*C16	FC/MC/PC48C	1	1120	35.4	—	—	3.62
			2	1565	48.5	32.6	9.25	3.72
			2*	1120	46.0	30.9	8.75	3.34
	T*(8,L)V*C16	FC/PC60C	1	1025	35.4	—	—	3.60
			2	1600	48.0	32.6	9.40	3.76
			2*	1025	45.6	30.9	8.90	3.38
	T*(8,L)V*C16	FC64D	1	1025	35.8	—	—	3.84
			2	1635	48.0	32.4	9.55	3.98
			2*	1025	45.6	30.7	9.05	3.58

For notes, see Page 49

HEATING CAPACITY - With High Efficiency Motor Furnaces (Continued)

UNIT MODEL	FURNACE MODEL	COIL ¹ MODEL	HEATING ²					
			STAGE	RATED CFM	NET MBH		HSPF	COP @ 47°F
					47°F OD	17°F OD		
18 SEER HP WITH HIGH EFFICIENCY MOTOR FURNACES³								
YZH04811(C)	T*(8,L)V*C16	UC48C	1	1035	37.8	–	–	3.80
			2	1615	48.5	37.0	9.50	3.88
			2*	1035	46.0	35.1	9.00	3.48
	T*(8,L)V*C16	UC60C	1	1035	37.4	–	–	3.78
			2	1625	48.5	36.6	9.60	3.90
			2*	1035	46.0	34.7	9.10	3.50
	T*(8,L)V*C20	FC/MC/PC48C	1	1080	35.4	–	–	3.60
			2	1640	48.0	32.6	9.35	3.80
			2*	1080	45.6	30.9	8.85	3.42
	T*(8,L)V*C20	FC/MC62D	1	1060	35.4	–	–	3.68
			2	1620	48.0	32.2	9.60	3.86
			2*	1060	45.6	30.5	9.10	3.46
	T*(8,L)V*C20	FC/PC60C	1	1060	35.2	–	–	3.66
			2	1620	48.0	32.2	9.50	3.80
			2*	1060	45.6	30.5	9.00	3.42
	T*(8,L)V*C20	FC64D	1	1060	35.8	–	–	3.86
			2	1645	48.0	32.2	9.55	3.98
			2*	1060	45.6	30.5	9.05	3.58
	T*(8,L)V*C20	UC48C	1	1080	37.8	–	–	3.80
			2	1640	48.5	37.0	9.50	3.88
			2*	1080	46.0	35.1	9.00	3.48
	T*(8,L)V*C20	UC60C	1	1015	37.4	–	–	3.80
			2	1605	48.5	36.4	9.70	3.94
			2*	1015	46.0	34.5	9.20	3.54
	T*9(C,V)*C16	FC/MC/PC48C	1	1050	37.0	–	–	3.66
			2	1590	48.5	37.2	9.40	3.76
			2*	1050	46.0	35.3	8.90	3.38
	T*9(C,V)*C16	FC/PC60C	1	1050	35.4	–	–	3.62
			2	1590	48.5	32.6	9.40	3.80
			2*	1050	46.0	30.9	8.90	3.42
	T*9(C,V)*C16	FC64D	1	1040	36.6	–	–	3.86
			2	1590	48.0	32.8	9.50	3.96
			2*	1040	45.6	31.1	9.00	3.56
	T*9(C,V)*C16	UC48C	1	1050	37.8	–	–	3.80
			2	1590	48.5	37.0	9.50	3.86
			2*	1050	46.0	35.1	9.00	3.46
	T*9(C,V)*C16	UC60C	1	1050	37.4	–	–	3.74
			2	1590	48.5	36.8	9.50	3.86
			2*	1050	46.0	34.9	9.00	3.46
	T*9(C,V)*C20	FC/MC/PC48C	1	1055	37.0	–	–	3.68
			2	1655	48.5	37.2	9.40	3.76
			2*	1055	46.0	35.3	8.90	3.38
	T*9(C,V)*C20	FC/PC60C	1	1055	35.4	–	–	3.64
			2	1655	48.5	32.6	9.40	3.80
			2*	1055	46.0	30.9	8.90	3.42
	T*9(C,V)*C20	FC64D	1	1040	36.0	–	–	3.86
			2	1655	48.0	32.6	9.40	3.92
			2*	1040	45.6	30.9	8.90	3.52
T*9(C,V)*C20	UC48C	1	1055	37.8	–	–	3.80	
		2	1655	48.5	37.0	9.50	3.86	
		2*	1055	46.0	35.1	9.00	3.46	
T*9(C,V)*C20	UC60C	1	1055	37.4	–	–	3.76	
		2	1655	48.5	36.8	9.50	3.86	
		2*	1055	46.0	34.9	9.00	3.46	

For notes, see Page 49.

HEATING CAPACITY - With High Efficiency Motor Furnaces (Continued)

UNIT MODEL	FURNACE MODEL	COIL ¹ MODEL	HEATING ²					
			STAGE	RATED CFM	NET MBH		HSPF	COP @ 47°F
					47°F OD	17°F OD		
18 SEER HP WITH HIGH EFFICIENCY MOTOR FURNACES³								
YZH04811(C)	T*9(C,V)*D20	FC/MC/PC48D	1	1060	35.4	—	—	3.60
			2	1645	48.5	32.6	9.40	3.78
			2*	1060	46.0	30.9	8.90	3.40
	T*9(C,V)*D20	FC/MC/PC60D	1	1070	35.6	—	—	3.68
			2	1615	48.5	32.6	9.50	3.80
			2*	1070	46.0	30.9	9.00	3.42
	T*9(C,V)*D20	FC/MC62D	1	1085	35.4	—	—	3.72
			2	1630	48.5	32.4	9.50	3.86
			2*	1085	46.0	30.7	9.00	3.46
	T*9(C,V)*D20	FC64D	1	1085	35.6	—	—	3.92
			2	1630	48.0	32.6	9.50	3.92
			2*	1085	45.6	30.9	9.00	3.52
	T*9(C,V)*D20	UC48D	1	1060	37.8	—	—	3.80
			2	1645	48.5	37.0	9.50	3.86
			2*	1060	46.0	35.1	9.00	3.46
	T*9(C,V)*D20	UC60D	1	1070	37.4	—	—	3.76
			2	1615	48.5	36.6	9.50	3.88
			2*	1070	46.0	34.7	9.00	3.48
	TM8X080C16MP11	FC/MC/PC48C	1	1030	34.7	—	—	3.66
			2	1525	48.0	32.0	9.50	3.78
			2*	1030	45.6	30.4	9.00	3.40
	TM8X080C16MP11	FC/MC/PC48D	1	1045	34.7	—	—	3.50
			2	1550	48.0	31.8	9.20	3.62
			2*	1045	45.6	30.2	8.70	3.24
	TM8X080C16MP11	FC/MC/PC60D	1	1045	34.5	—	—	3.44
			2	1550	48.0	31.8	9.15	3.54
			2*	1045	45.6	30.2	8.65	3.18
	TM8X080C16MP11	FC/MC62D	1	1040	34.1	—	—	3.76
			2	1550	48.0	31.6	9.50	3.78
			2*	1040	45.6	30.0	9.00	3.40
	TM8X080C16MP11	FC/PC60C	1	1020	34.5	—	—	3.60
			2	1525	48.0	31.8	9.40	3.70
			2*	1020	45.6	30.2	8.90	3.32
	TM8X080C16MP11	FC64D	1	1045	34.4	—	—	3.92
			2	1550	48.0	32.0	9.55	3.94
			2*	1045	45.6	30.4	9.05	3.54
	TM8X080C16MP11	UC48C	1	1030	34.6	—	—	3.86
			2	1525	48.0	31.8	9.50	3.86
			2*	1030	45.6	30.2	9.00	3.46
	TM8X080C16MP11	UC48D	1	1045	34.9	—	—	3.72
			2	1550	48.5	31.8	9.25	3.72
			2*	1045	46.0	30.2	8.75	3.34
	TM8X080C16MP11	UC60C	1	1020	34.1	—	—	3.64
			2	1525	47.5	31.6	9.35	3.64
			2*	1020	45.1	30.0	8.85	3.26
	TM8X080C16MP11	UC60D	1	1045	34.1	—	—	3.48
			2	1550	47.5	31.6	9.10	3.48
			2*	1045	45.1	30.0	8.60	3.12
	TM8X100C16MP11	FC/MC/PC48C	1	1030	34.7	—	—	3.66
			2	1525	48.0	32.0	9.50	3.78
			2*	1030	45.6	30.4	9.00	3.40
	TM8X100C16MP11	FC/MC/PC48D	1	1045	34.7	—	—	3.50
			2	1550	48.0	31.8	9.20	3.62
			2*	1045	45.6	30.2	8.70	3.24

For notes, see Page 49.

HEATING CAPACITY - With High Efficiency Motor Furnaces (Continued)

UNIT MODEL	FURNACE MODEL	COIL ¹ MODEL	HEATING ²					
			STAGE	RATED CFM	NET MBH		HSPF	COP @ 47°F
					47°F OD	17°F OD		
18 SEER HP WITH HIGH EFFICIENCY MOTOR FURNACES³								
YZH04811(C)	TM8X100C16MP11	FC/MC/PC60D	1	1045	34.5	–	–	3.44
			2	1550	48.0	31.8	9.15	3.54
			2*	1045	45.6	30.2	8.65	3.18
	TM8X100C16MP11	FC/MC62D	1	1040	34.1	–	–	3.76
			2	1550	48.0	31.6	9.50	3.78
			2*	1040	45.6	30.0	9.00	3.40
	TM8X100C16MP11	FC/PC60C	1	1020	34.5	–	–	3.60
			2	1525	48.0	31.8	9.40	3.70
			2*	1020	45.6	30.2	8.90	3.32
	TM8X100C16MP11	FC64D	1	1045	34.4	–	–	3.94
			2	1550	48.0	32.0	9.55	3.94
			2*	1045	45.6	30.4	9.05	3.54
	TM8X100C16MP11	UC48C	1	1030	34.6	–	–	3.86
			2	1525	48.0	31.8	9.50	3.86
			2*	1030	45.6	30.2	9.00	3.46
	TM8X100C16MP11	UC48D	1	1045	34.9	–	–	3.72
			2	1550	48.5	31.8	9.25	3.72
			2*	1045	46.0	30.2	8.75	3.34
	TM8X100C16MP11	UC60C	1	1020	34.1	–	–	3.64
			2	1525	47.5	31.6	9.35	3.64
			2*	1020	45.1	30.0	8.85	3.26
	TM8X100C16MP11	UC60D	1	1045	34.1	–	–	3.48
			2	1550	47.5	31.6	9.10	3.48
			2*	1045	45.1	30.0	8.60	3.12
	TM8X100C20MP11	FC/MC/PC48C	1	1090	34.7	–	–	3.76
			2	1550	48.0	31.8	9.50	3.78
			2*	1090	45.6	30.2	9.00	3.40
	TM8X100C20MP11	FC/MC/PC48D	1	1105	34.7	–	–	3.62
			2	1575	48.0	31.8	9.25	3.64
			2*	1105	45.6	30.2	8.75	3.26
	TM8X100C20MP11	FC/MC/PC60D	1	1105	34.3	–	–	3.72
			2	1575	47.5	31.6	9.50	3.72
			2*	1105	45.1	30.0	9.00	3.34
	TM8X100C20MP11	FC/MC62D	1	1100	34.3	–	–	3.84
			2	1575	48.0	31.4	9.55	3.84
			2*	1100	45.6	29.8	9.05	3.44
	TM8X100C20MP11	FC/PC60C	1	1085	34.3	–	–	3.54
			2	1550	47.5	31.6	9.15	3.54
			2*	1085	45.1	30.0	8.65	3.18
	TM8X100C20MP11	UC48C	1	1090	34.6	–	–	3.88
			2	1550	47.5	31.8	9.50	3.88
			2*	1090	45.1	30.2	9.00	3.48
	TM8X100C20MP11	UC48D	1	1105	35.1	–	–	3.78
			2	1575	48.5	31.8	9.35	3.78
			2*	1105	46.0	30.2	8.85	3.40
	TM8X100C20MP11	UC60C	1	1085	34.1	–	–	3.52
			2	1550	47.5	31.4	9.15	3.54
			2*	1085	45.1	29.8	8.65	3.18
	TM8X100C20MP11	UC60D	1	1105	34.1	–	–	3.72
			2	1575	47.5	31.4	9.50	3.72
			2*	1105	45.1	29.8	9.00	3.34
	TM8X120C20MP11	FC/MC/PC48C	1	1090	34.7	–	–	3.76
			2	1550	48.0	31.8	9.50	3.78
			2*	1090	45.6	30.2	9.00	3.40

For notes, see Page 49.

HEATING CAPACITY - With High Efficiency Motor Furnaces (Continued)

UNIT MODEL	FURNACE MODEL	COIL ¹ MODEL	HEATING ²					
			STAGE	RATED CFM	NET MBH		HSPF	COP @ 47°F
					47°F OD	17°F OD		
18 SEER HP WITH HIGH EFFICIENCY MOTOR FURNACES³								
YZH04811(C)	TM8X120C20MP11	FC/MC/PC48D	1	1105	34.7	–	–	3.62
			2	1575	48.0	31.8	9.25	3.64
			2*	1105	45.6	30.2	8.75	3.26
	TM8X120C20MP11	FC/MC/PC60D	1	1105	34.3	–	–	3.72
			2	1575	47.5	31.6	9.50	3.72
			2*	1105	45.1	30.0	9.00	3.34
	TM8X120C20MP11	FC/MC62D	1	1100	34.3	–	–	3.84
			2	1575	48.0	31.4	9.55	3.84
			2*	1100	45.6	29.8	9.05	3.44
	TM8X120C20MP11	FC/PC60C	1	1085	34.3	–	–	3.54
			2	1550	47.5	31.6	9.15	3.54
			2*	1085	45.1	30.0	8.65	3.18
	TM8X120C20MP11	UC48C	1	1090	34.6	–	–	3.88
			2	1550	47.5	31.8	9.50	3.88
			2*	1090	45.1	30.2	9.00	3.48
	TM8X120C20MP11	UC48D	1	1105	35.1	–	–	3.78
			2	1575	48.5	31.8	9.35	3.78
			2*	1105	46.0	30.2	8.85	3.40
	TM8X120C20MP11	UC60C	1	1085	34.1	–	–	3.52
			2	1550	47.5	31.4	9.15	3.54
			2*	1085	45.1	29.8	8.65	3.18
	TM8X120C20MP11	UC60D	1	1105	34.1	–	–	3.72
			2	1575	47.5	31.4	9.50	3.72
			2*	1105	45.1	29.8	9.00	3.34
	TM9E100C20MP11	FC/MC/PC48C	1	945	34.5	–	–	3.56
			2	1500	48.0	32.0	9.40	3.68
			2*	945	45.6	30.4	8.90	3.30
	TM9E100C20MP11	FC/MC/PC48D	1	960	34.5	–	–	3.44
			2	1525	48.0	31.8	9.15	3.56
			2*	960	45.6	30.2	8.65	3.20
	TM9E100C20MP11	FC/MC/PC60D	1	960	34.1	–	–	3.46
			2	1525	47.5	31.8	9.05	3.48
			2*	960	45.1	30.2	8.55	3.12
	TM9E100C20MP11	FC/MC62D	1	985	34.1	–	–	3.70
			2	1550	48.0	31.6	9.50	3.78
			2*	985	45.6	30.0	9.00	3.40
	TM9E100C20MP11	FC64D	1	980	34.4	–	–	3.80
			2	1550	48.0	32.0	9.40	3.92
			2*	980	45.6	30.4	8.90	3.52
	TM9E100C20MP11	UC48C	1	945	34.6	–	–	3.80
			2	1500	48.0	32.0	9.50	3.84
			2*	945	45.6	30.4	9.00	3.44
	TM9E100C20MP11	UC48D	1	960	34.6	–	–	3.66
			2	1525	48.0	31.8	9.25	3.72
			2*	960	45.6	30.2	8.75	3.34
	TM9E100C20MP11	UC60D	1	960	34.1	–	–	3.38
			2	1525	47.5	31.6	9.05	3.48
			2*	960	45.1	30.0	8.55	3.12
TM9E120D20MP11	FC/MC/PC48D	1	965	34.5	–	–	3.64	
		2	1525	48.0	31.8	9.40	3.78	
		2*	965	45.6	30.2	8.90	3.40	
TM9E120D20MP11	FC/MC/PC60D	1	980	34.3	–	–	3.62	
		2	1550	47.5	31.8	9.50	3.72	
		2*	980	45.1	30.2	9.00	3.34	

For notes, see Page 49.

HEATING CAPACITY - With High Efficiency Motor Furnaces (Continued)

UNIT MODEL	FURNACE MODEL	COIL ¹ MODEL	HEATING ²					
			STAGE	RATED CFM	NET MBH		HSPF	COP @ 47°F
					47°F OD	17°F OD		
18 SEER HP WITH HIGH EFFICIENCY MOTOR FURNACES³								
YZH04811(C)	TM9E120D20MP11	FC/MC62D	1	980	34.1	—	—	3.70
			2	1550	48.0	31.4	9.55	3.80
			2*	980	45.6	29.8	9.05	3.42
	TM9E120D20MP11	FC64D	1	960	34.2	—	—	3.68
			2	1525	48.0	31.8	9.35	3.78
			2*	960	45.6	30.2	8.85	3.40
	TM9E120D20MP11	UC48D	1	965	34.9	—	—	3.82
			2	1525	48.0	31.8	9.50	3.86
			2*	965	45.6	30.2	9.00	3.46
	TM9E120D20MP11	UC60D	1	980	33.9	—	—	3.66
			2	1550	47.5	31.4	9.45	3.66
			2*	980	45.1	29.8	8.95	3.28
	TM9X100C20MP11	FC/MC/PC48C	1	945	34.5	—	—	3.56
			2	1500	48.0	32.0	9.40	3.68
			2*	945	45.6	30.4	8.90	3.30
	TM9X100C20MP11	FC/MC/PC48D	1	960	34.5	—	—	3.44
			2	1525	48.0	31.8	9.15	3.56
			2*	960	45.6	30.2	8.65	3.20
	TM9X100C20MP11	FC/MC/PC60D	1	960	34.1	—	—	3.46
			2	1525	47.5	31.8	9.05	3.48
			2*	960	45.1	30.2	8.55	3.12
	TM9X100C20MP11	FC/MC62D	1	985	34.1	—	—	3.70
			2	1550	48.0	31.6	9.50	3.78
			2*	985	45.6	30.0	9.00	3.40
	TM9X100C20MP11	FC64D	1	980	34.4	—	—	3.80
			2	1550	48.0	32.0	9.40	3.92
			2*	980	45.6	30.4	8.90	3.52
	TM9X100C20MP11	UC48C	1	945	34.6	—	—	3.80
			2	1500	48.0	32.0	9.50	3.84
			2*	945	45.6	30.4	9.00	3.44
	TM9X100C20MP11	UC48D	1	960	34.6	—	—	3.66
			2	1525	48.0	31.8	9.25	3.72
			2*	960	45.6	30.2	8.75	3.34
	TM9X100C20MP11	UC60D	1	960	34.1	—	—	3.38
			2	1525	47.5	31.6	9.05	3.48
			2*	960	45.1	30.0	8.55	3.12
	TM9X120D20MP11	FC/MC/PC48D	1	965	34.5	—	—	3.64
			2	1525	48.0	31.8	9.40	3.78
			2*	965	45.6	30.2	8.90	3.40
	TM9X120D20MP11	FC/MC/PC60D	1	980	34.3	—	—	3.62
			2	1550	47.5	31.8	9.50	3.72
			2*	980	45.1	30.2	9.00	3.34
	TM9X120D20MP11	FC/MC62D	1	980	34.1	—	—	3.70
			2	1550	48.0	31.4	9.55	3.80
			2*	980	45.6	29.8	9.05	3.42
	TM9X120D20MP11	FC64D	1	960	34.2	—	—	3.68
			2	1525	48.0	31.8	9.35	3.78
			2*	960	45.6	30.2	8.85	3.40
TM9X120D20MP11	UC48D	1	965	34.9	—	—	3.82	
		2	1525	48.0	31.8	9.50	3.86	
		2*	965	45.6	30.2	9.00	3.46	
TM9X120D20MP11	UC60D	1	980	33.9	—	—	3.66	
		2	1550	47.5	31.4	9.45	3.66	
		2*	980	45.1	29.8	8.95	3.28	

For notes, see Page 49.

HEATING CAPACITY - With High Efficiency Motor Furnaces (Continued)

UNIT MODEL	FURNACE MODEL	COIL ¹ MODEL	HEATING ²					
			STAGE	RATED CFM	NET MBH		HSPF	COP @ 47°F
					47°F OD	17°F OD		
18 SEER HP WITH HIGH EFFICIENCY MOTOR FURNACES³								
YZH04811(C)	TMLX080C16MP11	FC/MC/PC48C	1	1030	34.7	–	–	3.66
			2	1525	48.0	32.0	9.50	3.78
			2*	1030	45.6	30.4	9.00	3.40
	TMLX080C16MP11	FC/MC/PC48D	1	1045	34.7	–	–	3.50
			2	1550	48.0	31.8	9.20	3.62
			2*	1045	45.6	30.2	8.70	3.24
	TMLX080C16MP11	FC/MC/PC60D	1	1045	34.5	–	–	3.44
			2	1550	48.0	31.8	9.15	3.54
			2*	1045	45.6	30.2	8.65	3.18
	TMLX080C16MP11	FC/MC62D	1	1040	34.1	–	–	3.76
			2	1550	48.0	31.6	9.50	3.78
			2*	1040	45.6	30.0	9.00	3.40
	TMLX080C16MP11	FC/PC60C	1	1020	34.5	–	–	3.60
			2	1525	48.0	31.8	9.40	3.70
			2*	1020	45.6	30.2	8.90	3.32
	TMLX080C16MP11	FC64D	1	1045	34.4	–	–	3.92
			2	1550	48.0	32.0	9.55	3.94
			2*	1045	45.6	30.4	9.05	3.54
	TMLX080C16MP11	UC48C	1	1030	34.6	–	–	3.86
			2	1525	48.0	31.8	9.50	3.86
			2*	1030	45.6	30.2	9.00	3.46
	TMLX080C16MP11	UC48D	1	1045	34.9	–	–	3.72
			2	1550	48.5	31.8	9.25	3.72
			2*	1045	46.0	30.2	8.75	3.34
	TMLX080C16MP11	UC60C	1	1020	34.1	–	–	3.64
			2	1525	47.5	31.6	9.35	3.64
			2*	1020	45.1	30.0	8.85	3.26
	TMLX080C16MP11	UC60D	1	1045	34.1	–	–	3.48
			2	1550	47.5	31.6	9.10	3.48
			2*	1045	45.1	30.0	8.60	3.12
	TMLX100C16MP11	FC/MC/PC48C	1	1030	34.7	–	–	3.66
			2	1525	48.0	32.0	9.50	3.78
			2*	1030	45.6	30.4	9.00	3.40
	TMLX100C16MP11	FC/MC/PC48D	1	1045	34.7	–	–	3.50
			2	1550	48.0	31.8	9.20	3.62
			2*	1045	45.6	30.2	8.70	3.24
	TMLX100C16MP11	FC/MC/PC60D	1	1045	34.5	–	–	3.44
			2	1550	48.0	31.8	9.15	3.54
			2*	1045	45.6	30.2	8.65	3.18
	TMLX100C16MP11	FC/MC62D	1	1040	34.1	–	–	3.76
			2	1550	48.0	31.6	9.50	3.78
			2*	1040	45.6	30.0	9.00	3.40
	TMLX100C16MP11	FC/PC60C	1	1020	34.5	–	–	3.60
			2	1525	48.0	31.8	9.40	3.70
			2*	1020	45.6	30.2	8.90	3.32
	TMLX100C16MP11	FC64D	1	1045	34.4	–	–	3.94
			2	1550	48.0	32.0	9.55	3.94
			2*	1045	45.6	30.4	9.05	3.54
	TMLX100C16MP11	UC48C	1	1030	34.6	–	–	3.86
			2	1525	48.0	31.8	9.50	3.86
			2*	1030	45.6	30.2	9.00	3.46
	TMLX100C16MP11	UC48D	1	1045	34.9	–	–	3.72
			2	1550	48.5	31.8	9.25	3.72
			2*	1045	46.0	30.2	8.75	3.34

For notes, see Page 49

HEATING CAPACITY - With High Efficiency Motor Furnaces (Continued)

UNIT MODEL	FURNACE MODEL	COIL ¹ MODEL	HEATING ²					
			STAGE	RATED CFM	NET MBH		HSPF	COP @ 47°F
					47°F OD	17°F OD		
18 SEER HP WITH HIGH EFFICIENCY MOTOR FURNACES³								
YZH04811(C)	TMLX100C16MP11	UC60C	1	1020	34.1	–	–	3.64
			2	1525	47.5	31.6	9.35	3.64
			2*	1020	45.1	30.0	8.85	3.26
	TMLX100C16MP11	UC60D	1	1045	34.1	–	–	3.48
			2	1550	47.5	31.6	9.10	3.48
			2*	1045	45.1	30.0	8.60	3.12
	TMLX100C20MP11	FC/MC/PC48C	1	1090	34.7	–	–	3.76
			2	1550	48.0	31.8	9.50	3.78
			2*	1090	45.6	30.2	9.00	3.40
	TMLX100C20MP11	FC/MC/PC48D	1	1105	34.7	–	–	3.62
			2	1575	48.0	31.8	9.25	3.64
			2*	1105	45.6	30.2	8.75	3.26
	TMLX100C20MP11	FC/MC/PC60D	1	1105	34.3	–	–	3.72
			2	1575	47.5	31.6	9.50	3.72
			2*	1105	45.1	30.0	9.00	3.34
	TMLX100C20MP11	FC/MC62D	1	1100	34.3	–	–	3.84
			2	1575	48.0	31.4	9.55	3.84
			2*	1100	45.6	29.8	9.05	3.44
	TMLX100C20MP11	FC/PC60C	1	1085	34.3	–	–	3.54
			2	1550	47.5	31.6	9.15	3.54
			2*	1085	45.1	30.0	8.65	3.18
	TMLX100C20MP11	UC48C	1	1090	34.6	–	–	3.88
			2	1550	47.5	31.8	9.50	3.88
			2*	1090	45.1	30.2	9.00	3.48
	TMLX100C20MP11	UC48D	1	1105	35.1	–	–	3.78
			2	1575	48.5	31.8	9.35	3.78
			2*	1105	46.0	30.2	8.85	3.40
	TMLX100C20MP11	UC60C	1	1085	34.1	–	–	3.52
			2	1550	47.5	31.4	9.15	3.54
			2*	1085	45.1	29.8	8.65	3.18
	TMLX100C20MP11	UC60D	1	1105	34.1	–	–	3.72
			2	1575	47.5	31.4	9.50	3.72
			2*	1105	45.1	29.8	9.00	3.34
	TMLX120C20MP11	FC/MC/PC48C	1	1090	34.7	–	–	3.76
			2	1550	48.0	31.8	9.50	3.78
			2*	1090	45.6	30.2	9.00	3.40
	TMLX120C20MP11	FC/MC/PC48D	1	1105	34.7	–	–	3.62
			2	1575	48.0	31.8	9.25	3.64
			2*	1105	45.6	30.2	8.75	3.26
	TMLX120C20MP11	FC/MC/PC60D	1	1105	34.3	–	–	3.72
			2	1575	47.5	31.6	9.50	3.72
			2*	1105	45.1	30.0	9.00	3.34
	TMLX120C20MP11	FC/MC62D	1	1100	34.3	–	–	3.84
			2	1575	48.0	31.4	9.55	3.84
			2*	1100	45.6	29.8	9.05	3.44
	TMLX120C20MP11	FC/PC60C	1	1085	34.3	–	–	3.54
			2	1550	47.5	31.6	9.15	3.54
			2*	1085	45.1	30.0	8.65	3.18
	TMLX120C20MP11	UC48C	1	1090	34.6	–	–	3.88
			2	1550	47.5	31.8	9.50	3.88
			2*	1090	45.1	30.2	9.00	3.48
	TMLX120C20MP11	UC48D	1	1105	35.1	–	–	3.78
			2	1575	48.5	31.8	9.35	3.78
			2*	1105	46.0	30.2	8.85	3.40

For notes, see Page 49.

HEATING CAPACITY - With High Efficiency Motor Furnaces (Continued)

UNIT MODEL	FURNACE MODEL	COIL ¹ MODEL	HEATING ²					
			STAGE	RATED CFM	NET MBH		HSPF	COP @ 47°F
					47°F OD	17°F OD		
18 SEER HP WITH HIGH EFFICIENCY MOTOR FURNACES³								
YZH04811(C)	TMLX120C20MP11	UC60C	1	1085	34.1	—	—	3.52
			2	1550	47.5	31.4	9.15	3.54
			2*	1085	45.1	29.8	8.65	3.18
	TMLX120C20MP11	UC60D	1	1105	34.1	—	—	3.72
			2	1575	47.5	31.4	9.50	3.72
			2*	1105	45.1	29.8	9.00	3.34
	Y*(8,L)C*C16	FC/MC/PC48C	1	1120	35.4	—	—	3.62
			2	1565	48.5	32.6	9.25	3.72
			2*	1120	46.0	30.9	8.75	3.34
	Y*(8,L)C*C16	FC/PC60C	1	1025	35.4	—	—	3.60
			2	1600	48.0	32.6	9.40	3.76
			2*	1025	45.6	30.9	8.90	3.38
	Y*(8,L)C*C16	FC64D	1	1025	35.8	—	—	3.84
			2	1635	48.0	32.4	9.55	3.98
			2*	1025	45.6	30.7	9.05	3.58
	Y*(8,L)C*C16	UC48C	1	1035	37.8	—	—	3.80
			2	1615	48.5	37.0	9.50	3.88
			2*	1035	46.0	35.1	9.00	3.48
	Y*(8,L)C*C16	UC60C	1	1035	37.4	—	—	3.78
			2	1625	48.5	36.6	9.60	3.90
			2*	1035	46.0	34.7	9.10	3.50
	Y*(8,L)C*C20	FC/MC/PC48C	1	1080	35.4	—	—	3.60
			2	1640	48.0	32.6	9.35	3.80
			2*	1080	45.6	30.9	8.85	3.42
	Y*(8,L)C*C20	FC/MC62D	1	1060	35.4	—	—	3.68
			2	1620	48.0	32.2	9.60	3.86
			2*	1060	45.6	30.5	9.10	3.46
	Y*(8,L)C*C20	FC/PC60C	1	1060	35.2	—	—	3.66
			2	1620	48.0	32.2	9.50	3.80
			2*	1060	45.6	30.5	9.00	3.42
	Y*(8,L)C*C20	FC64D	1	1060	35.8	—	—	3.86
			2	1645	48.0	32.2	9.55	3.98
			2*	1060	45.6	30.5	9.05	3.58
	Y*(8,L)C*C20	UC48C	1	1080	37.8	—	—	3.80
			2	1640	48.5	37.0	9.50	3.88
			2*	1080	46.0	35.1	9.00	3.48
	Y*(8,L)C*C20	UC60C	1	1015	37.4	—	—	3.80
			2	1605	48.5	36.4	9.70	3.94
			2*	1015	46.0	34.5	9.20	3.54
	Y*9C*C16	FC/MC/PC48C	1	1050	37.0	—	—	3.66
			2	1590	48.5	37.2	9.40	3.76
			2*	1050	46.0	35.3	8.90	3.38
	Y*9C*C16	FC/PC60C	1	1050	35.4	—	—	3.62
			2	1590	48.5	32.6	9.40	3.80
			2*	1050	46.0	30.9	8.90	3.42
	Y*9C*C16	FC64D	1	1040	36.6	—	—	3.86
			2	1590	48.0	32.8	9.50	3.96
			2*	1040	45.6	31.1	9.00	3.56
Y*9C*C16	UC48C	1	1050	37.8	—	—	3.80	
		2	1590	48.5	37.0	9.50	3.86	
		2*	1050	46.0	35.1	9.00	3.46	
Y*9C*C16	UC60C	1	1050	37.4	—	—	3.74	
		2	1590	48.5	36.8	9.50	3.86	
		2*	1050	46.0	34.9	9.00	3.46	

For notes, see Page 49

HEATING CAPACITY - With High Efficiency Motor Furnaces (Continued)

UNIT MODEL	FURNACE MODEL	COIL ¹ MODEL	HEATING ²						
			STAGE	RATED CFM	NET MBH		HSPF	COP @ 47°F	
					47°F OD	17°F OD			
18 SEER HP WITH HIGH EFFICIENCY MOTOR FURNACES³									
YZH04811(C)	Y*9C*C20	FC/MC/PC48C	1	1055	37.0	–	–	3.68	
			2	1655	48.5	37.2	9.40	3.76	
			2*	1055	46.0	35.3	8.90	3.38	
	Y*9C*C20	FC/PC60C	1	1055	35.4	–	–	3.64	
			2	1655	48.5	32.6	9.40	3.80	
			2*	1055	46.0	30.9	8.90	3.42	
	Y*9C*C20	FC64D	1	1040	36.0	–	–	3.86	
			2	1655	48.0	32.6	9.40	3.92	
			2*	1040	45.6	30.9	8.90	3.52	
	Y*9C*C20	UC48C	1	1055	37.8	–	–	3.80	
			2	1655	48.5	37.0	9.50	3.86	
			2*	1055	46.0	35.1	9.00	3.46	
	Y*9C*C20	UC60C	1	1055	37.4	–	–	3.76	
			2	1655	48.5	36.8	9.50	3.86	
			2*	1055	46.0	34.9	9.00	3.46	
	Y*9C*D20	FC/MC/PC48D	1	1060	35.4	–	–	3.60	
			2	1645	48.5	32.6	9.40	3.78	
			2*	1060	46.0	30.9	8.90	3.40	
	Y*9C*D20	FC/MC/PC60D	1	1070	35.6	–	–	3.68	
			2	1615	48.5	32.6	9.50	3.80	
			2*	1070	46.0	30.9	9.00	3.42	
	Y*9C*D20	FC/MC62D	1	1085	35.4	–	–	3.72	
			2	1630	48.5	32.4	9.50	3.86	
			2*	1085	46.0	30.7	9.00	3.46	
	Y*9C*D20	FC64D	1	1085	35.6	–	–	3.92	
			2	1630	48.0	32.6	9.50	3.92	
			2*	1085	45.6	30.9	9.00	3.52	
	Y*9C*D20	UC48D	1	1060	37.8	–	–	3.80	
			2	1645	48.5	37.0	9.50	3.86	
			2*	1060	46.0	35.1	9.00	3.46	
	Y*9C*D20	UC60D	1	1070	37.4	–	–	3.76	
			2	1615	48.5	36.6	9.50	3.88	
			2*	1070	46.0	34.7	9.00	3.48	
	YZH06011(C)	T*(8,L)C*C20	FC/MC/PC60D	1	1015	42.5	–	–	3.16
				2	1605	57.5	39.5	9.30	3.58
				2*	1015	54.6	37.5	8.80	3.22
T*(8,L)C*C20		FC/MC62D	1	1015	42.5	–	–	3.22	
			2	1615	57.5	39.0	9.30	3.68	
			2*	1015	54.6	37.0	8.80	3.30	
T*(8,L)C*C20		FC/PC60C	1	1060	42.5	–	–	3.16	
			2	1620	57.5	39.5	9.10	3.50	
			2*	1060	54.6	37.5	8.60	3.14	
T*(8,L)C*C20		FC64D	1	1060	43.0	–	–	3.32	
			2	1855	57.0	39.0	9.10	3.76	
			2*	1060	54.1	37.0	8.60	3.38	
T*(8,L)C*C20		UC60C	1	1015	43.0	–	–	3.26	
			2	1605	57.5	39.0	9.30	3.66	
			2*	1015	54.6	37.0	8.80	3.28	
T*(8,L)V*C20		FC/MC/PC60D	1	1015	42.5	–	–	3.16	
			2	1605	57.5	39.5	9.30	3.58	
			2*	1015	54.6	37.5	8.80	3.22	
T*(8,L)V*C20		FC/MC62D	1	1015	42.5	–	–	3.22	
			2	1600	57.5	39.0	9.10	3.68	
			2*	1015	54.6	37.0	8.60	3.30	

For notes, see Page 49.

HEATING CAPACITY - With High Efficiency Motor Furnaces (Continued)

UNIT MODEL	FURNACE MODEL	COIL ¹ MODEL	HEATING ²					
			STAGE	RATED CFM	NET MBH		HSPF	COP @ 47°F
					47°F OD	17°F OD		
18 SEER HP WITH HIGH EFFICIENCY MOTOR FURNACES³								
YZH06011(C)	T*(8,L)V*C20	FC/PC60C	1	1060	42.5	—	—	3.16
			2	1600	57.5	39.5	9.15	3.56
			2*	1060	54.6	37.5	8.65	3.20
	T*(8,L)V*C20	FC64D	1	1060	43.0	—	—	3.32
			2	1855	57.0	39.0	9.10	3.76
			2*	1060	54.1	37.0	8.60	3.38
	T*(8,L)V*C20	UC60C	1	1015	43.0	—	—	3.26
			2	1605	57.5	39.0	9.30	3.66
			2*	1015	54.6	37.0	8.80	3.28
	T*9(C,V)*C20	FC/MC/PC60D	1	1055	43.0	—	—	3.14
			2	1655	58.0	39.5	9.10	3.52
			2*	1055	55.1	37.5	8.60	3.16
	T*9(C,V)*C20	FC/MC62D	1	1040	43.0	—	—	3.20
			2	1655	58.0	39.5	9.10	3.60
			2*	1040	55.1	37.5	8.60	3.24
	T*9(C,V)*C20	FC/PC60C	1	1055	42.5	—	—	3.14
			2	1655	58.0	39.5	9.10	3.52
			2*	1055	55.1	37.5	8.60	3.16
	T*9(C,V)*C20	FC64D	1	1040	43.0	—	—	3.34
			2	1655	57.0	39.5	9.10	3.70
			2*	1040	54.1	37.5	8.60	3.32
	T*9(C,V)*C20	UC60C	1	1055	43.0	—	—	3.24
			2	1655	58.0	39.5	9.20	3.60
			2*	1055	55.1	37.5	8.70	3.24
	T*9(C,V)*D20	FC/MC/PC60D	1	1070	43.0	—	—	3.20
			2	1615	58.0	39.5	9.20	3.54
			2*	1070	55.1	37.5	8.70	3.18
	T*9(C,V)*D20	FC/MC62D	1	1085	43.0	—	—	3.28
			2	1630	58.0	39.5	9.20	3.62
			2*	1085	55.1	37.5	8.70	3.24
	T*9(C,V)*D20	FC64D	1	1085	43.5	—	—	3.38
			2	1630	57.0	39.5	9.20	3.70
			2*	1085	54.1	37.5	8.70	3.32
	T*9(C,V)*D20	UC60D	1	1070	43.0	—	—	3.28
			2	1615	58.0	39.5	9.20	3.62
			2*	1070	55.1	37.5	8.70	3.24
	TM8X080C16MP11	FC/MC/PC60D	1	1045	40.2	—	—	3.00
			2	1550	57.0	36.4	8.80	3.22
			2*	1045	54.1	34.5	8.35	2.88
	TM8X080C16MP11	FC/MC62D	1	1040	40.2	—	—	3.12
			2	1550	57.0	38.0	8.80	3.36
			2*	1040	54.1	36.1	8.35	3.02
	TM8X080C16MP11	FC/PC60C	1	1020	40.2	—	—	2.98
			2	1525	57.0	36.6	8.75	3.22
			2*	1020	54.1	34.7	8.30	2.88
	TM8X080C16MP11	FC64D	1	1045	40.7	—	—	3.26
			2	1550	57.0	38.0	8.85	3.52
			2*	1045	54.1	36.1	8.40	3.16
	TM8X080C16MP11	UC60C	1	1020	39.7	—	—	2.96
			2	1525	57.0	37.0	8.75	3.22
			2*	1020	54.1	35.1	8.30	2.88
	TM8X080C16MP11	UC60D	1	1045	39.7	—	—	2.96
			2	1550	57.0	36.8	8.80	3.22
			2*	1045	54.1	34.9	8.35	2.88

For notes, see Page 49.

HEATING CAPACITY - With High Efficiency Motor Furnaces (Continued)

UNIT MODEL	FURNACE MODEL	COIL ¹ MODEL	HEATING ²					
			STAGE	RATED CFM	NET MBH		HSPF	COP @ 47°F
					47°F OD	17°F OD		
18 SEER HP WITH HIGH EFFICIENCY MOTOR FURNACES³								
YZH06011(C)	TM8X100C16MP11	FC/MC/PC60D	1	1045	40.2	–	–	3.00
			2	1550	57.0	36.4	8.80	3.22
			2*	1045	54.1	34.5	8.35	2.88
	TM8X100C16MP11	FC/MC62D	1	1040	40.2	–	–	3.12
			2	1550	57.0	38.0	8.80	3.36
			2*	1040	54.1	36.1	8.35	3.02
	TM8X100C16MP11	FC/PC60C	1	1020	40.2	–	–	3.00
			2	1525	57.0	36.6	8.75	3.22
			2*	1020	54.1	34.7	8.30	2.88
	TM8X100C16MP11	FC64D	1	1045	40.7	–	–	3.26
			2	1550	57.0	38.0	8.85	3.52
			2*	1045	54.1	36.1	8.40	3.16
	TM8X100C16MP11	UC60C	1	1020	39.7	–	–	2.96
			2	1525	57.0	37.0	8.75	3.22
			2*	1020	54.1	35.1	8.30	2.88
	TM8X100C16MP11	UC60D	1	1045	39.7	–	–	2.96
			2	1550	57.0	36.8	8.80	3.22
			2*	1045	54.1	34.9	8.35	2.88
	TM8X100C20MP11	FC/MC/PC60D	1	1105	40.2	–	–	3.20
			2	1575	57.0	36.4	9.15	3.44
			2*	1105	54.1	34.5	8.65	3.08
	TM8X100C20MP11	FC/MC62D	1	1100	40.2	–	–	3.34
			2	1575	57.0	38.0	9.15	3.56
			2*	1100	54.1	36.1	8.65	3.20
	TM8X100C20MP11	FC/PC60C	1	1085	40.2	–	–	3.22
			2	1550	57.0	36.4	9.15	3.42
			2*	1085	54.1	34.5	8.65	3.06
	TM8X100C20MP11	UC60C	1	1085	40.2	–	–	3.18
			2	1550	57.0	36.6	9.15	3.42
			2*	1085	54.1	34.7	8.65	3.06
	TM8X100C20MP11	UC60D	1	1105	40.2	–	–	3.20
			2	1575	57.0	36.4	9.15	3.44
			2*	1105	54.1	34.5	8.65	3.08
	TM8X120C20MP11	FC/MC/PC60D	1	1105	40.2	–	–	3.20
			2	1575	57.0	36.4	9.15	3.44
			2*	1105	54.1	34.5	8.65	3.08
	TM8X120C20MP11	FC/MC62D	1	1100	40.2	–	–	3.34
			2	1575	57.0	38.0	9.15	3.56
			2*	1100	54.1	36.1	8.65	3.20
	TM8X120C20MP11	FC/PC60C	1	1085	40.2	–	–	3.22
			2	1550	57.0	36.4	9.15	3.42
			2*	1085	54.1	34.5	8.65	3.06
TM8X120C20MP11	UC60C	1	1085	40.2	–	–	3.18	
		2	1550	57.0	36.6	9.15	3.42	
		2*	1085	54.1	34.7	8.65	3.06	
TM8X120C20MP11	UC60D	1	1105	40.2	–	–	3.20	
		2	1575	57.0	36.4	9.15	3.44	
		2*	1105	54.1	34.5	8.65	3.08	
TM9E100C20MP11	FC/MC/PC60D	1	960	40.2	–	–	3.04	
		2	1525	57.0	36.6	9.10	3.38	
		2*	960	54.1	34.7	8.60	3.04	
TM9E100C20MP11	FC/MC62D	1	985	40.2	–	–	3.20	
		2	1550	57.0	38.0	9.10	3.52	
		2*	985	54.1	36.1	8.60	3.16	

For notes, see Page 49.

HEATING CAPACITY - With High Efficiency Motor Furnaces (Continued)

UNIT MODEL	FURNACE MODEL	COIL ¹ MODEL	HEATING ²					
			STAGE	RATED CFM	NET MBH		HSPF	COP @ 47°F
					47°F OD	17°F OD		
18 SEER HP WITH HIGH EFFICIENCY MOTOR FURNACES³								
YZH06011(C)	TM9E100C20MP11	FC64D	1	980	40.7	–	–	3.34
			2	1550	57.0	38.0	9.10	3.68
			2*	980	54.1	36.1	8.60	3.30
	TM9E100C20MP11	UC60D	1	960	39.7	–	–	3.02
			2	1525	57.0	36.8	9.05	3.38
			2*	960	54.1	34.9	8.55	3.04
	TM9E120D20MP11	FC/MC/PC60D	1	980	40.2	–	–	3.14
			2	1550	57.0	36.4	9.15	3.40
			2*	980	54.1	34.5	8.65	3.06
	TM9E120D20MP11	FC/MC62D	1	980	40.2	–	–	3.20
			2	1550	57.0	38.0	9.15	3.54
			2*	980	54.1	36.1	8.65	3.18
	TM9E120D20MP11	FC64D	1	960	40.7	–	–	3.30
			2	1525	57.0	38.0	9.15	3.66
			2*	960	54.1	36.1	8.65	3.28
	TM9E120D20MP11	UC60D	1	980	39.7	–	–	3.12
			2	1550	57.0	36.8	9.10	3.40
			2*	980	54.1	34.9	8.60	3.06
	TM9X100C20MP11	FC/MC/PC60D	1	960	40.2	–	–	3.04
			2	1525	57.0	36.6	9.10	3.38
			2*	960	54.1	34.7	8.60	3.04
	TM9X100C20MP11	FC/MC62D	1	985	40.2	–	–	3.20
			2	1550	57.0	38.0	9.10	3.52
			2*	985	54.1	36.1	8.60	3.16
	TM9X100C20MP11	FC64D	1	980	40.7	–	–	3.34
			2	1550	57.0	38.0	9.10	3.68
			2*	980	54.1	36.1	8.60	3.30
	TM9X100C20MP11	UC60D	1	960	39.7	–	–	3.02
			2	1525	57.0	36.8	9.05	3.38
			2*	960	54.1	34.9	8.55	3.04
	TM9X120D20MP11	FC/MC/PC60D	1	980	40.2	–	–	3.14
			2	1550	57.0	36.4	9.15	3.40
			2*	980	54.1	34.5	8.65	3.06
	TM9X120D20MP11	FC/MC62D	1	980	40.2	–	–	3.20
			2	1550	57.0	38.0	9.15	3.54
			2*	980	54.1	36.1	8.65	3.18
	TM9X120D20MP11	FC64D	1	960	40.7	–	–	3.30
			2	1525	57.0	38.0	9.15	3.66
			2*	960	54.1	36.1	8.65	3.28
	TM9X120D20MP11	UC60D	1	980	39.7	–	–	3.12
			2	1550	57.0	36.8	9.10	3.40
			2*	980	54.1	34.9	8.60	3.06
	TMLX080C16MP11	FC/MC/PC60D	1	1045	40.2	–	–	3.00
			2	1550	57.0	36.4	8.80	3.22
			2*	1045	54.1	34.5	8.35	2.88
	TMLX080C16MP11	FC/MC62D	1	1040	40.2	–	–	3.12
			2	1550	57.0	38.0	8.80	3.36
			2*	1040	54.1	36.1	8.35	3.02
TMLX080C16MP11	FC/PC60C	1	1020	40.2	–	–	2.98	
		2	1525	57.0	36.6	8.75	3.22	
		2*	1020	54.1	34.7	8.30	2.88	
TMLX080C16MP11	FC64D	1	1045	40.7	–	–	3.26	
		2	1550	57.0	38.0	8.85	3.52	
		2*	1045	54.1	36.1	8.40	3.16	

For notes, see Page 49.

HEATING CAPACITY - With High Efficiency Motor Furnaces (Continued)

UNIT MODEL	FURNACE MODEL	COIL ¹ MODEL	HEATING ²					
			STAGE	RATED CFM	NET MBH		HSPF	COP @ 47°F
					47°F OD	17°F OD		
18 SEER HP WITH HIGH EFFICIENCY MOTOR FURNACES³								
YZH06011(C)	TMLX080C16MP11	UC60C	1	1020	39.7	–	–	2.96
			2	1525	57.0	37.0	8.75	3.22
			2*	1020	54.1	35.1	8.30	2.88
	TMLX080C16MP11	UC60D	1	1045	39.7	–	–	2.96
			2	1550	57.0	36.8	8.80	3.22
			2*	1045	54.1	34.9	8.35	2.88
	TMLX100C16MP11	FC/MC/PC60D	1	1045	40.2	–	–	3.00
			2	1550	57.0	36.4	8.80	3.22
			2*	1045	54.1	34.5	8.35	2.88
	TMLX100C16MP11	FC/MC62D	1	1040	40.2	–	–	3.12
			2	1550	57.0	38.0	8.80	3.36
			2*	1040	54.1	36.1	8.35	3.02
	TMLX100C16MP11	FC/PC60C	1	1020	40.2	–	–	3.00
			2	1525	57.0	36.6	8.75	3.22
			2*	1020	54.1	34.7	8.30	2.88
	TMLX100C16MP11	FC64D	1	1045	40.7	–	–	3.26
			2	1550	57.0	38.0	8.85	3.52
			2*	1045	54.1	36.1	8.40	3.16
	TMLX100C16MP11	UC60C	1	1020	39.7	–	–	2.96
			2	1525	57.0	37.0	8.75	3.22
			2*	1020	54.1	35.1	8.30	2.88
	TMLX100C16MP11	UC60D	1	1045	39.7	–	–	2.96
			2	1550	57.0	36.8	8.80	3.22
			2*	1045	54.1	34.9	8.35	2.88
	TMLX100C20MP11	FC/MC/PC60D	1	1105	40.2	–	–	3.20
			2	1575	57.0	36.4	9.15	3.44
			2*	1105	54.1	34.5	8.65	3.08
	TMLX100C20MP11	FC/MC62D	1	1100	40.2	–	–	3.34
			2	1575	57.0	38.0	9.15	3.56
			2*	1100	54.1	36.1	8.65	3.20
	TMLX100C20MP11	FC/PC60C	1	1085	40.2	–	–	3.22
			2	1550	57.0	36.4	9.15	3.42
			2*	1085	54.1	34.5	8.65	3.06
	TMLX100C20MP11	UC60C	1	1085	40.2	–	–	3.18
			2	1550	57.0	36.6	9.15	3.42
			2*	1085	54.1	34.7	8.65	3.06
	TMLX100C20MP11	UC60D	1	1105	40.2	–	–	3.20
			2	1575	57.0	36.4	9.15	3.44
			2*	1105	54.1	34.5	8.65	3.08
	TMLX120C20MP11	FC/MC/PC60D	1	1105	40.2	–	–	3.20
			2	1575	57.0	36.4	9.15	3.44
			2*	1105	54.1	34.5	8.65	3.08
	TMLX120C20MP11	FC/MC62D	1	1100	40.2	–	–	3.34
			2	1575	57.0	38.0	9.15	3.56
			2*	1100	54.1	36.1	8.65	3.20
	TMLX120C20MP11	FC/PC60C	1	1085	40.2	–	–	3.22
			2	1550	57.0	36.4	9.15	3.42
			2*	1085	54.1	34.5	8.65	3.06
TMLX120C20MP11	UC60C	1	1085	40.2	–	–	3.18	
		2	1550	57.0	36.6	9.15	3.42	
		2*	1085	54.1	34.7	8.65	3.06	
TMLX120C20MP11	UC60D	1	1105	40.2	–	–	3.20	
		2	1575	57.0	36.4	9.15	3.44	
		2*	1105	54.1	34.5	8.65	3.08	

For notes, see Page 49.

HEATING CAPACITY - With High Efficiency Motor Furnaces (Continued)

UNIT MODEL	FURNACE MODEL	COIL ¹ MODEL	HEATING ²					
			STAGE	RATED CFM	NET MBH		HSPF	COP @ 47°F
					47°F OD	17°F OD		
18 SEER HP WITH HIGH EFFICIENCY MOTOR FURNACES³								
YZH06011(C)	Y*(8,L)C*C20	FC/MC/PC60D	1	1015	42.5	—	—	3.16
			2	1605	57.5	39.5	9.30	3.58
			2*	1015	54.6	37.5	8.80	3.22
	Y*(8,L)C*C20	FC/MC62D	1	1015	42.5	—	—	3.22
			2	1600	57.5	39.0	9.10	3.68
			2*	1015	54.6	37.0	8.60	3.30
	Y*(8,L)C*C20	FC/PC60C	1	1060	42.5	—	—	3.16
			2	1620	57.5	39.5	9.10	3.50
			2*	1060	54.6	37.5	8.60	3.14
	Y*(8,L)C*C20	FC64D	1	1060	43.0	—	—	3.32
			2	1855	57.0	39.0	9.10	3.76
			2*	1060	54.1	37.0	8.60	3.38
	Y*(8,L)C*C20	UC60C	1	1015	43.0	—	—	3.26
			2	1605	57.5	39.0	9.30	3.66
			2*	1015	54.6	37.0	8.80	3.28
	Y*9C*C20	FC/MC/PC60D	1	1055	43.0	—	—	3.14
			2	1655	58.0	39.5	9.10	3.52
			2*	1055	55.1	37.5	8.60	3.16
	Y*9C*C20	FC/MC62D	1	1040	43.0	—	—	3.20
			2	1655	58.0	39.5	9.10	3.60
			2*	1040	55.1	37.5	8.60	3.24
	Y*9C*C20	FC/PC60C	1	1055	42.5	—	—	3.14
			2	1655	58.0	39.5	9.10	3.52
			2*	1055	55.1	37.5	8.60	3.16
	Y*9C*C20	FC64D	1	1040	43.0	—	—	3.34
			2	1655	57.0	39.5	9.10	3.70
			2*	1040	54.1	37.5	8.60	3.32
	Y*9C*C20	UC60C	1	1055	43.0	—	—	3.24
			2	1655	58.0	39.5	9.20	3.60
			2*	1055	55.1	37.5	8.70	3.24
	Y*9C*D20	FC/MC/PC60D	1	1070	43.0	—	—	3.20
			2	1615	58.0	39.5	9.20	3.54
			2*	1070	55.1	37.5	8.70	3.18
	Y*9C*D20	FC/MC62D	1	1085	43.0	—	—	3.28
			2	1630	58.0	39.5	9.20	3.62
			2*	1085	55.1	37.5	8.70	3.24
	Y*9C*D20	FC64D	1	1085	43.5	—	—	3.38
			2	1630	57.0	39.5	9.20	3.70
			2*	1085	54.1	37.5	8.70	3.32
	Y*9C*D20	UC60D	1	1070	43.0	—	—	3.28
			2	1615	58.0	39.5	9.20	3.62
			2*	1070	55.1	37.5	8.70	3.24

1. MC coils available with a factory installed horizontal drain pan. See price pages for specific model number.

2. Heating MBH based on AHRI standards of 70°F DB (Dry Bulb) entering indoor air, 72% RH (Relative Humidity) outdoor air with 25 feet of inter-connecting piping and no supplemental electric heat operation.

3. High Efficiency Motor Furnaces have B.O.D (Blower on Delay) standard.

* Notates "Hot Heat Pump" performance. These ratings are not AHRI listed.

COP equals MBH output divided by (total KW input x 3.412).

HSPF (Heating Seasonal Performance Factor) is the total heating output during a normal annual usage period for heating divided by the total electric power input during the same period.

— = Not Applicable.

PSC furnaces, such as the TG8S, TGLS, and TG9S, use Coil Only Ratings.

ACCESSORIES

Start Assist Kit (S1-2SA067*) - Provides increased starting torque for areas with low voltage. See Hard Start Kit Accessory Installation Manual for Hard Start Kit part number for each model.

TXV Kits - S1-1TVM series thermal expansion valves precisely meter refrigerant for optimum performance over a wide range of conditions. See System Charge table for TXV part number for each model.

Bonnet Sensor (S1-2SB13700124) - The bonnet sensor is used to sense plenum temperature, and is optional with a gas or oil back-up heat source. Compatible only with 13 SEER and higher heat pumps.

Dehumidistat (S1-2HU16700124) - Provides increased dehumidification when matched with variable speed furnace or air handler.

Heat Pump Risers - (S1-52635389000, S1-52635390000, S1-52635391000) - 3", 6", or 12" risers mount easily in composite base pan recesses, ensuring the unit stays clear of snow and ice build-up in harsh winter weather.

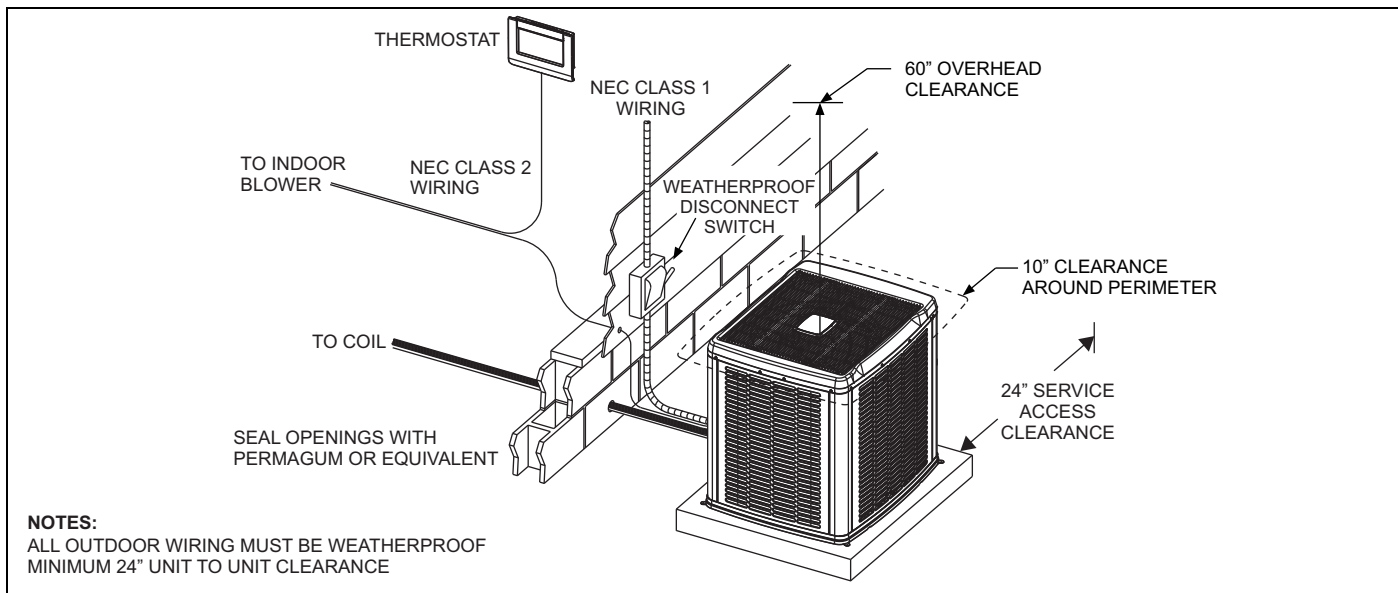
Thermostats - Compatible thermostat controls are available through accessory sourcing. For optimum performance, these outdoor units are fully compatible with the Residential Touchscreen Communicating Control (Zoning and Non-Zoning versions). For more information, see the Residential Control Systems section of the Product Equipment Catalog.

SOUND POWER RATINGS

UNIT MODEL	(dBA)	
	Cooling	Heating
24	71	72
36	72	73
48	72	73
60	73	74

Rated in accordance with ARI Standard 270-1995.

TYPICAL INSTALLATION



COOLING PERFORMANCE DATA - LOW CFM 1-STAGE OPERATION																
OUTDOOR UNIT MODEL NO.		YZH02411(C)														
INDOOR COIL MODEL NO.		FC/MC48D + MV12D														
AIR TEMP. ENTERING OUTDOOR UNIT (°F)	ID CFM	600					650					700				
	ID DB (°F)	80	80	75	80	80	80	80	75	80	80	80	80	75	80	80
	ID WB (°F)	57	62	62	67	72	57	62	62	67	72	57	62	62	67	72
65	T.C.	19.2	19.6	19.4	21.5	23.1	19.2	19.6	19.4	21.5	23.1	19.2	19.6	19.4	21.5	23.1
	S.C.	18.9	18.4	15.1	15.2	12.4	18.9	18.4	15.1	15.2	12.4	18.9	18.4	15.1	15.2	12.4
	K.W.	0.82	0.82	0.82	0.83	0.84	0.82	0.82	0.82	0.83	0.84	0.82	0.82	0.82	0.83	0.84
75	T.C.	18.5	18.6	18.5	20.5	22.1	18.5	18.6	18.5	20.5	22.1	18.5	18.6	18.5	20.5	22.1
	S.C.	18.1	17.7	14.7	14.8	12.0	18.1	17.7	14.7	14.8	12.0	18.1	17.7	14.7	14.8	12.0
	K.W.	0.96	0.96	0.96	0.97	0.98	0.96	0.96	0.96	0.97	0.98	0.96	0.96	0.96	0.97	0.98
85	T.C.	17.7	17.6	17.6	19.5	21.2	17.7	17.6	17.6	19.5	21.2	17.7	17.6	17.6	19.5	21.2
	S.C.	17.4	17.0	14.4	14.4	11.6	17.4	17.0	14.4	14.4	11.6	17.4	17.0	14.4	14.4	11.6
	K.W.	1.09	1.09	1.10	1.10	1.11	1.09	1.09	1.10	1.10	1.11	1.09	1.09	1.10	1.10	1.11
95	T.C.	17.0	16.6	16.7	18.5	20.2	17.0	16.6	16.7	18.5	20.2	17.0	16.6	16.7	18.5	20.2
	S.C.	16.6	16.3	14.0	14.0	11.2	16.6	16.3	14.0	14.0	11.2	16.6	16.3	14.0	14.0	11.2
	K.W.	1.23	1.23	1.24	1.24	1.25	1.23	1.23	1.24	1.24	1.25	1.23	1.23	1.24	1.24	1.25
105	T.C.	15.8	15.6	15.2	17.0	18.7	15.8	15.6	15.2	17.0	18.7	15.8	15.6	15.2	17.0	18.7
	S.C.	15.5	15.3	13.4	13.5	10.6	15.5	15.3	13.4	13.5	10.6	15.5	15.3	13.4	13.5	10.6
	K.W.	1.43	1.43	1.43	1.44	1.44	1.43	1.43	1.43	1.44	1.44	1.43	1.43	1.43	1.44	1.44
115	T.C.	14.6	14.5	13.8	15.5	17.2	14.6	14.5	13.8	15.5	17.2	14.6	14.5	13.8	15.5	17.2
	S.C.	14.4	14.3	12.8	13.0	10.1	14.4	14.3	12.8	13.0	10.1	14.4	14.3	12.8	13.0	10.1
	K.W.	1.62	1.62	1.62	1.62	1.63	1.62	1.62	1.62	1.62	1.63	1.62	1.62	1.62	1.62	1.63
125	T.C.	13.5	13.5	12.4	14.0	15.7	13.5	13.5	12.4	14.0	15.7	13.5	13.5	12.4	14.0	15.7
	S.C.	13.2	13.3	12.1	12.4	9.6	13.2	13.3	12.1	12.4	9.6	13.2	13.3	12.1	12.4	9.6
	K.W.	1.81	1.81	1.80	1.81	1.82	1.81	1.81	1.80	1.81	1.82	1.81	1.81	1.80	1.81	1.82

NOTE: ALL CAPACITIES INCLUDE INDOOR FAN HEAT. KW VALUES ARE FOR THE SYSTEM (OUTDOOR + INDOOR).

Multipliers for determining the performance with other indoor sections.

NOTE: For dry bulb temperatures different than those listed (between 73-87 °F), sensible capacity increases by 1060 BTUH per 1000 CFM per degree above the listed temperature and decreases by 1060 BTUH per 1000 CFM per degree below the listed temperature.

LOW CFM

Air Handler	Coil	T.C.	S.C.	KW
-	FC/MC/PC48	0.96	0.92	1.05
AHV24B	-	0.92	0.84	1.02
AHV30B	-	0.94	0.87	1.02
AHV36C	-	0.95	0.86	1.02
MV12B	FC/MC43B	0.98	0.96	0.97
MV12D	FC/MC48D	1.00	1.00	1.00
MV12D	FC/MC60D	1.00	1.00	1.00

Furnace	Coil	T.C.	S.C.	KW
T*(8,L)C*A12	FC/MC/PC37A	0.97	0.93	1.01
T*(8,L)C*B12	FC/MC/PC43B	0.95	0.87	1.02
T*(8,L)C*C16	FC/MC/PC43C	0.95	0.96	1.00
T*(8,L)V*A12	FC/MC/PC37A	0.97	0.93	1.01
T*(8,L)V*B12	FC/MC/PC43B	0.95	0.87	1.02
T*(8,L)V*C16	FC/MC/PC43C	0.95	0.96	1.00
T*9(C,V)*B12	FC/MC/PC43B	0.96	0.90	1.00
T*9V*A10	FC/MC/PC37A	0.97	0.92	1.04
TM8X080C16MP11	FC/MC/PC43C	0.95	0.95	1.00
TM8X080C16MP11	FC/MC/PC48C	0.96	0.96	1.04
TM8X080C16MP11	FC/PC60C	0.96	0.96	1.04

Furnace	Coil	T.C.	S.C.	KW
TM8X080C16MP11	UC48C	0.93	0.94	1.05
TM8X080C16MP11	UC60C	0.95	0.96	1.05
TM8X100C16MP11	FC/MC/PC43C	0.95	0.95	1.00
TM8X100C16MP11	FC/MC/PC48C	0.96	0.96	1.04
TM8X100C16MP11	FC/PC60C	0.96	0.96	1.04
TM8X100C16MP11	UC48C	0.93	0.94	1.05
TM8X100C16MP11	UC60C	0.95	0.96	1.05
TMLX080C16MP11	FC/MC/PC43C	0.95	0.95	1.00
TMLX080C16MP11	FC/MC/PC48C	0.96	0.96	1.04
TMLX080C16MP11	FC/PC60C	0.96	0.96	1.04
TMLX080C16MP11	UC48C	0.93	0.94	1.05
TMLX080C16MP11	UC60C	0.95	0.96	1.05
TMLX100C16MP11	FC/MC/PC43C	0.95	0.95	1.00
TMLX100C16MP11	FC/MC/PC48C	0.96	0.96	1.04
TMLX100C16MP11	FC/PC60C	0.96	0.96	1.04
TMLX100C16MP11	UC48C	0.93	0.94	1.05
TMLX100C16MP11	UC60C	0.95	0.96	1.05
Y*(8,L)C*A12	FC/MC/PC37A	0.97	0.93	1.01
Y*(8,L)C*B12	FC/MC/PC43B	0.95	0.87	1.02
Y*(8,L)C*C16	FC/MC/PC43C	0.95	0.96	1.00
Y*9C*B12	FC/MC/PC43B	0.96	0.90	1.00

COOLING PERFORMANCE DATA - HIGH CFM 2-STAGE OPERATION																
OUTDOOR UNIT MODEL NO.		YZH02411(C)														
INDOOR COIL MODEL NO.		FC/MC48D + MV12D														
AIR TEMP. ENTERING OUTDOOR UNIT (°F)	ID CFM	750					850					950				
	ID DB (°F)	80	80	75	80	80	80	80	75	80	80	80	80	75	80	80
	ID WB (°F)	57	62	62	67	72	57	62	62	67	72	57	62	62	67	72
65	T.C.	23.5	25.1	24.9	27.2	29.2	24.3	25.7	25.4	27.7	29.8	25.2	26.2	25.9	28.1	30.4
	S.C.	23.5	23.8	20.2	19.9	16.7	24.3	25.6	21.3	21.1	17.3	25.2	26.2	22.5	22.2	17.9
	K.W.	1.19	1.20	1.20	1.22	1.23	1.20	1.21	1.21	1.22	1.24	1.20	1.21	1.21	1.22	1.24
75	T.C.	22.6	23.9	23.7	26.0	27.9	23.5	24.4	24.2	26.4	28.5	24.3	24.9	24.7	26.9	29.2
	S.C.	22.6	23.2	19.6	19.4	16.1	23.5	24.4	20.8	20.5	16.7	24.3	24.9	21.9	21.7	17.3
	K.W.	1.36	1.37	1.37	1.38	1.40	1.36	1.37	1.37	1.38	1.40	1.37	1.37	1.37	1.39	1.41
85	T.C.	21.8	22.6	22.6	24.7	26.7	22.6	23.1	23.1	25.2	27.3	23.5	23.6	23.5	25.7	27.9
	S.C.	21.8	22.6	19.1	18.9	15.5	22.6	23.1	20.2	20.0	16.1	23.5	23.6	21.3	21.1	16.6
	K.W.	1.52	1.53	1.53	1.54	1.56	1.53	1.53	1.53	1.55	1.57	1.54	1.54	1.54	1.55	1.57
95	T.C.	20.9	21.4	21.5	23.5	25.4	21.8	21.8	21.9	24.0	26.0	22.6	22.2	22.3	24.5	26.6
	S.C.	20.9	21.4	18.5	18.4	14.9	21.8	21.8	19.6	19.5	15.4	22.6	22.2	20.7	20.6	16.0
	K.W.	1.69	1.69	1.69	1.71	1.73	1.69	1.70	1.70	1.71	1.73	1.70	1.70	1.70	1.72	1.74
105	T.C.	19.7	20.0	19.9	22.0	23.8	20.5	20.6	20.3	22.4	24.3	21.4	21.1	20.7	22.8	24.8
	S.C.	19.7	20.0	17.7	17.7	14.1	20.5	20.6	18.9	18.8	14.7	21.4	21.1	20.0	19.9	15.3
	K.W.	1.90	1.91	1.91	1.93	1.95	1.91	1.91	1.91	1.93	1.95	1.92	1.92	1.91	1.93	1.96
115	T.C.	18.6	18.7	18.4	20.5	22.3	19.4	19.3	18.8	20.8	22.7	20.1	20.0	19.1	21.1	23.1
	S.C.	18.6	18.7	17.0	17.0	13.3	19.4	19.3	18.1	18.1	14.0	20.1	20.0	19.1	19.2	14.6
	K.W.	2.12	2.12	2.11	2.14	2.16	2.13	2.13	2.12	2.14	2.16	2.14	2.14	2.12	2.14	2.17
125	T.C.	17.5	17.3	16.9	19.1	20.7	18.2	18.1	17.2	19.3	21.0	18.9	18.9	17.6	19.5	21.3
	S.C.	17.5	17.3	16.2	16.4	12.6	18.2	18.1	17.2	17.5	13.3	18.9	18.9	17.6	18.6	13.9
	K.W.	2.33	2.32	2.32	2.35	2.37	2.34	2.34	2.32	2.35	2.37	2.35	2.35	2.33	2.35	2.38

NOTE: ALL CAPACITIES INCLUDE INDOOR FAN HEAT. KW VALUES ARE FOR THE SYSTEM (OUTDOOR + INDOOR).

Multipliers for determining the performance with other indoor sections.

NOTE: For dry bulb temperatures different than those listed (between 73-87 °F), sensible capacity increases by 1060 BTUH per 1000 CFM per degree above the listed temperature and decreases by 1060 BTUH per 1000 CFM per degree below the listed temperature.

HIGH CFM

Air Handler	Coil	T.C.	S.C.	KW
-	FC/MC/PC48	0.97	0.94	1.13
AHV24B	-	1.00	0.86	1.05
AHV30B	-	1.00	0.89	1.05
AHV36C	-	1.00	0.90	1.03
MV12B	FC/MC43B	0.98	0.96	1.01
MV12D	FC/MC48D	1.00	1.00	1.00
MV12D	FC/MC60D	1.00	1.00	1.00

Furnace	Coil	T.C.	S.C.	KW
T*(8,L)C*A12	FC/MC/PC37A	0.98	0.96	1.03
T*(8,L)C*B12	FC/MC/PC43B	0.97	0.94	1.00
T*(8,L)C*C16	FC/MC/PC43C	1.00	0.92	1.04
T*(8,L)V*A12	FC/MC/PC37A	0.98	0.96	1.03
T*(8,L)V*B12	FC/MC/PC43B	0.97	0.94	1.00
T*(8,L)V*C16	FC/MC/PC43C	1.00	0.92	1.04
T*9(C,V)*B12	FC/MC/PC43B	0.98	0.96	1.02
T*9V*A10	FC/MC/PC37A	0.97	0.86	1.06
TM8X080C16MP11	FC/MC/PC43C	0.99	0.90	1.07
TM8X080C16MP11	FC/MC/PC48C	1.00	0.91	1.12
TM8X080C16MP11	FC/PC60C	1.00	0.90	1.12
TM8X080C16MP11	UC48C	0.99	0.90	1.11

Furnace	Coil	T.C.	S.C.	KW
TM8X080C16MP11	UC60C	0.99	0.90	1.11
TM8X100C16MP11	FC/MC/PC43C	0.99	0.90	1.07
TM8X100C16MP11	FC/MC/PC48C	1.00	0.91	1.12
TM8X100C16MP11	FC/PC60C	1.00	0.90	1.12
TM8X100C16MP11	UC48C	0.99	0.90	1.11
TM8X100C16MP11	UC60C	0.99	0.90	1.11
TMLX080C16MP11	FC/MC/PC43C	0.99	0.90	1.07
TMLX080C16MP11	FC/MC/PC48C	1.00	0.91	1.12
TMLX080C16MP11	FC/PC60C	1.00	0.90	1.12
TMLX080C16MP11	UC48C	0.99	0.90	1.11
TMLX080C16MP11	UC60C	0.99	0.90	1.11
Y*(8,L)C*A12	FC/MC/PC37A	0.98	0.96	1.03
Y*(8,L)C*B12	FC/MC/PC43B	0.97	0.94	1.00
Y*(8,L)C*C16	FC/MC/PC43C	1.00	0.92	1.04
Y*9C*B12	FC/MC/PC43B	0.98	0.96	1.02

COOLING PERFORMANCE DATA - LOW CFM 1-STAGE OPERATION																
OUTDOOR UNIT MODEL NO.		YZH03611(C)														
INDOOR COIL MODEL NO.		FC/MC62D + MV12D														
AIR TEMP. ENTERING OUTDOOR UNIT (°F)	ID CFM	800					850					900				
	ID DB (°F)	80	80	75	80	80	80	80	75	80	80	80	80	75	80	80
	ID WB (°F)	57	62	62	67	72	57	62	62	67	72	57	62	62	67	72
65	T.C.	25.7	26.9	26.7	29.8	32.8	26.2	27.3	27.1	30.2	33.3	26.8	27.7	27.5	30.6	33.9
	S.C.	25.7	24.3	20.6	20.7	16.9	26.2	25.4	21.3	21.3	17.3	26.8	26.5	21.9	21.9	17.7
	K.W.	1.09	1.09	1.09	1.11	1.13	1.09	1.10	1.10	1.12	1.14	1.09	1.10	1.10	1.12	1.14
75	T.C.	24.6	25.4	25.3	28.3	31.3	25.2	25.8	25.7	28.6	31.7	25.7	26.1	26.0	29.0	32.2
	S.C.	24.6	23.9	20.1	20.1	16.3	25.2	24.7	20.7	20.8	16.7	25.7	25.6	21.3	21.4	17.1
	K.W.	1.28	1.28	1.28	1.30	1.32	1.28	1.29	1.29	1.31	1.32	1.29	1.29	1.29	1.31	1.33
85	T.C.	23.5	23.9	23.9	26.8	29.8	24.1	24.2	24.2	27.1	30.1	24.6	24.5	24.5	27.5	30.5
	S.C.	23.5	23.6	19.5	19.6	15.8	24.1	24.1	20.2	20.2	16.1	24.6	24.5	20.8	20.8	16.5
	K.W.	1.47	1.47	1.47	1.49	1.51	1.48	1.48	1.48	1.49	1.51	1.48	1.48	1.48	1.50	1.52
95	T.C.	22.5	22.4	22.5	25.3	28.3	23.0	22.6	22.8	25.6	28.5	23.5	22.9	23.1	25.9	28.8
	S.C.	22.5	22.4	19.0	19.1	15.2	23.0	22.6	19.6	19.7	15.5	23.5	22.9	20.2	20.3	15.9
	K.W.	1.66	1.66	1.66	1.68	1.70	1.67	1.67	1.67	1.68	1.70	1.67	1.67	1.67	1.69	1.70
105	T.C.	20.9	20.8	20.3	23.0	26.0	21.3	21.1	20.6	23.3	26.2	21.8	21.4	20.8	23.5	26.4
	S.C.	20.9	20.8	18.2	18.3	14.4	21.3	21.1	18.7	18.9	14.7	21.8	21.4	19.2	19.5	15.1
	K.W.	1.94	1.94	1.93	1.95	1.97	1.94	1.94	1.93	1.95	1.97	1.94	1.94	1.94	1.95	1.98
115	T.C.	19.3	19.3	18.2	20.8	23.7	19.8	19.6	18.5	21.0	23.9	20.2	20.0	18.7	21.3	24.1
	S.C.	19.3	19.3	17.4	17.5	13.6	19.8	19.6	17.8	18.1	14.0	20.2	20.0	18.2	18.7	14.3
	K.W.	2.20	2.20	2.19	2.21	2.24	2.20	2.20	2.19	2.21	2.24	2.21	2.21	2.20	2.22	2.24
125	T.C.	17.8	17.8	16.1	18.6	21.5	18.2	18.2	16.3	18.8	21.6	18.5	18.5	16.5	19.0	21.8
	S.C.	17.8	17.8	16.1	16.7	12.8	18.2	18.2	16.3	17.4	13.2	18.5	18.5	16.5	18.0	13.6
	K.W.	2.47	2.47	2.45	2.47	2.50	2.47	2.47	2.45	2.48	2.50	2.47	2.47	2.46	2.48	2.50

NOTE: ALL CAPACITIES INCLUDE INDOOR FAN HEAT. KW VALUES ARE FOR THE SYSTEM (OUTDOOR + INDOOR).

Multipliers for determining the performance with other indoor sections.

NOTE: For dry bulb temperatures different than those listed (between 73-87 °F), sensible capacity increases by 1060 BTUH per 1000 CFM per degree above the listed temperature and decreases by 1060 BTUH per 1000 CFM per degree below the listed temperature.

LOW CFM

Air Handler	Coil	T.C.	S.C.	KW
-	FC/MC62	0.98	0.99	1.07
-	FC64	1.00	1.04	1.14
AHE42D	-	0.98	0.96	1.01
AHV36C	-	0.98	0.92	1.05
AHV42D	-	0.98	0.93	1.04
AHV48D	-	0.99	0.95	1.05
MV12D	FC/MC48D	0.97	0.91	0.96
MV12D	FC/MC60D	0.97	0.93	0.97
MV12D	FC/MC62D	1.00	1.00	1.00
MV12D	FC64D	1.01	0.99	1.00
MV16C	FC/MC43C	0.97	0.92	0.95
MV16C	FC/MC48C	0.98	0.94	0.96
MX12BN21	FC/MC43B	0.95	0.90	1.03
MX12DN21	FC/MC48D	0.98	0.93	0.99
MX12DN21	FC/MC60D	0.97	0.94	0.99
MX12DN21	FC64D	1.02	1.01	1.03

Furnace	Coil	T.C.	S.C.	KW
T*(8,L)C*A12	FC/MC/PC37A	0.94	0.86	1.01
T*(8,L)C*B12	FC/MC/PC43B	0.96	0.92	1.02
T*(8,L)C*C16	FC/MC/PC43C	0.98	0.95	1.02
T*(8,L)C*C16	FC/MC/PC48C	0.95	0.95	1.00
T*(8,L)C*C16	FC/PC60C	0.96	0.96	1.02
T*(8,L)C*C16	UC48C	0.98	0.97	1.01
T*(8,L)C*C16	UC60C	0.98	0.95	1.01
T*(8,L)C*C20	FC/MC/PC43C	0.97	0.92	1.01
T*(8,L)C*C20	FC/MC/PC48C	0.95	0.90	0.99
T*(8,L)C*C20	FC/PC60C	0.95	0.94	0.98
T*(8,L)C*C20	UC48C	0.96	0.92	1.00
T*(8,L)C*C20	UC60C	0.98	0.95	1.01
T*(8,L)V*A12	FC/MC/PC37A	0.94	0.86	1.01
T*(8,L)V*B12	FC/MC/PC43B	0.96	0.92	1.02
T*(8,L)V*C16	FC/MC/PC43C	0.98	0.95	1.02
T*(8,L)V*C16	FC/MC/PC48C	0.95	0.95	1.00
T*(8,L)V*C16	FC/PC60C	0.96	0.96	1.02
T*(8,L)V*C16	UC48C	0.98	0.97	1.01
T*(8,L)V*C16	UC60C	0.98	0.95	1.01
T*(8,L)V*C20	FC/MC/PC43C	0.97	0.92	1.01

Continued on next page.

Furnace	Coil	T.C.	S.C.	KW
T*(8,L)V*C20	FC/MC/PC48C	0.95	0.90	0.99
T*(8,L)V*C20	FC/PC60C	0.95	0.94	0.98
T*(8,L)V*C20	UC48C	0.96	0.92	1.00
T*(8,L)V*C20	UC60C	0.98	0.95	1.01
T*9(C,V)*B12	FC/MC/PC43B	0.98	0.95	1.04
T*9(C,V)*C16	FC/MC/PC43C	0.98	0.96	1.03
T*9(C,V)*C16	FC/MC/PC48C	0.95	0.95	1.01
T*9(C,V)*C16	FC/PC60C	0.95	0.95	1.02
T*9(C,V)*C16	UC48C	0.98	0.95	1.02
T*9(C,V)*C16	UC60C	0.98	0.95	1.03
T*9(C,V)*C20	FC/MC/PC43C	0.98	0.94	1.02
T*9(C,V)*C20	FC/MC/PC48C	0.95	0.91	1.01
T*9(C,V)*C20	FC/PC60C	0.95	0.93	1.01
T*9(C,V)*C20	UC48C	0.97	0.93	1.02
T*9(C,V)*C20	UC60C	0.97	0.93	1.02
T*9(C,V)*D20	FC/MC/PC60D	0.95	0.96	1.01
T*9(C,V)*D20	FC/MC62D	1.00	0.99	1.02
T*9(C,V)*D20	FC64D	1.02	1.03	1.02
T*9(C,V)*D20	UC60D	0.98	0.95	1.02
TM8X060A12MP11	FC/MC/PC37A	0.95	0.90	1.01
TM8X080B12MP11	FC/MC/PC43B	0.95	0.90	1.01
TM8X080C16MP11	FC/MC/PC43C	0.95	0.90	1.01
TM8X080C16MP11	FC/MC/PC48C	0.96	0.91	1.01
TM8X080C16MP11	FC/MC/PC48D	0.98	0.93	1.02
TM8X080C16MP11	FC/MC/PC60D	0.96	0.92	1.01
TM8X080C16MP11	FC/MC62D	0.96	0.91	1.03
TM8X080C16MP11	FC/PC60C	0.96	0.91	1.01
TM8X080C16MP11	FC64D	1.00	0.95	1.01
TM8X080C16MP11	UC48C	0.94	0.89	0.99
TM8X080C16MP11	UC48D	0.94	0.89	1.02
TM8X080C16MP11	UC60C	0.95	0.91	1.02
TM8X080C16MP11	UC60D	0.95	0.91	1.02
TM8X100C16MP11	FC/MC/PC43C	0.95	0.90	1.01
TM8X100C16MP11	FC/MC/PC48C	0.96	0.91	1.01
TM8X100C16MP11	FC/MC/PC48D	0.98	0.93	1.02
TM8X100C16MP11	FC/MC/PC60D	0.96	0.92	1.01
TM8X100C16MP11	FC/MC62D	0.96	0.91	1.03
TM8X100C16MP11	FC/PC60C	0.96	0.91	1.01
TM8X100C16MP11	FC64D	1.00	0.95	1.01
TM8X100C16MP11	UC48C	0.94	0.89	0.99
TM8X100C16MP11	UC48D	0.94	0.89	1.02
TM8X100C16MP11	UC60C	0.95	0.91	1.02
TM8X100C16MP11	UC60D	0.95	0.91	1.02
TM8X100C16MP11	UC60D	0.95	0.91	1.02
TM9E060B12MP11	FC/MC/PC43B	0.94	0.87	0.99
TM9E080B12MP11	FC/MC/PC43B	0.94	0.87	0.99
TM9E080C16MP11	FC/MC/PC48D	0.96	0.90	1.03
TM9E080C16MP11	FC/MC62D	0.96	0.91	1.03
TM9E080C16MP11	FC64D	0.99	0.94	1.02
TM9E080C16MP11	UC48D	0.94	0.89	1.02
TM9E100C16MP11	FC/MC/PC48D	0.96	0.90	1.03
TM9E100C16MP11	FC/MC62D	0.96	0.91	1.03
TM9E100C16MP11	FC64D	0.99	0.94	1.02
TM9E100C16MP11	UC48D	0.94	0.89	1.02
TM9X060B12MP11	FC/MC/PC43B	0.94	0.87	0.99
TM9X080B12MP11	FC/MC/PC43B	0.94	0.87	0.99
TM9X080C16MP11	FC/MC/PC48D	0.96	0.90	1.03
TM9X080C16MP11	FC/MC62D	0.96	0.91	1.03

Furnace	Coil	T.C.	S.C.	KW
TM9X080C16MP11	FC64D	0.99	0.94	1.02
TM9X080C16MP11	UC48D	0.94	0.89	1.02
TM9X100C16MP11	FC/MC/PC48D	0.96	0.90	1.03
TM9X100C16MP11	FC/MC62D	0.96	0.91	1.03
TM9X100C16MP11	FC64D	0.99	0.94	1.02
TM9X100C16MP11	UC48D	0.94	0.89	1.02
TMLX060A12MP11	FC/MC/PC37A	0.95	0.90	1.01
TMLX080B12MP11	FC/MC/PC43B	0.95	0.90	1.01
TMLX080C16MP11	FC/MC/PC43C	0.95	0.90	1.01
TMLX080C16MP11	FC/MC/PC48C	0.96	0.91	1.01
TMLX080C16MP11	FC/MC/PC48D	0.98	0.93	1.02
TMLX080C16MP11	FC/MC/PC60D	0.96	0.92	1.01
TMLX080C16MP11	FC/MC62D	0.96	0.91	1.03
TMLX080C16MP11	FC/PC60C	0.96	0.91	1.01
TMLX080C16MP11	FC64D	1.00	0.95	1.01
TMLX080C16MP11	UC48C	0.94	0.89	0.99
TMLX080C16MP11	UC48D	0.94	0.89	1.02
TMLX080C16MP11	UC60C	0.95	0.91	1.02
TMLX080C16MP11	UC60D	0.95	0.91	1.02
TMLX100C16MP11	FC/MC/PC43C	0.95	0.90	1.01
TMLX100C16MP11	FC/MC/PC48C	0.96	0.91	1.01
TMLX100C16MP11	FC/MC/PC48D	0.98	0.93	1.02
TMLX100C16MP11	FC/MC/PC60D	0.96	0.92	1.01
TMLX100C16MP11	FC/MC62D	0.96	0.91	1.03
TMLX100C16MP11	FC/PC60C	0.96	0.91	1.01
TMLX100C16MP11	FC64D	1.00	0.95	1.01
TMLX100C16MP11	UC48C	0.94	0.89	0.99
TMLX100C16MP11	UC48D	0.94	0.89	1.02
TMLX100C16MP11	UC60C	0.95	0.91	1.02
TMLX100C16MP11	UC60D	0.95	0.91	1.02
Y*(8,L)*A12	FC/MC/PC37A	0.94	0.86	1.01
Y*(8,L)*B12	FC/MC/PC43B	0.96	0.92	1.02
Y*(8,L)*C16	FC/MC/PC43C	0.98	0.95	1.02
Y*(8,L)*C16	FC/MC/PC48C	0.95	0.95	1.00
Y*(8,L)*C16	FC/PC60C	0.96	0.96	1.02
Y*(8,L)*C16	UC48C	0.98	0.97	1.01
Y*(8,L)*C16	UC60C	0.98	0.95	1.01
Y*(8,L)*C20	FC/MC/PC43C	0.97	0.92	1.01
Y*(8,L)*C20	FC/MC/PC48C	0.95	0.90	0.99
Y*(8,L)*C20	FC/PC60C	0.95	0.94	0.98
Y*(8,L)*C20	UC48C	0.96	0.92	1.00
Y*(8,L)*C20	UC60C	0.98	0.95	1.01
Y*9C*B12	FC/MC/PC43B	0.98	0.95	1.04
Y*9C*C16	FC/MC/PC43C	0.98	0.96	1.03
Y*9C*C16	FC/MC/PC48C	0.95	0.95	1.01
Y*9C*C16	FC/PC60C	0.95	0.95	1.02
Y*9C*C16	UC48C	0.98	0.95	1.02
Y*9C*C16	UC60C	0.98	0.95	1.03
Y*9C*C20	FC/MC/PC43C	0.98	0.94	1.02
Y*9C*C20	FC/MC/PC48C	0.95	0.91	1.01
Y*9C*C20	FC/PC60C	0.95	0.93	1.01
Y*9C*C20	UC48C	0.97	0.93	1.02
Y*9C*C20	UC60C	0.97	0.93	1.02
Y*9C*D20	FC/MC/PC60D	0.95	0.96	1.01
Y*9C*D20	FC/MC62D	1.00	0.99	1.02
Y*9C*D20	FC64D	1.02	1.03	1.02
Y*9C*D20	UC60D	0.98	0.95	1.02

COOLING PERFORMANCE DATA - HIGH CFM 2-STAGE OPERATION																
OUTDOOR UNIT MODEL NO.		YZH03611(C)														
INDOOR COIL MODEL NO.		FC/MC62D + MV12D														
AIR TEMP. ENTERING OUTDOOR UNIT (°F)	ID CFM	1150					1250					1350				
	ID DB (°F)	80	80	75	80	80	80	80	75	80	80	80	80	75	80	80
	ID WB (°F)	57	62	62	67	72	57	62	62	67	72	57	62	62	67	72
65	T.C.	36.0	37.3	37.7	41.1	44.9	37.0	38.1	38.3	41.7	45.5	38.0	39.0	38.8	42.4	46.2
	S.C.	36.0	34.0	29.1	28.9	23.4	37.0	35.8	30.2	29.9	24.1	38.0	37.6	31.2	31.0	24.9
	K.W.	1.88	1.89	1.89	1.93	1.96	1.89	1.90	1.90	1.93	1.97	1.90	1.91	1.91	1.94	1.98
75	T.C.	34.7	35.7	35.9	39.3	42.9	35.7	36.3	36.4	39.8	43.5	36.6	37.0	36.9	40.4	44.0
	S.C.	34.7	33.4	28.4	28.2	22.7	35.7	35.0	29.4	29.2	23.4	36.6	36.5	30.5	30.3	24.1
	K.W.	2.13	2.15	2.15	2.18	2.22	2.14	2.15	2.15	2.19	2.23	2.15	2.16	2.16	2.19	2.24
85	T.C.	33.4	34.0	34.1	37.4	40.9	34.3	34.6	34.5	37.9	41.4	35.1	35.1	35.0	38.4	41.9
	S.C.	33.4	32.8	27.7	27.5	21.9	34.3	34.1	28.7	28.5	22.6	35.1	35.1	29.8	29.5	23.3
	K.W.	2.39	2.40	2.40	2.44	2.48	2.40	2.41	2.41	2.44	2.49	2.41	2.41	2.41	2.45	2.49
95	T.C.	32.1	32.4	32.2	35.6	39.0	32.9	32.8	32.7	36.0	39.4	33.7	33.2	33.1	36.4	39.8
	S.C.	32.1	32.3	27.0	26.8	21.2	32.9	32.8	28.0	27.8	21.8	33.7	33.2	29.1	28.8	22.4
	K.W.	2.65	2.65	2.65	2.69	2.74	2.66	2.66	2.66	2.70	2.74	2.67	2.66	2.66	2.70	2.75
105	T.C.	30.3	30.5	30.0	33.1	36.4	31.0	30.9	30.4	33.5	36.7	31.8	31.4	30.7	33.8	37.1
	S.C.	30.3	30.5	26.0	25.9	20.2	31.0	30.9	27.1	26.9	20.9	31.8	31.4	28.2	27.9	21.5
	K.W.	2.99	2.99	2.98	3.03	3.08	3.00	3.00	2.99	3.03	3.08	3.01	3.01	2.99	3.04	3.08
115	T.C.	28.5	28.6	27.8	30.7	33.8	29.2	29.1	28.1	31.0	34.1	29.9	29.7	28.4	31.4	34.5
	S.C.	28.5	28.6	25.1	25.0	19.3	29.2	29.1	26.2	26.0	19.9	29.9	29.7	27.3	27.1	20.6
	K.W.	3.31	3.32	3.30	3.35	3.40	3.33	3.33	3.31	3.36	3.41	3.34	3.34	3.31	3.36	3.41
125	T.C.	26.7	26.7	25.6	28.3	31.3	27.4	27.3	25.8	28.6	31.6	28.1	28.0	26.1	28.9	31.8
	S.C.	26.7	26.7	24.2	24.1	18.4	27.4	27.3	25.4	25.2	19.0	28.1	28.0	26.1	26.2	19.6
	K.W.	3.64	3.64	3.62	3.68	3.73	3.66	3.66	3.63	3.68	3.73	3.67	3.67	3.63	3.69	3.74

NOTE: ALL CAPACITIES INCLUDE INDOOR FAN HEAT. KW VALUES ARE FOR THE SYSTEM (OUTDOOR + INDOOR).

Multipliers for determining the performance with other indoor sections.

NOTE: For dry bulb temperatures different than those listed (between 73-87 °F), sensible capacity increases by 1060 BTUH per 1000 CFM per degree above the listed temperature and decreases by 1060 BTUH per 1000 CFM per degree below the listed temperature.

HIGH CFM

Air Handler	Coil	T.C.	S.C.	KW
-	FC/MC62	0.97	0.95	1.08
-	FC64	0.99	0.99	1.09
AHE42D	-	1.00	0.97	1.03
AHV36C	-	1.00	0.94	1.05
AHV42D	-	1.00	0.95	1.02
AHV48D	-	1.00	0.94	1.01
MV12D	FC/MC48D	0.98	0.94	0.98
MV12D	FC/MC60D	0.98	0.95	0.98
MV12D	FC/MC62D	1.00	1.00	1.00
MV12D	FC64D	1.00	0.99	0.99
MV16C	FC/MC43C	0.98	0.96	1.00
MV16C	FC/MC48C	0.99	0.96	0.99
MX12BN21	FC/MC43B	0.97	0.89	1.08
MX12DN21	FC/MC48D	0.98	0.91	1.01
MX12DN21	FC/MC60D	0.98	0.91	1.01
MX12DN21	FC64D	1.02	0.98	1.05

Furnace	Coil	T.C.	S.C.	KW
T*(8,L)C*A12	FC/MC/PC37A	0.93	0.86	1.03
T*(8,L)C*B12	FC/MC/PC43B	0.96	0.94	1.06
T*(8,L)C*C16	FC/MC/PC43C	0.98	0.96	1.02
T*(8,L)C*C16	FC/MC/PC48C	0.97	0.96	0.99
T*(8,L)C*C16	FC/PC60C	0.97	0.96	0.98
T*(8,L)C*C16	UC48C	0.97	0.96	1.01
T*(8,L)C*C16	UC60C	0.97	0.95	1.00
T*(8,L)C*C20	FC/MC/PC43C	0.98	0.96	1.01
T*(8,L)C*C20	FC/MC/PC48C	0.97	0.94	0.98
T*(8,L)C*C20	FC/PC60C	0.97	0.97	0.99
T*(8,L)C*C20	UC48C	0.97	0.95	1.00
T*(8,L)C*C20	UC60C	0.97	0.95	1.01
T*(8,L)V*A12	FC/MC/PC37A	0.93	0.86	1.03
T*(8,L)V*B12	FC/MC/PC43B	0.96	0.94	1.06
T*(8,L)V*C16	FC/MC/PC43C	0.98	0.96	1.02
T*(8,L)V*C16	FC/MC/PC48C	0.97	0.96	0.99
T*(8,L)V*C16	FC/PC60C	0.97	0.96	0.98
T*(8,L)V*C16	UC48C	0.97	0.96	1.01
T*(8,L)V*C16	UC60C	0.97	0.95	1.00
T*(8,L)V*C20	FC/MC/PC43C	0.98	0.96	1.01
T*(8,L)V*C20	FC/MC/PC48C	0.97	0.94	0.98

Continued on next page.

Furnace	Coil	T.C.	S.C.	KW
T*(8,L)V*C20	FC/PC60C	0.97	0.97	0.99
T*(8,L)V*C20	UC48C	0.97	0.95	1.00
T*(8,L)V*C20	UC60C	0.97	0.95	1.01
T*9(C,V)*B12	FC/MC/PC43B	0.96	0.94	1.05
T*9(C,V)*C16	FC/MC/PC43C	0.97	0.96	1.05
T*9(C,V)*C16	FC/MC/PC48C	0.97	0.96	1.02
T*9(C,V)*C16	FC/PC60C	0.96	0.96	1.03
T*9(C,V)*C16	UC48C	0.97	0.96	1.02
T*9(C,V)*C16	UC60C	0.97	0.94	1.03
T*9(C,V)*C20	FC/MC/PC43C	0.97	0.96	1.02
T*9(C,V)*C20	FC/MC/PC48C	0.97	0.99	1.05
T*9(C,V)*C20	FC/PC60C	0.97	1.00	1.04
T*9(C,V)*C20	UC48C	0.99	1.01	1.06
T*9(C,V)*C20	UC60C	0.98	0.99	1.04
T*9(C,V)*D20	FC/MC/PC60D	0.97	0.97	1.01
T*9(C,V)*D20	FC/MC62D	0.99	0.99	1.02
T*9(C,V)*D20	FC64D	1.00	1.01	1.01
T*9(C,V)*D20	UC60D	0.97	0.95	1.01
TM8X060A12MP11	FC/MC/PC37A	0.96	0.88	1.06
TM8X080B12MP11	FC/MC/PC43B	0.96	0.89	1.06
TM8X080C16MP11	FC/MC/PC43C	0.97	0.90	1.02
TM8X080C16MP11	FC/MC/PC48C	0.98	0.91	1.02
TM8X080C16MP11	FC/MC/PC48D	0.97	0.91	1.06
TM8X080C16MP11	FC/MC/PC60D	0.98	0.92	1.07
TM8X080C16MP11	FC/MC62D	0.99	0.94	1.06
TM8X080C16MP11	FC/PC60C	0.98	0.92	1.02
TM8X080C16MP11	FC64D	1.01	0.97	1.06
TM8X080C16MP11	UC48C	0.97	0.91	1.02
TM8X080C16MP11	UC48D	0.97	0.91	1.05
TM8X080C16MP11	UC60C	0.98	0.91	1.02
TM8X080C16MP11	UC60D	0.98	0.91	1.07
TM8X100C16MP11	FC/MC/PC43C	0.97	0.90	1.02
TM8X100C16MP11	FC/MC/PC48C	0.98	0.91	1.02
TM8X100C16MP11	FC/MC/PC48D	0.97	0.91	1.06
TM8X100C16MP11	FC/MC/PC60D	0.98	0.92	1.07
TM8X100C16MP11	FC/MC62D	0.99	0.94	1.06
TM8X100C16MP11	FC/PC60C	0.98	0.92	1.02
TM8X100C16MP11	FC64D	1.01	0.97	1.06
TM8X100C16MP11	UC48C	0.97	0.91	1.02
TM8X100C16MP11	UC48D	0.97	0.91	1.05
TM8X100C16MP11	UC60C	0.98	0.91	1.02
TM8X100C16MP11	UC60D	0.98	0.91	1.07
TM9E060B12MP11	FC/MC/PC43B	0.96	0.89	1.06
TM9E080B12MP11	FC/MC/PC43B	0.96	0.89	1.06
TM9E080C16MP11	FC/MC/PC48D	0.98	0.92	1.09
TM9E080C16MP11	FC/MC62D	0.98	0.94	1.07
TM9E080C16MP11	FC64D	1.01	0.96	1.08
TM9E080C16MP11	UC48D	0.96	0.91	1.07
TM9E100C16MP11	FC/MC/PC48D	0.98	0.92	1.09
TM9E100C16MP11	FC/MC62D	0.98	0.94	1.07
TM9E100C16MP11	FC64D	1.01	0.96	1.08
TM9E100C16MP11	UC48D	0.96	0.91	1.07
TM9X060B12MP11	FC/MC/PC43B	0.96	0.89	1.06
TM9X080B12MP11	FC/MC/PC43B	0.96	0.89	1.06
TM9X080C16MP11	FC/MC/PC48D	0.98	0.92	1.09
TM9X080C16MP11	FC/MC62D	0.98	0.94	1.07
TM9X080C16MP11	FC64D	1.01	0.96	1.08

Furnace	Coil	T.C.	S.C.	KW
TM9X080C16MP11	UC48D	0.96	0.91	1.07
TM9X100C16MP11	FC/MC/PC48D	0.98	0.92	1.09
TM9X100C16MP11	FC/MC62D	0.98	0.94	1.07
TM9X100C16MP11	FC64D	1.01	0.96	1.08
TM9X100C16MP11	UC48D	0.96	0.91	1.07
TMLX060A12MP11	FC/MC/PC37A	0.96	0.88	1.06
TMLX080B12MP11	FC/MC/PC43B	0.96	0.89	1.06
TMLX080C16MP11	FC/MC/PC43C	0.97	0.90	1.02
TMLX080C16MP11	FC/MC/PC48C	0.98	0.91	1.02
TMLX080C16MP11	FC/MC/PC48D	0.97	0.91	1.06
TMLX080C16MP11	FC/MC/PC60D	0.98	0.92	1.07
TMLX080C16MP11	FC/MC62D	0.99	0.94	1.06
TMLX080C16MP11	FC/PC60C	0.98	0.92	1.02
TMLX080C16MP11	FC64D	1.01	0.97	1.06
TMLX080C16MP11	UC48C	0.97	0.91	1.02
TMLX080C16MP11	UC48D	0.97	0.91	1.05
TMLX080C16MP11	UC60C	0.98	0.91	1.02
TMLX080C16MP11	UC60D	0.98	0.91	1.07
TMLX100C16MP11	FC/MC/PC43C	0.97	0.90	1.02
TMLX100C16MP11	FC/MC/PC48C	0.98	0.91	1.02
TMLX100C16MP11	FC/MC/PC48D	0.97	0.91	1.06
TMLX100C16MP11	FC/MC/PC60D	0.98	0.92	1.07
TMLX100C16MP11	FC/MC62D	0.99	0.94	1.06
TMLX100C16MP11	FC/PC60C	0.98	0.92	1.02
TMLX100C16MP11	FC64D	1.01	0.97	1.06
TMLX100C16MP11	UC48C	0.97	0.91	1.02
TMLX100C16MP11	UC48D	0.97	0.91	1.05
TMLX100C16MP11	UC60C	0.98	0.91	1.02
TMLX100C16MP11	UC60D	0.98	0.91	1.07
Y*(8,L)*A12	FC/MC/PC37A	0.93	0.86	1.03
Y*(8,L)*B12	FC/MC/PC43B	0.96	0.94	1.06
Y*(8,L)*C16	FC/MC/PC43C	0.98	0.96	1.02
Y*(8,L)*C16	FC/MC/PC48C	0.97	0.96	0.99
Y*(8,L)*C16	FC/PC60C	0.97	0.96	0.98
Y*(8,L)*C16	UC48C	0.97	0.96	1.01
Y*(8,L)*C16	UC60C	0.97	0.95	1.00
Y*(8,L)*C20	FC/MC/PC43C	0.98	0.96	1.01
Y*(8,L)*C20	FC/MC/PC48C	0.97	0.94	0.98
Y*(8,L)*C20	FC/PC60C	0.97	0.97	0.99
Y*(8,L)*C20	UC48C	0.97	0.95	1.00
Y*(8,L)*C20	UC60C	0.97	0.95	1.01
Y*9C*B12	FC/MC/PC43B	0.96	0.94	1.05
Y*9C*C16	FC/MC/PC43C	0.97	0.96	1.05
Y*9C*C16	FC/MC/PC48C	0.97	0.96	1.02
Y*9C*C16	FC/PC60C	0.96	0.96	1.03
Y*9C*C16	UC48C	0.97	0.96	1.02
Y*9C*C16	UC60C	0.97	0.94	1.03
Y*9C*C20	FC/MC/PC43C	0.97	0.96	1.02
Y*9C*C20	FC/MC/PC48C	0.97	0.99	1.05
Y*9C*C20	FC/PC60C	0.97	1.00	1.04
Y*9C*C20	UC48C	0.99	1.01	1.06
Y*9C*C20	UC60C	0.98	0.99	1.04
Y*9C*D20	FC/MC/PC60D	0.97	0.97	1.01
Y*9C*D20	FC/MC62D	0.99	0.99	1.02
Y*9C*D20	FC64D	1.00	1.01	1.01
Y*9C*D20	UC60D	0.97	0.95	1.01

COOLING PERFORMANCE DATA - LOW CFM 1-STAGE OPERATION																
OUTDOOR UNIT MODEL NO.		YZH04811(C)														
INDOOR COIL MODEL NO.		FC/MC62D + MV20D														
AIR TEMP. ENTERING OUTDOOR UNIT (°F)	ID CFM	1000					1050					1100				
	ID DB (°F)	80	80	75	80	80	80	80	75	80	80	80	80	75	80	80
	ID WB (°F)	57	62	62	67	72	57	62	62	67	72	57	62	62	67	72
65	T.C.	33.0	35.1	35.0	38.6	42.5	33.6	35.5	35.4	39.0	43.0	34.2	36.0	35.8	39.5	43.4
	S.C.	33.0	32.4	27.4	27.4	22.8	33.6	33.3	28.0	28.1	23.1	34.2	34.2	28.6	28.8	23.4
	KW	1.58	1.58	1.58	1.58	1.58	1.58	1.58	1.58	1.58	1.58	1.58	1.58	1.58	1.58	1.58
75	T.C.	31.9	33.5	33.4	36.9	40.6	32.4	33.9	33.7	37.3	41.0	33.0	34.2	34.1	37.7	41.5
	S.C.	31.9	31.7	26.6	26.7	21.9	32.4	32.6	27.2	27.3	22.2	33.0	33.5	27.9	28.0	22.5
	KW	1.87	1.86	1.86	1.86	1.85	1.87	1.86	1.86	1.86	1.85	1.87	1.86	1.86	1.86	1.85
85	T.C.	30.7	31.8	31.8	35.2	38.7	31.2	32.2	32.1	35.5	39.1	31.8	32.5	32.4	35.9	39.5
	S.C.	30.7	31.0	25.9	25.9	20.9	31.2	31.9	26.5	26.6	21.3	31.8	32.5	27.1	27.2	21.6
	KW	2.15	2.15	2.15	2.14	2.13	2.15	2.15	2.15	2.14	2.13	2.15	2.15	2.15	2.14	2.13
95	T.C.	29.5	30.2	30.1	33.5	36.8	30.0	30.5	30.4	33.8	37.2	30.5	30.8	30.7	34.1	37.6
	S.C.	29.5	30.2	25.1	25.2	20.0	30.0	30.5	25.8	25.8	20.4	30.5	30.8	26.4	26.4	20.8
	KW	2.44	2.44	2.44	2.42	2.41	2.44	2.44	2.44	2.42	2.41	2.44	2.44	2.44	2.42	2.40
105	T.C.	27.7	28.1	27.5	30.9	34.1	28.1	28.4	27.8	31.1	34.4	28.6	28.7	28.1	31.4	34.7
	S.C.	27.7	28.1	24.0	24.1	18.9	28.1	28.4	24.6	24.7	19.2	28.6	28.7	25.3	25.3	19.6
	KW	2.83	2.82	2.83	2.81	2.79	2.82	2.82	2.83	2.81	2.78	2.82	2.82	2.82	2.81	2.78
115	T.C.	25.9	26.1	25.0	28.4	31.5	26.3	26.4	25.3	28.6	31.7	26.7	26.8	25.5	28.8	32.0
	S.C.	25.9	26.1	22.9	23.1	17.8	26.3	26.4	23.5	23.7	18.1	26.7	26.8	24.2	24.3	18.5
	KW	3.20	3.20	3.20	3.19	3.15	3.20	3.19	3.20	3.18	3.15	3.19	3.19	3.20	3.18	3.15
125	T.C.	24.1	24.1	22.5	25.9	28.9	24.4	24.4	22.8	26.0	29.0	24.8	24.8	23.0	26.1	29.2
	S.C.	24.1	24.1	21.7	22.0	16.7	24.4	24.4	22.4	22.6	17.1	24.8	24.8	23.0	23.3	17.4
	KW	3.57	3.57	3.58	3.56	3.52	3.57	3.57	3.58	3.56	3.52	3.56	3.56	3.58	3.55	3.51

NOTE: ALL CAPACITIES INCLUDE INDOOR FAN HEAT. KW VALUES ARE FOR THE SYSTEM (OUTDOOR + INDOOR).

Multipliers for determining the performance with other indoor sections.

NOTE: For dry bulb temperatures different than those listed (between 73-87 °F), sensible capacity increases by 1060 BTUH per 1000 CFM per degree above the listed temperature and decreases by 1060 BTUH per 1000 CFM per degree below the listed temperature.

LOW CFM

Air Handler	Coil	T.C.	S.C.	KW
-	FC/MC62	0.99	1.02	1.07
-	FC64	1.01	1.05	1.11
AHE60D	-	1.00	0.96	1.00
AHV48D	-	0.99	0.92	1.04
AHV60D	-	0.99	0.94	1.04
MV16C	FC/MC48C	0.99	0.97	0.99
MV20D	FC/MC48D	0.99	0.97	0.96
MV20D	FC/MC60D	0.98	0.97	0.95
MV20D	FC/MC62D	1.00	1.00	1.00
MV20D	FC64D	1.02	1.03	0.98
MX16CN21	FC/MC48C	0.97	0.91	1.02
MX16CN21	FC60C	0.97	0.91	1.01

Furnace	Coil	T.C.	S.C.	KW
T*(8,L)C*C16	FC/MC/PC48C	0.99	0.97	1.02
T*(8,L)C*C16	FC/PC60C	0.98	0.95	1.02
T*(8,L)C*C16	FC64D	1.01	1.00	1.01
T*(8,L)C*C16	UC48C	0.98	0.97	1.02
T*(8,L)C*C16	UC60C	0.98	0.95	1.01
T*(8,L)C*C20	FC/MC/PC48C	0.99	0.99	0.95
T*(8,L)C*C20	FC/MC62D	0.98	0.96	1.00
T*(8,L)C*C20	FC/PC60C	0.98	0.97	1.01
T*(8,L)C*C20	FC64D	1.01	0.99	1.00
T*(8,L)C*C20	UC48C	0.99	0.99	1.03
T*(8,L)C*C20	UC60C	0.98	0.95	1.00
T*(8,L)V*C16	FC/MC/PC48C	0.99	0.97	1.02
T*(8,L)V*C16	FC/PC60C	0.98	0.95	1.02
T*(8,L)V*C16	FC64D	1.01	1.00	1.01
T*(8,L)V*C16	UC48C	0.98	0.97	1.02
T*(8,L)V*C16	UC60C	0.98	0.95	1.01

Furnace	Coil	T.C.	S.C.	KW
T*(8,L)V*C20	FC/MC/PC48C	0.99	0.99	0.95
T*(8,L)V*C20	FC/MC62D	0.98	0.96	1.00
T*(8,L)V*C20	FC/PC60C	0.98	0.97	1.01
T*(8,L)V*C20	FC64D	1.01	0.99	1.00
T*(8,L)V*C20	UC48C	0.99	0.99	1.03
T*(8,L)V*C20	UC60C	0.98	0.95	1.00
T*9(C,V)*C16	FC/MC/PC48C	0.99	0.98	1.03
T*9(C,V)*C16	FC/PC60C	0.98	0.98	1.03
T*9(C,V)*C16	FC64D	1.01	1.00	1.02
T*9(C,V)*C16	UC48C	0.99	0.98	1.03
T*9(C,V)*C16	UC60C	0.98	0.95	1.03
T*9(C,V)*C20	FC/MC/PC48C	0.99	0.98	1.02
T*9(C,V)*C20	FC/PC60C	0.99	0.98	1.02
T*9(C,V)*C20	FC64D	1.01	1.00	1.02
T*9(C,V)*C20	UC48C	0.98	0.98	1.02
T*9(C,V)*C20	UC60C	0.98	0.96	1.02
T*9(C,V)*D20	FC/MC/PC48D	0.99	0.98	1.03
T*9(C,V)*D20	FC/MC/PC60D	0.99	0.99	1.03
T*9(C,V)*D20	FC/MC62D	0.99	0.99	1.03
T*9(C,V)*D20	FC64D	1.02	1.03	0.98
T*9(C,V)*D20	UC48D	0.98	0.98	1.03
T*9(C,V)*D20	UC60D	0.98	0.96	1.03
TM8X080C16MP11	FC/MC/PC48C	0.97	0.91	0.98
TM8X080C16MP11	FC/MC/PC48D	0.97	0.91	1.02
TM8X080C16MP11	FC/MC/PC60D	0.97	0.91	1.01
TM8X080C16MP11	FC/MC62D	0.98	0.93	0.99
TM8X080C16MP11	FC/PC60C	0.97	0.91	0.99
TM8X080C16MP11	FC64D	1.00	0.96	1.00
TM8X080C16MP11	UC48C	0.97	0.91	0.99

Continued on next page.

Furnace	Coil	T.C.	S.C.	KW
TM8X080C16MP11	UC48D	0.97	0.91	1.02
TM8X080C16MP11	UC60C	0.96	0.90	1.00
TM8X080C16MP11	UC60D	0.96	0.90	1.03
TM8X100C16MP11	FC/MC/PC48C	0.97	0.91	0.98
TM8X100C16MP11	FC/MC/PC48D	0.97	0.91	1.02
TM8X100C16MP11	FC/MC/PC60D	0.97	0.91	1.01
TM8X100C16MP11	FC/MC62D	0.98	0.93	0.99
TM8X100C16MP11	FC/PC60C	0.97	0.91	0.99
TM8X100C16MP11	FC64D	1.00	0.96	1.00
TM8X100C16MP11	UC48C	0.97	0.91	0.99
TM8X100C16MP11	UC48D	0.97	0.91	1.02
TM8X100C16MP11	UC60C	0.96	0.90	1.00
TM8X100C16MP11	UC60D	0.96	0.90	1.03
TM8X100C20MP11	FC/MC/PC48C	0.98	0.93	1.01
TM8X100C20MP11	FC/MC/PC48D	0.99	0.95	1.04
TM8X100C20MP11	FC/MC/PC60D	0.99	0.94	1.01
TM8X100C20MP11	FC/MC62D	0.99	0.96	1.01
TM8X100C20MP11	FC/PC60C	0.99	0.93	1.04
TM8X100C20MP11	UC48C	0.99	0.94	1.01
TM8X100C20MP11	UC48D	0.99	0.95	1.04
TM8X100C20MP11	UC60C	0.97	0.93	1.04
TM8X100C20MP11	UC60D	0.98	0.93	1.02
TM8X120C20MP11	FC/MC/PC48C	0.98	0.93	1.01
TM8X120C20MP11	FC/MC/PC48D	0.99	0.95	1.04
TM8X120C20MP11	FC/MC/PC60D	0.99	0.94	1.01
TM8X120C20MP11	FC/MC62D	0.99	0.96	1.01
TM8X120C20MP11	FC/PC60C	0.99	0.93	1.04
TM8X120C20MP11	UC48C	0.99	0.94	1.01
TM8X120C20MP11	UC48D	0.99	0.95	1.04
TM8X120C20MP11	UC60C	0.97	0.93	1.04
TM8X120C20MP11	UC60D	0.98	0.93	1.02
TM9E100C20MP11	FC/MC/PC48C	0.95	0.87	0.99
TM9E100C20MP11	FC/MC/PC48D	0.96	0.88	1.03
TM9E100C20MP11	FC/MC/PC60D	0.96	0.88	1.03
TM9E100C20MP11	FC/MC62D	0.97	0.90	0.99
TM9E100C20MP11	FC64D	1.00	0.93	0.99
TM9E100C20MP11	UC48C	0.96	0.88	0.99
TM9E100C20MP11	UC48D	0.96	0.89	1.03
TM9E100C20MP11	UC60D	0.95	0.87	1.02
TM9E120D20MP11	FC/MC/PC48D	0.97	0.91	0.98
TM9E120D20MP11	FC/MC/PC60D	0.97	0.91	0.98
TM9E120D20MP11	FC/MC62D	0.97	0.90	0.99
TM9E120D20MP11	FC64D	0.99	0.92	1.02
TM9E120D20MP11	UC48D	0.97	0.89	0.99
TM9E120D20MP11	UC60D	0.96	0.90	1.00
TM9X100C20MP11	FC/MC/PC48C	0.95	0.87	0.99
TM9X100C20MP11	FC/MC/PC48D	0.96	0.88	1.03
TM9X100C20MP11	FC/MC/PC60D	0.96	0.88	1.03
TM9X100C20MP11	FC/MC62D	0.97	0.90	0.99
TM9X100C20MP11	FC64D	1.00	0.93	0.99
TM9X100C20MP11	UC48C	0.96	0.88	0.99
TM9X100C20MP11	UC48D	0.96	0.89	1.03
TM9X100C20MP11	UC60D	0.95	0.87	1.02
TM9X120D20MP11	FC/MC/PC48D	0.97	0.91	0.98
TM9X120D20MP11	FC/MC/PC60D	0.97	0.91	0.98
TM9X120D20MP11	FC/MC62D	0.97	0.90	0.99
TM9X120D20MP11	FC64D	0.99	0.92	1.02
TM9X120D20MP11	UC48D	0.97	0.89	0.99
TM9X120D20MP11	UC60D	0.96	0.90	1.00
TMLX080C16MP11	FC/MC/PC48C	0.97	0.91	0.98
TMLX080C16MP11	FC/MC/PC48D	0.97	0.91	1.02
TMLX080C16MP11	FC/MC/PC60D	0.97	0.91	1.01

Furnace	Coil	T.C.	S.C.	KW
TMLX080C16MP11	FC/MC62D	0.98	0.93	0.99
TMLX080C16MP11	FC/PC60C	0.97	0.91	0.99
TMLX080C16MP11	FC64D	1.00	0.96	1.00
TMLX080C16MP11	UC48C	0.97	0.91	0.99
TMLX080C16MP11	UC48D	0.97	0.91	1.02
TMLX080C16MP11	UC60C	0.96	0.90	1.00
TMLX080C16MP11	UC60D	0.96	0.90	1.03
TMLX100C16MP11	FC/MC/PC48C	0.97	0.91	0.98
TMLX100C16MP11	FC/MC/PC48D	0.97	0.91	1.02
TMLX100C16MP11	FC/MC/PC60D	0.97	0.91	1.01
TMLX100C16MP11	FC/MC62D	0.98	0.93	0.99
TMLX100C16MP11	FC/PC60C	0.97	0.91	0.99
TMLX100C16MP11	FC64D	1.00	0.96	1.00
TMLX100C16MP11	UC48C	0.97	0.91	0.99
TMLX100C16MP11	UC48D	0.97	0.91	1.02
TMLX100C16MP11	UC60C	0.96	0.90	1.00
TMLX100C16MP11	UC60D	0.96	0.90	1.03
TMLX100C20MP11	FC/MC/PC48C	0.98	0.93	1.01
TMLX100C20MP11	FC/MC/PC48D	0.99	0.95	1.04
TMLX100C20MP11	FC/MC/PC60D	0.99	0.94	1.01
TMLX100C20MP11	FC/MC62D	0.99	0.96	1.01
TMLX100C20MP11	FC/PC60C	0.99	0.93	1.04
TMLX100C20MP11	UC48C	0.99	0.94	1.01
TMLX100C20MP11	UC48D	0.99	0.95	1.04
TMLX100C20MP11	UC60C	0.97	0.93	1.04
TMLX100C20MP11	UC60D	0.98	0.93	1.02
TMLX120C20MP11	FC/MC/PC48C	0.98	0.93	1.01
TMLX120C20MP11	FC/MC/PC48D	0.99	0.95	1.04
TMLX120C20MP11	FC/MC/PC60D	0.99	0.94	1.01
TMLX120C20MP11	FC/MC62D	0.99	0.96	1.01
TMLX120C20MP11	FC/PC60C	0.99	0.93	1.04
TMLX120C20MP11	UC48C	0.99	0.94	1.01
TMLX120C20MP11	UC48D	0.99	0.95	1.04
TMLX120C20MP11	UC60C	0.97	0.93	1.04
TMLX120C20MP11	UC60D	0.98	0.93	1.02
Y*(8,L)C*C16	FC/MC/PC48C	0.99	0.97	1.02
Y*(8,L)C*C16	FC/PC60C	0.98	0.95	1.02
Y*(8,L)C*C16	FC64D	1.01	1.00	1.01
Y*(8,L)C*C16	UC48C	0.98	0.97	1.02
Y*(8,L)C*C16	UC60C	0.98	0.95	1.01
Y*(8,L)C*C20	FC/MC/PC48C	0.99	0.99	0.95
Y*(8,L)C*C20	FC/MC62D	0.98	0.96	1.00
Y*(8,L)C*C20	FC/PC60C	0.98	0.97	1.01
Y*(8,L)C*C20	FC64D	1.01	0.99	1.00
Y*(8,L)C*C20	UC48C	0.99	0.99	1.03
Y*(8,L)C*C20	UC60C	0.98	0.95	1.00
Y*9C*C16	FC/MC/PC48C	0.99	0.98	1.03
Y*9C*C16	FC/PC60C	0.98	0.98	1.03
Y*9C*C16	FC64D	1.01	1.00	1.02
Y*9C*C16	UC48C	0.99	0.98	1.03
Y*9C*C16	UC60C	0.98	0.95	1.03
Y*9C*C20	FC/MC/PC48C	0.99	0.98	1.02
Y*9C*C20	FC/PC60C	0.99	0.98	1.02
Y*9C*C20	FC64D	1.01	1.00	1.02
Y*9C*C20	UC48C	0.98	0.98	1.02
Y*9C*C20	UC60C	0.98	0.96	1.02
Y*9C*D20	FC/MC/PC48D	0.99	0.98	1.03
Y*9C*D20	FC/MC/PC60D	0.99	0.99	1.03
Y*9C*D20	FC/MC62D	0.99	0.99	1.03
Y*9C*D20	FC64D	1.02	1.03	0.98
Y*9C*D20	UC48D	0.98	0.98	1.03
Y*9C*D20	UC60D	0.98	0.96	1.03

COOLING PERFORMANCE DATA - HIGH CFM 2-STAGE OPERATION																
OUTDOOR UNIT MODEL NO.		YZH04811(C)														
INDOOR COIL MODEL NO.		FC/MC62D + MV20D														
AIR TEMP. ENTERING OUTDOOR UNIT (°F)	ID CFM	1475					1575					1675				
	ID DB (°F)	80	80	75	80	80	80	80	75	80	80	80	80	75	80	80
	ID WB (°F)	57	62	62	67	72	57	62	62	67	72	57	62	62	67	72
65	T.C.	47.3	49.5	49.3	53.9	58.5	48.2	49.8	49.9	54.5	58.8	49.2	50.1	50.5	55.2	59.1
	S.C.	47.3	46.2	38.9	38.8	31.1	48.2	48.0	40.1	39.9	31.6	49.2	49.7	41.2	41.0	32.2
	KW	2.56	2.59	2.59	2.65	2.72	2.57	2.60	2.59	2.66	2.74	2.58	2.60	2.60	2.67	2.76
75	T.C.	45.6	47.2	47.2	51.5	55.9	46.5	47.6	47.7	52.0	56.3	47.4	47.9	48.1	52.6	56.6
	S.C.	45.6	45.2	37.8	37.7	30.0	46.5	46.7	39.0	38.8	30.5	47.4	47.9	40.1	39.9	31.1
	KW	2.93	2.95	2.95	3.02	3.09	2.95	2.96	2.96	3.03	3.11	2.96	2.97	2.97	3.04	3.12
85	T.C.	44.0	45.0	45.1	49.1	53.4	44.8	45.3	45.4	49.5	53.8	45.7	45.7	45.8	49.9	54.2
	S.C.	44.0	44.2	36.8	36.6	28.9	44.8	45.3	37.9	37.7	29.5	45.7	45.7	39.0	38.8	30.1
	KW	3.31	3.32	3.32	3.38	3.46	3.32	3.33	3.33	3.39	3.47	3.33	3.33	3.33	3.40	3.48
95	T.C.	42.3	42.8	43.0	46.7	50.9	43.1	43.1	43.2	47.0	51.3	43.9	43.5	43.4	47.3	51.8
	S.C.	42.3	42.8	35.8	35.5	27.8	43.1	43.1	36.9	36.6	28.4	43.9	43.5	37.9	37.7	29.1
	KW	3.68	3.68	3.68	3.75	3.82	3.69	3.69	3.69	3.76	3.83	3.71	3.70	3.70	3.77	3.84
105	T.C.	39.9	40.2	39.7	43.3	47.2	40.6	40.6	40.0	43.6	47.6	41.2	41.0	40.2	43.9	48.0
	S.C.	39.9	40.2	34.2	34.0	26.2	40.6	40.6	35.4	35.1	26.8	41.2	41.0	36.5	36.2	27.5
	KW	4.15	4.16	4.14	4.22	4.29	4.17	4.17	4.15	4.23	4.30	4.18	4.18	4.16	4.23	4.31
115	T.C.	37.5	37.6	36.6	40.1	43.7	38.1	38.1	36.8	40.3	44.0	38.7	38.5	37.1	40.6	44.3
	S.C.	37.5	37.6	32.8	32.6	24.7	38.1	38.1	33.9	33.7	25.3	38.7	38.5	35.1	34.8	26.0
	KW	4.62	4.62	4.59	4.67	4.75	4.63	4.63	4.60	4.68	4.76	4.65	4.64	4.61	4.69	4.76
125	T.C.	35.1	35.1	33.4	36.9	40.1	35.6	35.6	33.7	37.1	40.3	36.1	36.1	33.9	37.3	40.5
	S.C.	35.1	35.1	31.3	31.1	23.1	35.6	35.6	32.5	32.2	23.8	36.1	36.1	33.6	33.4	24.4
	KW	5.08	5.08	5.04	5.12	5.20	5.09	5.09	5.05	5.13	5.21	5.11	5.11	5.05	5.14	5.22

NOTE: ALL CAPACITIES INCLUDE INDOOR FAN HEAT. KW VALUES ARE FOR THE SYSTEM (OUTDOOR + INDOOR).

Multipliers for determining the performance with other indoor sections.

NOTE: For dry bulb temperatures different than those listed (between 73-87 °F), sensible capacity increases by 1060 BTUH per 1000 CFM per degree above the listed temperature and decreases by 1060 BTUH per 1000 CFM per degree below the listed temperature.

HIGH CFM

Air Handler	Coil	T.C.	S.C.	KW
-	FC/MC62	0.98	0.97	1.06
-	FC64	0.99	1.00	1.06
AHE60D	-	1.00	0.98	0.98
AHV48D	-	0.99	0.93	1.01
AHV60D	-	0.99	0.96	1.00
MV16C	FC/MC48C	0.99	0.97	1.01
MV20D	FC/MC48D	0.99	0.97	0.99
MV20D	FC/MC60D	0.98	0.99	0.98
MV20D	FC/MC62D	1.00	1.00	1.00
MV20D	FC64D	1.01	1.03	1.01
MX16CN21	FC/MC48C	0.97	0.93	1.05
MX16CN21	FC60C	0.97	0.93	1.05

Furnace	Coil	T.C.	S.C.	KW
T*(8,L)C*C16	FC/MC/PC48C	0.98	0.95	1.06
T*(8,L)C*C16	FC/PC60C	0.99	0.96	1.05
T*(8,L)C*C16	FC64D	1.01	1.03	1.05
T*(8,L)C*C16	UC48C	0.99	0.97	1.05
T*(8,L)C*C16	UC60C	0.98	0.96	1.03
T*(8,L)C*C20	FC/MC/PC48C	0.99	0.97	1.05
T*(8,L)C*C20	FC/MC62D	0.99	0.99	1.00
T*(8,L)C*C20	FC/PC60C	0.99	0.97	1.04
T*(8,L)C*C20	FC64D	1.00	1.02	1.02
T*(8,L)C*C20	UC48C	0.99	0.97	1.05
T*(8,L)C*C20	UC60C	0.99	0.97	1.02
T*(8,L)V*C16	FC/MC/PC48C	0.98	0.95	1.06
T*(8,L)V*C16	FC/PC60C	0.99	0.96	1.05
T*(8,L)V*C16	FC64D	1.01	1.03	1.05
T*(8,L)V*C16	UC48C	0.99	0.97	1.05
T*(8,L)V*C16	UC60C	0.98	0.96	1.03

Furnace	Coil	T.C.	S.C.	KW
T*(8,L)V*C20	FC/MC/PC48C	0.99	0.97	1.05
T*(8,L)V*C20	FC/MC62D	0.99	0.99	1.03
T*(8,L)V*C20	FC/PC60C	0.99	0.97	1.04
T*(8,L)V*C20	FC64D	1.00	1.02	1.02
T*(8,L)V*C20	UC48C	0.99	0.97	1.05
T*(8,L)V*C20	UC60C	0.99	0.97	1.02
T*9(C,V)*C16	FC/MC/PC48C	0.98	0.96	1.05
T*9(C,V)*C16	FC/PC60C	0.99	0.98	1.05
T*9(C,V)*C16	FC64D	1.00	1.01	1.06
T*9(C,V)*C16	UC48C	0.99	0.97	1.06
T*9(C,V)*C16	UC60C	0.98	0.96	1.05
T*9(C,V)*C20	FC/MC/PC48C	0.98	0.96	1.05
T*9(C,V)*C20	FC/PC60C	0.99	0.98	1.05
T*9(C,V)*C20	FC64D	1.00	1.02	1.06
T*9(C,V)*C20	UC48C	0.99	0.97	1.06
T*9(C,V)*C20	UC60C	0.98	0.96	1.05
T*9(C,V)*D20	FC/MC/PC48D	0.99	0.97	1.06
T*9(C,V)*D20	FC/MC/PC60D	0.99	0.98	1.05
T*9(C,V)*D20	FC/MC62D	0.99	0.99	1.03
T*9(C,V)*D20	FC64D	1.00	1.02	1.03
T*9(C,V)*D20	UC48D	0.99	0.97	1.06
T*9(C,V)*D20	UC60D	0.98	0.96	1.04
TM8X080C16MP11	FC/MC/PC48C	0.97	0.93	1.03
TM8X080C16MP11	FC/MC/PC48D	0.97	0.93	1.05
TM8X080C16MP11	FC/MC/PC60D	0.96	0.92	1.06
TM8X080C16MP11	FC/MC62D	0.97	0.93	1.02
TM8X080C16MP11	FC/PC60C	0.96	0.92	1.02
TM8X080C16MP11	FC64D	0.98	0.95	1.02
TM8X080C16MP11	UC48C	0.95	0.90	1.01

Continued on next page.

Furnace	Coil	T.C.	S.C.	KW
TM8X080C16MP11	UC48D	0.96	0.90	1.06
TM8X080C16MP11	UC60C	0.95	0.89	1.02
TM8X080C16MP11	UC60D	0.95	0.89	1.05
TM8X100C16MP11	FC/MC/PC48C	0.97	0.93	1.03
TM8X100C16MP11	FC/MC/PC48D	0.97	0.93	1.05
TM8X100C16MP11	FC/MC/PC60D	0.96	0.92	1.06
TM8X100C16MP11	FC/MC62D	0.97	0.93	1.02
TM8X100C16MP11	FC/PC60C	0.96	0.92	1.02
TM8X100C16MP11	FC64D	0.98	0.95	1.02
TM8X100C16MP11	UC48C	0.95	0.90	1.01
TM8X100C16MP11	UC48D	0.96	0.90	1.06
TM8X100C16MP11	UC60C	0.95	0.89	1.02
TM8X100C16MP11	UC60D	0.95	0.89	1.05
TM8X100C20MP11	FC/MC/PC48C	0.96	0.91	1.01
TM8X100C20MP11	FC/MC/PC48D	0.96	0.92	1.04
TM8X100C20MP11	FC/MC/PC60D	0.96	0.92	1.00
TM8X100C20MP11	FC/MC62D	0.97	0.94	1.00
TM8X100C20MP11	FC/PC60C	0.96	0.91	1.04
TM8X100C20MP11	UC48C	0.96	0.91	1.01
TM8X100C20MP11	UC48D	0.96	0.92	1.04
TM8X100C20MP11	UC60C	0.96	0.90	1.06
TM8X100C20MP11	UC60D	0.96	0.91	1.01
TM8X120C20MP11	FC/MC/PC48C	0.96	0.91	1.01
TM8X120C20MP11	FC/MC/PC48D	0.96	0.92	1.04
TM8X120C20MP11	FC/MC/PC60D	0.96	0.92	1.00
TM8X120C20MP11	FC/MC62D	0.97	0.94	1.00
TM8X120C20MP11	FC/PC60C	0.96	0.91	1.04
TM8X120C20MP11	UC48C	0.96	0.91	1.01
TM8X120C20MP11	UC48D	0.96	0.92	1.04
TM8X120C20MP11	UC60C	0.96	0.90	1.06
TM8X120C20MP11	UC60D	0.96	0.91	1.01
TM9E100C20MP11	FC/MC/PC48C	0.95	0.89	1.02
TM9E100C20MP11	FC/MC/PC48D	0.95	0.90	1.05
TM9E100C20MP11	FC/MC/PC60D	0.95	0.90	1.05
TM9E100C20MP11	FC/MC62D	0.97	0.93	1.02
TM9E100C20MP11	FC64D	0.98	0.95	1.02
TM9E100C20MP11	UC48C	0.95	0.89	1.02
TM9E100C20MP11	UC48D	0.95	0.90	1.05
TM9E100C20MP11	UC60D	0.95	0.89	1.05
TM9E120D20MP11	FC/MC/PC48D	0.97	0.93	1.03
TM9E120D20MP11	FC/MC/PC60D	0.96	0.92	1.01
TM9E120D20MP11	FC/MC62D	0.97	0.93	1.02
TM9E120D20MP11	FC64D	0.99	0.95	1.05
TM9E120D20MP11	UC48D	0.96	0.90	1.02
TM9E120D20MP11	UC60D	0.95	0.90	1.00
TM9X100C20MP11	FC/MC/PC48C	0.95	0.89	1.02
TM9X100C20MP11	FC/MC/PC48D	0.95	0.90	1.05
TM9X100C20MP11	FC/MC/PC60D	0.95	0.90	1.05
TM9X100C20MP11	FC/MC62D	0.97	0.93	1.02
TM9X100C20MP11	FC64D	0.98	0.95	1.02
TM9X100C20MP11	UC48C	0.95	0.89	1.02
TM9X100C20MP11	UC48D	0.95	0.90	1.05
TM9X100C20MP11	UC60D	0.95	0.89	1.05
TM9X120D20MP11	FC/MC/PC48D	0.97	0.93	1.03
TM9X120D20MP11	FC/MC/PC60D	0.96	0.92	1.01
TM9X120D20MP11	FC/MC62D	0.97	0.93	1.02
TM9X120D20MP11	FC64D	0.99	0.95	1.05
TM9X120D20MP11	UC48D	0.96	0.90	1.02
TM9X120D20MP11	UC60D	0.95	0.90	1.00
TMLX080C16MP11	FC/MC/PC48C	0.97	0.93	1.03
TMLX080C16MP11	FC/MC/PC48D	0.97	0.93	1.05
TMLX080C16MP11	FC/MC/PC60D	0.96	0.92	1.06
TMLX080C16MP11	FC/MC62D	0.97	0.93	1.02

Furnace	Coil	T.C.	S.C.	KW
TMLX080C16MP11	FC/PC60C	0.96	0.92	1.02
TMLX080C16MP11	FC64D	0.98	0.95	1.02
TMLX080C16MP11	UC48C	0.95	0.90	1.01
TMLX080C16MP11	UC48D	0.96	0.90	1.06
TMLX080C16MP11	UC60C	0.95	0.89	1.02
TMLX080C16MP11	UC60D	0.95	0.89	1.05
TMLX100C16MP11	FC/MC/PC48C	0.97	0.93	1.03
TMLX100C16MP11	FC/MC/PC48D	0.97	0.93	1.05
TMLX100C16MP11	FC/MC/PC60D	0.96	0.92	1.06
TMLX100C16MP11	FC/MC62D	0.97	0.93	1.02
TMLX100C16MP11	FC/PC60C	0.96	0.92	1.02
TMLX100C16MP11	FC64D	0.98	0.95	1.02
TMLX100C16MP11	UC48C	0.95	0.90	1.01
TMLX100C16MP11	UC48D	0.96	0.90	1.06
TMLX100C16MP11	UC60C	0.95	0.89	1.02
TMLX100C16MP11	UC60D	0.95	0.89	1.05
TMLX100C20MP11	FC/MC/PC48C	0.96	0.91	1.01
TMLX100C20MP11	FC/MC/PC48D	0.96	0.92	1.04
TMLX100C20MP11	FC/MC/PC60D	0.96	0.92	1.00
TMLX100C20MP11	FC/MC62D	0.97	0.94	1.00
TMLX100C20MP11	FC/PC60C	0.96	0.91	1.04
TMLX100C20MP11	UC48C	0.96	0.91	1.01
TMLX100C20MP11	UC48D	0.96	0.92	1.04
TMLX100C20MP11	UC60C	0.96	0.90	1.06
TMLX100C20MP11	UC60D	0.96	0.91	1.01
TMLX120C20MP11	FC/MC/PC48C	0.96	0.91	1.01
TMLX120C20MP11	FC/MC/PC48D	0.96	0.92	1.04
TMLX120C20MP11	FC/MC/PC60D	0.96	0.92	1.00
TMLX120C20MP11	FC/MC62D	0.97	0.94	1.00
TMLX120C20MP11	FC/PC60C	0.96	0.91	1.04
TMLX120C20MP11	UC48C	0.96	0.91	1.01
TMLX120C20MP11	UC48D	0.96	0.92	1.04
TMLX120C20MP11	UC60C	0.96	0.90	1.06
TMLX120C20MP11	UC60D	0.96	0.91	1.01
Y*(8,L)C*C16	FC/MC/PC48C	0.98	0.95	1.06
Y*(8,L)C*C16	FC/PC60C	0.99	0.96	1.05
Y*(8,L)C*C16	FC64D	1.01	1.03	1.05
Y*(8,L)C*C16	UC48C	0.99	0.97	1.05
Y*(8,L)C*C16	UC60C	0.98	0.96	1.03
Y*(8,L)C*C20	FC/MC/PC48C	0.99	0.97	1.05
Y*(8,L)C*C20	FC/MC62D	0.99	0.99	1.03
Y*(8,L)C*C20	FC/PC60C	0.99	0.97	1.04
Y*(8,L)C*C20	FC64D	1.00	1.02	1.02
Y*(8,L)C*C20	UC48C	0.99	0.97	1.05
Y*(8,L)C*C20	UC60C	0.99	0.97	1.02
Y*9C*C16	FC/MC/PC48C	0.98	0.96	1.05
Y*9C*C16	FC/PC60C	0.99	0.98	1.05
Y*9C*C16	FC64D	1.00	1.01	1.06
Y*9C*C16	UC48C	0.99	0.97	1.06
Y*9C*C16	UC60C	0.98	0.96	1.05
Y*9C*C20	FC/MC/PC48C	0.98	0.96	1.05
Y*9C*C20	FC/PC60C	0.99	0.98	1.05
Y*9C*C20	FC64D	1.00	1.02	1.06
Y*9C*C20	UC48C	0.99	0.97	1.06
Y*9C*C20	UC60C	0.98	0.96	1.05
Y*9C*D20	FC/MC/PC48D	0.99	0.97	1.06
Y*9C*D20	FC/MC/PC60D	0.99	0.98	1.05
Y*9C*D20	FC/MC62D	0.99	0.99	1.03
Y*9C*D20	FC64D	1.00	1.02	1.03
Y*9C*D20	UC48D	0.99	0.97	1.06
Y*9C*D20	UC60D	0.98	0.96	1.04

COOLING PERFORMANCE DATA - LOW CFM 1-STAGE OPERATION																
OUTDOOR UNIT MODEL NO.		YZH06011(C)														
INDOOR COIL MODEL NO.		FC/MC62D + MV20D														
AIR TEMP. ENTERING OUTDOOR UNIT (°F)	ID CFM	1125					1175					1225				
	ID DB (°F)	80	80	75	80	80	80	80	75	80	80	80	80	75	80	80
	ID WB (°F)	57	62	62	67	72	57	62	62	67	72	57	62	62	67	72
65	T.C.	39.3	42.4	42.0	46.8	51.8	40.0	42.8	42.5	47.4	52.3	40.8	43.1	43.0	48.0	52.9
	S.C.	39.3	37.5	31.6	31.8	26.2	40.0	38.4	32.3	32.4	26.6	40.8	39.3	32.9	33.0	27.0
	K.W.	2.07	2.07	2.06	2.07	2.09	2.07	2.07	2.06	2.08	2.09	2.07	2.07	2.07	2.08	2.09
75	T.C.	37.9	40.4	40.1	44.8	49.5	38.6	40.8	40.6	45.3	50.0	39.2	41.2	41.1	45.8	50.5
	S.C.	37.9	36.7	30.8	30.9	25.1	38.6	37.7	31.5	31.5	25.5	39.2	38.6	32.2	32.1	26.0
	K.W.	2.45	2.45	2.45	2.45	2.46	2.45	2.45	2.45	2.45	2.46	2.45	2.45	2.45	2.45	2.46
85	T.C.	36.5	38.5	38.3	42.7	47.3	37.1	38.9	38.8	43.1	47.7	37.7	39.3	39.2	43.6	48.2
	S.C.	36.5	36.0	30.0	30.0	24.1	37.1	36.9	30.7	30.7	24.5	37.7	37.9	31.4	31.3	24.9
	K.W.	2.84	2.83	2.84	2.83	2.83	2.84	2.83	2.83	2.83	2.83	2.83	2.83	2.83	2.83	2.83
95	T.C.	35.1	36.5	36.4	40.6	45.0	35.6	37.0	36.9	41.0	45.4	36.2	37.4	37.4	41.4	45.8
	S.C.	35.1	35.2	29.2	29.2	23.0	35.6	36.2	29.9	29.8	23.5	36.2	37.1	30.7	30.4	23.9
	K.W.	3.22	3.22	3.22	3.20	3.20	3.22	3.22	3.22	3.20	3.20	3.22	3.21	3.21	3.20	3.20
105	T.C.	33.1	33.8	33.7	37.6	42.1	33.6	34.4	34.1	38.0	42.4	34.1	34.9	34.6	38.4	42.8
	S.C.	33.1	33.4	28.0	27.9	21.8	33.6	34.3	28.8	28.6	22.3	34.1	34.9	29.5	29.3	22.7
	K.W.	3.74	3.74	3.74	3.71	3.70	3.74	3.74	3.74	3.71	3.70	3.73	3.73	3.74	3.71	3.70
115	T.C.	31.2	31.1	31.1	34.7	39.2	31.6	31.8	31.5	35.1	39.5	32.0	32.5	31.8	35.5	39.9
	S.C.	31.2	31.1	26.9	26.8	20.7	31.6	31.8	27.6	27.4	21.1	32.0	32.5	28.3	28.1	21.5
	K.W.	4.24	4.25	4.25	4.20	4.19	4.24	4.24	4.25	4.20	4.18	4.23	4.24	4.24	4.20	4.18
125	T.C.	29.2	28.5	28.5	31.8	36.3	29.6	29.3	28.8	32.2	36.6	30.0	30.1	29.1	32.5	37.0
	S.C.	29.2	28.5	25.8	25.6	19.6	29.6	29.3	26.5	26.3	20.0	30.0	30.1	27.2	27.0	20.4
	K.W.	4.75	4.75	4.75	4.69	4.67	4.74	4.75	4.75	4.69	4.67	4.73	4.74	4.75	4.69	4.67

NOTE: ALL CAPACITIES INCLUDE INDOOR FAN HEAT. KW VALUES ARE FOR THE SYSTEM (OUTDOOR + INDOOR).

Multipliers for determining the performance with other indoor sections.

NOTE: For dry bulb temperatures different than those listed (between 73-87 °F), sensible capacity increases by 1060 BTUH per 1000 CFM per degree above the listed temperature and decreases by 1060 BTUH per 1000 CFM per degree below the listed temperature.

LOW CFM

Air Handler	Coil	T.C.	S.C.	KW
-	FC/MC62	1.00	1.03	1.05
-	FC64	1.02	1.07	1.10
AHE60D	-	0.99	0.97	1.00
AHV60D	-	0.99	0.93	1.06
MV20D	FC/MC60D	0.96	0.93	1.09
MV20D	FC/MC62D	1.00	1.00	1.00
MV20D	FC64D	1.02	1.03	1.00
MX16CN21	FC60C	0.94	0.88	1.03

Continued on next page.

Furnace	Coil	T.C.	S.C.	KW
T*(8,L)C*C20	FC/MC/PC60D	0.98	0.93	1.00
T*(8,L)C*C20	FC/MC62D	0.96	0.94	1.00
T*(8,L)C*C20	FC/PC60C	0.98	0.93	1.00
T*(8,L)C*C20	FC64D	1.00	0.96	1.00
T*(8,L)C*C20	UC60C	0.96	0.91	1.00
T*(8,L)V*C20	FC/MC/PC60D	0.98	0.93	1.00
T*(8,L)V*C20	FC/MC62D	0.96	0.94	1.00
T*(8,L)V*C20	FC/PC60C	0.98	0.93	1.00
T*(8,L)V*C20	FC64D	1.00	0.96	1.00
T*(8,L)V*C20	UC60C	0.96	0.91	1.00
T*9(C,V)*C20	FC/MC/PC60D	0.98	0.93	1.01
T*9(C,V)*C20	FC/MC62D	0.96	0.94	1.01
T*9(C,V)*C20	FC/PC60C	0.98	0.95	1.01
T*9(C,V)*C20	FC64D	0.99	0.97	1.00
T*9(C,V)*C20	UC60C	0.96	0.93	1.01
T*9(C,V)*D20	FC/MC/PC60D	0.99	0.95	1.01
T*9(C,V)*D20	FC/MC62D	0.99	0.96	1.01
T*9(C,V)*D20	FC64D	1.00	0.99	1.00
T*9(C,V)*D20	UC60D	0.96	0.93	1.02
TM8X080C16MP11	FC/MC/PC60D	0.94	0.88	1.03
TM8X080C16MP11	FC/MC62D	0.96	0.90	1.02
TM8X080C16MP11	FC/PC60C	0.94	0.88	1.03
TM8X080C16MP11	FC64D	0.98	0.92	1.02
TM8X080C16MP11	UC60C	0.94	0.87	1.03
TM8X080C16MP11	UC60D	0.94	0.87	1.03
TM8X100C16MP11	FC/MC/PC60D	0.94	0.88	1.03
TM8X100C16MP11	FC/MC62D	0.96	0.90	1.02
TM8X100C16MP11	FC/PC60C	0.94	0.88	1.03
TM8X100C16MP11	FC64D	0.98	0.92	1.02
TM8X100C16MP11	UC60C	0.94	0.87	1.03
TM8X100C16MP11	UC60D	0.94	0.87	1.03
TM8X100C20MP11	FC/MC/PC60D	0.97	0.90	1.00
TM8X100C20MP11	FC/MC62D	0.97	0.92	1.02
TM8X100C20MP11	FC/PC60C	0.96	0.90	1.01
TM8X100C20MP11	UC60C	0.96	0.89	1.01
TM8X100C20MP11	UC60D	0.96	0.90	1.00
TM8X120C20MP11	FC/MC/PC60D	0.97	0.90	1.00
TM8X120C20MP11	FC/MC62D	0.97	0.92	1.02
TM8X120C20MP11	FC/PC60C	0.96	0.90	1.01
TM8X120C20MP11	UC60C	0.96	0.89	1.01
TM8X120C20MP11	UC60D	0.96	0.90	1.00
TM9E100C20MP11	FC/MC/PC60D	0.94	0.86	0.98
TM9E100C20MP11	FC/MC62D	0.94	0.88	0.98
TM9E100C20MP11	FC64D	0.97	0.90	0.98
TM9E100C20MP11	UC60D	0.93	0.85	0.99
TM9E120D20MP11	FC/MC/PC60D	0.94	0.88	0.98
TM9E120D20MP11	FC/MC62D	0.94	0.88	0.98

Furnace	Coil	T.C.	S.C.	KW
TM9E120D20MP11	FC64D	0.97	0.89	0.98
TM9E120D20MP11	UC60D	0.94	0.87	0.99
TM9X100C20MP11	FC/MC/PC60D	0.94	0.86	0.98
TM9X100C20MP11	FC/MC62D	0.94	0.88	0.98
TM9X100C20MP11	FC64D	0.97	0.90	0.98
TM9X100C20MP11	UC60D	0.93	0.85	0.99
TM9X120D20MP11	FC/MC/PC60D	0.94	0.88	0.98
TM9X120D20MP11	FC/MC62D	0.94	0.88	0.98
TM9X120D20MP11	FC64D	0.97	0.89	0.98
TM9X120D20MP11	UC60D	0.94	0.87	0.99
TMLX080C16MP11	FC/MC/PC60D	0.94	0.88	1.03
TMLX080C16MP11	FC/MC62D	0.96	0.90	1.02
TMLX080C16MP11	FC/PC60C	0.94	0.88	1.03
TMLX080C16MP11	FC64D	0.98	0.92	1.02
TMLX080C16MP11	UC60C	0.94	0.87	1.03
TMLX080C16MP11	UC60D	0.94	0.87	1.03
TMLX100C16MP11	FC/MC/PC60D	0.94	0.88	1.03
TMLX100C16MP11	FC/MC62D	0.96	0.90	1.02
TMLX100C16MP11	FC/PC60C	0.94	0.88	1.03
TMLX100C16MP11	FC64D	0.98	0.92	1.02
TMLX100C16MP11	UC60C	0.94	0.87	1.03
TMLX100C16MP11	UC60D	0.94	0.87	1.03
TMLX100C20MP11	FC/MC/PC60D	0.97	0.90	1.00
TMLX100C20MP11	FC/MC62D	0.97	0.92	1.02
TMLX100C20MP11	FC/PC60C	0.96	0.90	1.01
TMLX100C20MP11	UC60C	0.96	0.89	1.01
TMLX100C20MP11	UC60D	0.96	0.90	1.00
TMLX120C20MP11	FC/MC/PC60D	0.97	0.90	1.00
TMLX120C20MP11	FC/MC62D	0.97	0.92	1.02
TMLX120C20MP11	FC/PC60C	0.96	0.90	1.01
TMLX120C20MP11	UC60C	0.96	0.89	1.01
TMLX120C20MP11	UC60D	0.96	0.90	1.00
Y*(8,L)C*C20	FC/MC/PC60D	0.98	0.93	1.00
Y*(8,L)C*C20	FC/MC62D	0.96	0.94	1.00
Y*(8,L)C*C20	FC/PC60C	0.98	0.93	1.00
Y*(8,L)C*C20	FC64D	1.00	0.96	1.00
Y*(8,L)C*C20	UC60C	0.96	0.91	1.00
Y*9C*C20	FC/MC/PC60D	0.98	0.93	1.01
Y*9C*C20	FC/MC62D	0.96	0.94	1.01
Y*9C*C20	FC/PC60C	0.98	0.95	1.01
Y*9C*C20	FC64D	0.99	0.97	1.00
Y*9C*C20	UC60C	0.96	0.93	1.01
Y*9C*D20	FC/MC/PC60D	0.99	0.95	1.01
Y*9C*D20	FC/MC62D	0.99	0.96	1.01
Y*9C*D20	FC64D	1.00	0.99	1.00
Y*9C*D20	UC60D	0.96	0.93	1.02

COOLING PERFORMANCE DATA - HIGH CFM 2-STAGE OPERATION																
OUTDOOR UNIT MODEL NO.		YZH06011(C)														
INDOOR COIL MODEL NO.		FC/MC62D + MV20D														
AIR TEMP. ENTERING OUTDOOR UNIT (°F)	ID CFM	1725					1825					1925				
	ID DB (°F)	80	80	75	80	80	80	80	75	80	80	80	80	75	80	80
	ID WB (°F)	57	62	62	67	72	57	62	62	67	72	57	62	62	67	72
65	T.C.	56.3	59.3	59.5	64.1	71.5	57.3	60.0	60.1	64.8	71.9	58.3	60.7	60.7	65.4	72.3
	S.C.	56.3	54.3	46.0	45.3	37.8	57.3	55.9	47.2	46.6	38.3	58.3	57.5	48.4	47.8	38.8
	K.W.	3.07	3.12	3.13	3.26	3.38	3.09	3.14	3.14	3.27	3.39	3.11	3.16	3.16	3.29	3.40
75	T.C.	54.4	56.7	56.8	61.6	68.2	55.3	57.4	57.4	62.2	68.6	56.3	58.0	58.0	62.8	69.0
	S.C.	54.4	53.1	44.7	44.2	36.2	55.3	54.7	45.9	45.4	36.7	56.3	56.2	47.1	46.6	37.3
	K.W.	3.59	3.64	3.65	3.78	3.90	3.62	3.66	3.66	3.79	3.92	3.64	3.68	3.68	3.81	3.93
85	T.C.	52.4	54.1	54.2	59.0	65.0	53.3	54.7	54.8	59.6	65.4	54.2	55.3	55.3	60.1	65.8
	S.C.	52.4	51.8	43.4	43.1	34.6	53.3	53.4	44.6	44.2	35.2	54.2	55.0	45.8	45.3	35.8
	K.W.	4.12	4.15	4.16	4.30	4.43	4.14	4.17	4.18	4.31	4.44	4.17	4.20	4.19	4.32	4.46
95	T.C.	50.4	51.5	51.6	56.5	61.8	51.3	52.0	52.1	57.0	62.2	52.2	52.5	52.6	57.5	62.6
	S.C.	50.4	50.6	42.2	41.9	33.0	51.3	52.0	43.3	43.0	33.6	52.2	52.5	44.4	44.1	34.3
	K.W.	4.65	4.67	4.68	4.82	4.96	4.67	4.69	4.70	4.83	4.97	4.70	4.71	4.71	4.84	4.99
105	T.C.	47.8	48.1	48.2	52.9	58.2	48.6	48.9	48.7	53.2	58.6	49.4	49.6	49.1	53.6	58.9
	S.C.	47.8	48.1	40.5	40.3	31.5	48.6	48.9	41.7	41.3	32.1	49.4	49.6	42.8	42.4	32.7
	K.W.	5.29	5.29	5.30	5.42	5.53	5.31	5.32	5.31	5.43	5.55	5.34	5.34	5.33	5.43	5.56
115	T.C.	45.3	44.9	45.0	49.3	54.7	46.0	45.8	45.4	49.6	55.0	46.7	46.8	45.7	49.9	55.3
	S.C.	45.3	44.9	39.0	38.7	30.0	46.0	45.8	40.1	39.7	30.6	46.7	46.8	41.2	40.8	31.2
	K.W.	5.91	5.89	5.90	6.00	6.09	5.93	5.92	5.92	6.01	6.11	5.95	5.96	5.93	6.01	6.12
125	T.C.	42.8	41.6	41.8	45.8	51.2	43.4	42.8	42.0	46.0	51.5	44.0	44.0	42.3	46.1	51.8
	S.C.	42.8	41.6	37.4	37.0	28.5	43.4	42.8	38.5	38.1	29.1	44.0	44.0	39.6	39.1	29.7
	K.W.	6.53	6.49	6.50	6.58	6.65	6.55	6.53	6.52	6.58	6.66	6.57	6.57	6.53	6.59	6.67

NOTE: ALL CAPACITIES INCLUDE INDOOR FAN HEAT. KW VALUES ARE FOR THE SYSTEM (OUTDOOR + INDOOR).

Multipliers for determining the performance with other indoor sections.

NOTE: For dry bulb temperatures different than those listed (between 73-87 °F), sensible capacity increases by 1060 BTUH per 1000 CFM per degree above the listed temperature and decreases by 1060 BTUH per 1000 CFM per degree below the listed temperature.

HIGH CFM

Air Handler	Coil	T.C.	S.C.	KW
–	FC/MC62	0.98	0.98	1.04
–	FC64	1.00	1.00	1.04
AHE60D	–	0.99	0.97	1.00
AHV60D	–	1.00	0.94	1.00
MV20D	FC/MC60D	1.00	0.98	1.04
MV20D	FC/MC62D	1.00	1.00	1.00
MV20D	FC64D	1.02	1.03	1.02
MX16CN21	FC60C	0.95	0.87	1.04

Continued on next page.

Furnace	Coil	T.C.	S.C.	KW
T*(8,L)C*C20	FC/MC/PC60D	0.97	0.93	0.99
T*(8,L)C*C20	FC/MC62D	0.98	0.94	0.99
T*(8,L)C*C20	FC/PC60C	0.96	0.93	1.01
T*(8,L)C*C20	FC64D	1.00	0.98	1.03
T*(8,L)C*C20	UC60C	0.96	0.92	0.99
T*(8,L)V*C20	FC/MC/PC60D	0.97	0.93	0.99
T*(8,L)V*C20	FC/MC62D	0.98	0.94	1.03
T*(8,L)V*C20	FC/PC60C	0.97	0.93	1.00
T*(8,L)V*C20	FC64D	1.00	0.98	1.03
T*(8,L)V*C20	UC60C	0.96	0.92	0.99
T*9(C,V)*C20	FC/MC/PC60D	0.96	0.93	1.01
T*9(C,V)*C20	FC/MC62D	0.97	0.94	1.01
T*9(C,V)*C20	FC/PC60C	0.96	0.93	1.01
T*9(C,V)*C20	FC64D	0.99	0.98	1.02
T*9(C,V)*C20	UC60C	0.96	0.91	1.01
T*9(C,V)*D20	FC/MC/PC60D	0.96	0.93	1.00
T*9(C,V)*D20	FC/MC62D	0.97	0.94	1.00
T*9(C,V)*D20	FC64D	1.00	0.98	1.02
T*9(C,V)*D20	UC60D	0.96	0.91	1.00
TM8X080C16MP11	FC/MC/PC60D	0.94	0.87	1.05
TM8X080C16MP11	FC/MC62D	0.96	0.89	1.05
TM8X080C16MP11	FC/PC60C	0.94	0.87	1.05
TM8X080C16MP11	FC64D	0.97	0.91	1.04
TM8X080C16MP11	UC60C	0.93	0.86	1.04
TM8X080C16MP11	UC60D	0.94	0.86	1.05
TM8X100C16MP11	FC/MC/PC60D	0.94	0.87	1.05
TM8X100C16MP11	FC/MC62D	0.96	0.89	1.05
TM8X100C16MP11	FC/PC60C	0.94	0.87	1.05
TM8X100C16MP11	FC64D	0.97	0.91	1.04
TM8X100C16MP11	UC60C	0.93	0.86	1.04
TM8X100C16MP11	UC60D	0.94	0.86	1.05
TM8X100C20MP11	FC/MC/PC60D	0.96	0.89	1.00
TM8X100C20MP11	FC/MC62D	0.96	0.90	0.99
TM8X100C20MP11	FC/PC60C	0.96	0.88	1.00
TM8X100C20MP11	UC60C	0.94	0.87	0.99
TM8X100C20MP11	UC60D	0.95	0.88	1.00
TM8X120C20MP11	FC/MC/PC60D	0.96	0.89	1.00
TM8X120C20MP11	FC/MC62D	0.96	0.90	0.99
TM8X120C20MP11	FC/PC60C	0.96	0.88	1.00
TM8X120C20MP11	UC60C	0.94	0.87	0.99
TM8X120C20MP11	UC60D	0.95	0.88	1.00
TM9E100C20MP11	FC/MC/PC60D	0.94	0.87	1.00
TM9E100C20MP11	FC/MC62D	0.96	0.89	1.01
TM9E100C20MP11	FC64D	0.97	0.91	1.01
TM9E100C20MP11	UC60D	0.93	0.86	1.00
TM9E120D20MP11	FC/MC/PC60D	0.95	0.87	1.00
TM9E120D20MP11	FC/MC62D	0.96	0.90	1.00

Furnace	Coil	T.C.	S.C.	KW
TM9E120D20MP11	FC64D	0.97	0.91	1.01
TM9E120D20MP11	UC60D	0.94	0.86	1.00
TM9X100C20MP11	FC/MC/PC60D	0.94	0.87	1.00
TM9X100C20MP11	FC/MC62D	0.96	0.89	1.01
TM9X100C20MP11	FC64D	0.97	0.91	1.01
TM9X100C20MP11	UC60D	0.93	0.86	1.00
TM9X120D20MP11	FC/MC/PC60D	0.95	0.87	1.00
TM9X120D20MP11	FC/MC62D	0.96	0.90	1.00
TM9X120D20MP11	FC64D	0.97	0.91	1.01
TM9X120D20MP11	UC60D	0.94	0.86	1.00
TMLX080C16MP11	FC/MC/PC60D	0.94	0.87	1.05
TMLX080C16MP11	FC/MC62D	0.96	0.89	1.05
TMLX080C16MP11	FC/PC60C	0.94	0.87	1.05
TMLX080C16MP11	FC64D	0.97	0.91	1.04
TMLX080C16MP11	UC60C	0.93	0.86	1.04
TMLX080C16MP11	UC60D	0.94	0.86	1.05
TMLX100C16MP11	FC/MC/PC60D	0.94	0.87	1.05
TMLX100C16MP11	FC/MC62D	0.96	0.89	1.05
TMLX100C16MP11	FC/PC60C	0.94	0.87	1.05
TMLX100C16MP11	FC64D	0.97	0.91	1.04
TMLX100C16MP11	UC60C	0.93	0.86	1.04
TMLX100C16MP11	UC60D	0.94	0.86	1.05
TMLX100C20MP11	FC/MC/PC60D	0.96	0.89	1.00
TMLX100C20MP11	FC/MC62D	0.96	0.90	0.99
TMLX100C20MP11	FC/PC60C	0.96	0.88	1.00
TMLX100C20MP11	UC60C	0.94	0.87	0.99
TMLX100C20MP11	UC60D	0.95	0.88	1.00
TMLX120C20MP11	FC/MC/PC60D	0.96	0.89	1.00
TMLX120C20MP11	FC/MC62D	0.96	0.90	0.99
TMLX120C20MP11	FC/PC60C	0.96	0.88	1.00
TMLX120C20MP11	UC60C	0.94	0.87	0.99
TMLX120C20MP11	UC60D	0.95	0.88	1.00
Y*(8,L)C*C20	FC/MC/PC60D	0.97	0.93	0.99
Y*(8,L)C*C20	FC/MC62D	0.98	0.94	1.03
Y*(8,L)C*C20	FC/PC60C	0.96	0.93	1.01
Y*(8,L)C*C20	FC64D	1.00	0.98	1.03
Y*(8,L)C*C20	UC60C	0.96	0.92	0.99
Y*9C*C20	FC/MC/PC60D	0.96	0.93	1.01
Y*9C*C20	FC/MC62D	0.97	0.94	1.00
Y*9C*C20	FC/PC60C	0.96	0.93	1.01
Y*9C*C20	FC64D	0.99	0.98	1.02
Y*9C*C20	UC60C	0.96	0.91	1.01
Y*9C*D20	FC/MC/PC60D	0.96	0.93	1.00
Y*9C*D20	FC/MC62D	0.97	0.94	1.00
Y*9C*D20	FC64D	1.00	0.98	1.02
Y*9C*D20	UC60D	0.96	0.91	1.00

HEATING PERFORMANCE DATA - LOW CFM 1-STAGE OPERATION										
CONDENSING UNIT MODEL NO.		YZH02411(C)								
EVAPORATOR COIL MODEL NO.		FC/MC48D + MV12D								
AIR TEMP. ENTERING OUTDOOR UNIT (°F)	AIR TEMP. ENTERING INDOOR COIL (°F)	ID CFM								
		600			650			700		
		MBH	COP	KW	MBH	COP	KW	MBH	COP	KW
60	60	24.2	5.08	1.40	24.3	5.26	1.35	24.5	5.44	1.32
	70	23.8	4.46	1.56	23.9	4.62	1.52	24.0	4.78	1.47
	80	23.4	3.96	1.73	23.5	4.10	1.68	23.5	4.24	1.62
47	60	19.7	4.42	1.31	19.7	4.54	1.27	19.7	4.66	1.24
	70	19.2	3.90	1.44	19.3	4.00	1.41	19.4	4.10	1.39
	80	18.8	3.48	1.58	18.9	3.56	1.56	19.0	3.66	1.52
40	60	17.1	4.04	1.24	17.1	4.14	1.21	17.1	4.24	1.18
	70	16.8	3.58	1.38	16.9	3.66	1.35	16.9	3.74	1.32
	80	16.6	3.18	1.53	16.7	3.26	1.50	16.8	3.34	1.47
30	60	13.9	3.46	1.18	14.0	3.54	1.16	14.0	3.62	1.13
	70	13.9	3.08	1.32	13.9	3.14	1.30	14.0	3.20	1.28
	80	13.9	2.76	1.48	13.9	2.82	1.44	13.9	2.86	1.42
17	60	10.5	2.76	1.11	10.9	2.84	1.12	11.3	2.94	1.13
	70	10.4	2.42	1.26	10.6	2.48	1.25	10.8	2.54	1.25
	80	10.2	2.16	1.38	10.3	2.20	1.37	10.3	2.22	1.36
10	60	9.0	2.26	1.17	9.0	2.30	1.15	9.0	2.34	1.13
	70	8.5	2.06	1.21	8.5	2.10	1.19	8.6	2.12	1.19
	80	8.0	1.86	1.26	8.1	1.90	1.25	8.2	1.94	1.24

NOTE: ALL CAPACITIES ARE NET, WITH INDOOR FAN HEAT ALREADY DEDUCTED. KW VALUES ARE FOR THE SYSTEM (OUTDOOR + INDOOR).

Multipliers for determining the performance with other indoor section.

LOW CFM

Air Handler	Coil	MBH	COP	KW
-	FC/MC/PC48	0.99	0.75	1.34
AHV24B	-	0.97	0.91	1.06
AHV30B	-	0.98	0.93	1.06
AHV36C	-	0.99	0.94	1.06
MV12B	FC/MC43B	1.00	1.00	1.00
MV12D	FC/MC48D	1.00	1.00	1.00
MV12D	FC/MC60D	1.00	1.00	1.00

Furnace	Coil	MBH	COP	KW
T*(8,L)C*A12	FC/MC/PC37A	0.99	0.96	1.04
T*(8,L)C*B12	FC/MC/PC43B	0.97	0.92	1.06
T*(8,L)C*C16	FC/MC/PC43C	0.93	1.00	0.93
T*(8,L)V*A12	FC/MC/PC37A	0.99	0.96	1.04
T*(8,L)V*B12	FC/MC/PC43B	0.97	0.92	1.06
T*(8,L)V*C16	FC/MC/PC43C	0.93	1.00	0.93
T*9(C,V)*B12	FC/MC/PC43B	0.98	0.94	1.05
T*9V*A10	FC/MC/PC37A	1.00	0.94	1.07
TM8X080C16MP11	FC/MC/PC43C	0.88	0.96	0.92
TM8X080C16MP11	FC/MC/PC48C	0.93	0.93	1.01
TM8X080C16MP11	FC/PC60C	0.93	0.91	1.02

Furnace	Coil	MBH	COP	KW
TM8X080C16MP11	UC48C	0.93	0.98	0.95
TM8X080C16MP11	UC60C	0.91	0.87	1.05
TM8X100C16MP11	FC/MC/PC43C	0.88	0.96	0.92
TM8X100C16MP11	FC/MC/PC48C	0.93	0.93	1.01
TM8X100C16MP11	FC/PC60C	0.93	0.91	1.02
TM8X100C16MP11	UC48C	0.93	0.97	0.96
TM8X100C16MP11	UC60C	0.91	0.87	1.05
TMLX080C16MP11	FC/MC/PC43C	0.88	0.96	0.92
TMLX080C16MP11	FC/MC/PC48C	0.93	0.93	1.01
TMLX080C16MP11	FC/PC60C	0.93	0.91	1.02
TMLX080C16MP11	UC48C	0.93	0.98	0.95
TMLX080C16MP11	UC60C	0.91	0.87	1.05
TMLX100C16MP11	FC/MC/PC43C	0.88	0.96	0.92
TMLX100C16MP11	FC/MC/PC48C	0.93	0.93	1.01
TMLX100C16MP11	FC/PC60C	0.93	0.91	1.02
TMLX100C16MP11	UC48C	0.93	0.97	0.96
TMLX100C16MP11	UC60C	0.91	0.87	1.05
Y*(8,L)C*A12	FC/MC/PC37A	0.99	0.96	1.04
Y*(8,L)C*B12	FC/MC/PC43B	0.97	0.92	1.06
Y*(8,L)C*C16	FC/MC/PC43C	0.93	1.00	0.93
Y*9C*B12	FC/MC/PC43B	0.98	0.94	1.05

HEATING PERFORMANCE DATA - HIGH CFM 2-STAGE OPERATION										
OUTDOOR UNIT MODEL NO.		YZH02411(C)								
INDOOR COIL MODEL NO.		FC/MC48D + MV12D								
AIR TEMP. ENTERING OUTDOOR UNIT (°F)	AIR TEMP. ENTERING INDOOR COIL (°F)	ID CFM								
		750			850			950		
		MBH	COP	KW	MBH	COP	KW	MBH	COP	KW
60	60	28.5	4.74	1.76	28.9	4.98	1.70	29.3	5.20	1.65
	70	27.9	4.28	1.91	28.3	4.46	1.86	28.8	4.66	1.81
	80	27.3	3.88	2.06	27.8	4.04	2.02	28.3	4.22	1.97
47	60	24.2	4.28	1.66	24.4	4.46	1.60	24.6	4.66	1.55
	70	23.8	3.86	1.81	24.0	4.00	1.76	24.2	4.16	1.70
	80	23.4	3.48	1.97	23.6	3.62	1.91	23.8	3.74	1.87
40	60	22.0	4.02	1.60	22.1	4.16	1.56	22.3	4.30	1.52
	70	21.6	3.62	1.75	21.8	3.74	1.71	21.9	3.86	1.66
	80	21.2	3.28	1.89	21.4	3.38	1.86	21.6	3.50	1.81
30	60	18.7	3.62	1.51	18.8	3.74	1.47	19.0	3.86	1.44
	70	18.6	3.26	1.67	18.7	3.36	1.63	18.8	3.46	1.59
	80	18.4	2.96	1.82	18.5	3.04	1.78	18.6	3.14	1.74
17	60	15.0	3.10	1.42	15.1	3.20	1.38	15.2	3.28	1.36
	70	15.0	2.82	1.56	15.0	2.88	1.53	15.1	2.96	1.50
	80	14.9	2.56	1.71	15.0	2.62	1.68	15.0	2.68	1.64
10	60	13.3	2.86	1.36	13.3	2.92	1.33	13.3	2.98	1.31
	70	13.3	2.58	1.51	13.3	2.64	1.48	13.4	2.70	1.45
	80	13.2	2.36	1.64	13.3	2.42	1.61	13.4	2.46	1.60

NOTE: ALL CAPACITIES ARE NET, WITH INDOOR FAN HEAT ALREADY DEDUCTED. KW VALUES ARE FOR THE SYSTEM (OUTDOOR + INDOOR).

Multipliers for determining the performance with other indoor section.

HIGH CFM

Air Handler	Coil	MBH	COP	KW
-	FC/MC/PC48	1.00	0.92	1.09
AHV24B	-	1.00	0.95	1.06
AHV30B	-	1.00	0.97	1.03
AHV36C	-	1.00	1.00	1.00
MV12B	FC/MC43B	1.00	1.00	1.00
MV12D	FC/MC48D	1.00	1.00	1.00
MV12D	FC/MC60D	1.00	1.00	1.00

Furnace	Coil	MBH	COP	KW
TM8X080C16MP11	UC48C	1.00	0.98	1.03
TM8X080C16MP11	UC60C	1.00	0.87	1.15
TM8X100C16MP11	FC/MC/PC43C	0.95	0.96	0.99
TM8X100C16MP11	FC/MC/PC48C	1.00	0.93	1.08
TM8X100C16MP11	FC/PC60C	1.00	0.91	1.10
TM8X100C16MP11	UC48C	1.00	0.97	1.03
TM8X100C16MP11	UC60C	1.00	0.87	1.15
TMLX080C16MP11	FC/MC/PC43C	0.95	0.96	0.99
TMLX080C16MP11	FC/MC/PC48C	1.00	0.93	1.08
TMLX080C16MP11	FC/PC60C	1.00	0.91	1.10
TMLX080C16MP11	UC48C	1.00	0.98	1.03
TMLX080C16MP11	UC60C	1.00	0.87	1.15
TMLX100C16MP11	FC/MC/PC43C	0.95	0.96	0.99
TMLX100C16MP11	FC/MC/PC48C	1.00	0.93	1.08
TMLX100C16MP11	FC/PC60C	1.00	0.91	1.10
TMLX100C16MP11	UC48C	1.00	0.97	1.03
TMLX100C16MP11	UC60C	1.00	0.87	1.15
Y*(8,L)C*A12	FC/MC/PC37A	1.01	0.96	1.05
Y*(8,L)C*B12	FC/MC/PC43B	1.00	0.96	1.04
Y*(8,L)C*C16	FC/MC/PC43C	1.00	1.00	1.00
Y*9C*B12	FC/MC/PC43B	1.00	0.97	1.04

Furnace	Coil	MBH	COP	KW
T*(8,L)C*A12	FC/MC/PC37A	1.01	0.96	1.05
T*(8,L)C*B12	FC/MC/PC43B	1.00	0.96	1.04
T*(8,L)C*C16	FC/MC/PC43C	1.00	1.00	1.00
T*(8,L)V*A12	FC/MC/PC37A	1.01	0.96	1.05
T*(8,L)V*B12	FC/MC/PC43B	1.00	0.96	1.04
T*(8,L)V*C16	FC/MC/PC43C	1.00	1.00	1.00
T*9(C,V)*B12	FC/MC/PC43B	1.00	0.97	1.04
T*9V*A10	FC/MC/PC37A	1.02	0.94	1.08
TM8X080C16MP11	FC/MC/PC43C	0.95	0.96	0.99
TM8X080C16MP11	FC/MC/PC48C	1.00	0.93	1.08
TM8X080C16MP11	FC/PC60C	1.00	0.91	1.10

HEATING PERFORMANCE DATA - LOW CFM 1-STAGE OPERATION										
OUTDOOR UNIT MODEL NO.		YZH03611(C)								
INDOOR COIL MODEL NO.		FC/MC62D + MV12D								
AIR TEMP. ENTERING OUTDOOR UNIT (°F)	AIR TEMP. ENTERING INDOOR COIL (°F)	ID CFM								
		800			850			900		
		MBH	COP	KW	MBH	COP	KW	MBH	COP	KW
60	60	35.5	5.70	1.83	35.9	5.90	1.78	36.3	6.10	1.74
	70	35.0	4.88	2.10	35.3	5.04	2.05	35.5	5.22	1.99
	80	34.4	4.24	2.38	34.6	4.38	2.32	34.8	4.54	2.25
47	60	26.8	4.76	1.65	26.9	4.90	1.61	27.0	5.06	1.56
	70	26.3	4.08	1.89	26.4	4.20	1.84	26.5	4.32	1.80
	80	25.9	3.56	2.13	25.9	3.66	2.07	25.9	3.76	2.02
40	60	22.1	4.18	1.55	22.3	4.30	1.52	22.4	4.42	1.49
	70	21.9	3.60	1.78	22.0	3.68	1.75	22.1	3.78	1.71
	80	21.6	3.14	2.02	21.7	3.22	1.98	21.8	3.30	1.94
30	60	16.0	3.24	1.45	16.0	3.32	1.41	16.1	3.40	1.39
	70	15.9	2.82	1.65	16.0	2.90	1.62	16.0	2.96	1.58
	80	15.9	2.52	1.85	15.9	2.56	1.82	16.0	2.62	1.79
17	60	8.7	1.94	1.31	8.7	1.98	1.29	8.8	2.04	1.26
	70	8.9	1.74	1.50	9.2	1.80	1.50	9.4	1.88	1.47
	80	9.2	1.56	1.73	9.6	1.66	1.69	10.0	1.76	1.67
10	60	6.0	1.36	1.29	6.8	1.56	1.28	7.6	1.76	1.27
	70	7.4	1.44	1.51	8.0	1.58	1.48	8.6	1.72	1.47
	80	8.7	1.50	1.70	9.1	1.60	1.67	9.5	1.70	1.64

NOTE: ALL CAPACITIES ARE NET, WITH INDOOR FAN HEAT ALREADY DEDUCTED. KW VALUES ARE FOR THE SYSTEM (OUTDOOR + INDOOR).

Multipliers for determining the performance with other indoor sections.

LOW CFM

Air Handler	Coil	MBH	COP	KW
-	FC/MC62	0.93	0.83	1.12
-	FC64	1.06	0.96	1.10
AHE42D	-	1.01	0.97	1.04
AHV36C	-	1.01	0.95	1.06
AHV42D	-	1.02	0.96	1.06
AHV48D	-	1.03	0.98	1.06
MV12D	FC/MC48D	1.00	1.00	1.00
MV12D	FC/MC60D	1.00	1.00	1.00
MV12D	FC/MC62D	1.00	1.00	1.00
MV12D	FC64D	1.02	1.02	1.00
MV16C	FC/MC43C	1.00	1.00	1.00
MV16C	FC/MC48C	1.00	1.00	1.00
MX12BN21	FC/MC43B	0.90	0.89	1.01
MX12DN21	FC/MC48D	0.90	0.97	0.93
MX12DN21	FC/MC60D	0.90	0.95	0.95
MX12DN21	FC64D	0.91	0.99	0.92

Furnace	Coil	MBH	COP	KW
T*(8,L)C*A12	FC/MC/PC37A	0.98	0.88	1.12
T*(8,L)C*B12	FC/MC/PC43B	0.99	0.92	1.07
T*(8,L)C*C16	FC/MC/PC43C	1.00	0.95	1.05
T*(8,L)C*C16	FC/MC/PC48C	1.02	0.90	1.12
T*(8,L)C*C16	FC/PC60C	1.02	0.91	1.12
T*(8,L)C*C16	UC48C	1.02	1.01	1.01
T*(8,L)C*C16	UC60C	1.00	0.99	1.01
T*(8,L)C*C20	FC/MC/PC43C	0.99	0.93	1.06
T*(8,L)C*C20	FC/MC/PC48C	1.01	0.88	1.15
T*(8,L)C*C20	FC/PC60C	1.02	0.91	1.12
T*(8,L)C*C20	UC48C	1.01	0.98	1.03
T*(8,L)C*C20	UC60C	1.00	0.99	1.01
T*(8,L)V*A12	FC/MC/PC37A	0.98	0.88	1.12
T*(8,L)V*B12	FC/MC/PC43B	0.99	0.92	1.07
T*(8,L)V*C16	FC/MC/PC43C	1.00	0.95	1.05
T*(8,L)V*C16	FC/MC/PC48C	1.02	0.90	1.12
T*(8,L)V*C16	FC/PC60C	1.02	0.91	1.12
T*(8,L)V*C16	UC48C	1.02	1.01	1.01
T*(8,L)V*C16	UC60C	1.00	0.99	1.01
T*(8,L)V*C20	FC/MC/PC43C	0.99	0.93	1.06
T*(8,L)V*C20	FC/MC/PC48C	1.01	0.88	1.15
T*(8,L)V*C20	FC/PC60C	1.02	0.91	1.12
T*(8,L)V*C20	UC48C	1.01	0.98	1.03
T*(8,L)V*C20	UC60C	1.00	0.99	1.01
T*9(C,V)*B12	FC/MC/PC43B	1.01	0.94	1.07
T*9(C,V)*C16	FC/MC/PC43C	1.02	0.90	1.12

Continued on next page.

Furnace	Coil	MBH	COP	KW
T*9(C,V)*C16	FC/MC/PC48C	1.03	0.90	1.14
T*9(C,V)*C16	FC/PC60C	1.03	0.90	1.14
T*9(C,V)*C16	UC48C	1.02	1.00	1.01
T*9(C,V)*C16	UC60C	1.01	0.98	1.03
T*9(C,V)*C20	FC/MC/PC43C	1.01	0.88	1.15
T*9(C,V)*C20	FC/MC/PC48C	1.02	0.89	1.15
T*9(C,V)*C20	FC/PC60C	1.02	0.90	1.12
T*9(C,V)*C20	UC48C	1.02	0.98	1.04
T*9(C,V)*C20	UC60C	1.00	0.97	1.03
T*9(C,V)*D20	FC/MC/PC60D	1.02	0.92	1.11
T*9(C,V)*D20	FC/MC62D	1.00	0.98	1.02
T*9(C,V)*D20	FC64D	1.02	1.02	1.00
T*9(C,V)*D20	UC60D	1.01	0.99	1.02
TM8X060A12MP11	FC/MC/PC37A	0.91	0.90	1.00
TM8X080B12MP11	FC/MC/PC43B	0.91	0.91	0.99
TM8X080C16MP11	FC/MC/PC43C	0.89	0.93	0.96
TM8X080C16MP11	FC/MC/PC48C	0.89	0.94	0.95
TM8X080C16MP11	FC/MC/PC48D	0.91	0.93	0.97
TM8X080C16MP11	FC/MC/PC60D	0.91	0.90	1.01
TM8X080C16MP11	FC/MC62D	0.90	0.89	1.01
TM8X080C16MP11	FC/PC60C	0.89	0.92	0.97
TM8X080C16MP11	FC64D	0.91	0.96	0.95
TM8X080C16MP11	UC48C	0.91	0.99	0.92
TM8X080C16MP11	UC48D	0.91	0.95	0.96
TM8X080C16MP11	UC60C	0.88	0.90	0.98
TM8X080C16MP11	UC60D	0.88	0.87	1.02
TM8X100C16MP11	FC/MC/PC43C	0.89	0.93	0.96
TM8X100C16MP11	FC/MC/PC48C	0.89	0.94	0.95
TM8X100C16MP11	FC/MC/PC48D	0.91	0.93	0.97
TM8X100C16MP11	FC/MC/PC60D	0.91	0.90	1.01
TM8X100C16MP11	FC/MC62D	0.90	0.89	1.01
TM8X100C16MP11	FC/PC60C	0.89	0.92	0.97
TM8X100C16MP11	FC64D	0.91	0.96	0.95
TM8X100C16MP11	UC48C	0.91	0.99	0.92
TM8X100C16MP11	UC48D	0.91	0.95	0.96
TM8X100C16MP11	UC60C	0.88	0.90	0.98
TM8X100C16MP11	UC60D	0.88	0.87	1.02
TM9E060B12MP11	FC/MC/PC43B	0.91	0.90	1.01
TM9E080B12MP11	FC/MC/PC43B	0.91	0.90	1.01
TM9E080C16MP11	FC/MC/PC48D	0.91	0.90	1.01
TM9E080C16MP11	FC/MC62D	0.90	0.90	1.01
TM9E080C16MP11	FC64D	0.92	0.95	0.97
TM9E080C16MP11	UC48D	0.91	0.95	0.96
TM9E100C16MP11	FC/MC/PC48D	0.91	0.90	1.01
TM9E100C16MP11	FC/MC62D	0.90	0.89	1.01
TM9E100C16MP11	FC64D	0.92	0.95	0.97
TM9E100C16MP11	UC48D	0.91	0.95	0.96
TM9X060B12MP11	FC/MC/PC43B	0.91	0.90	1.01
TM9X080B12MP11	FC/MC/PC43B	0.91	0.90	1.01
TM9X080C16MP11	FC/MC/PC48D	0.91	0.90	1.01
TM9X080C16MP11	FC/MC62D	0.90	0.90	1.01
TM9X080C16MP11	FC64D	0.92	0.95	0.97
TM9X080C16MP11	UC48D	0.91	0.95	0.96
TM9X100C16MP11	FC/MC/PC48D	0.91	0.90	1.01
TM9X100C16MP11	FC/MC62D	0.90	0.89	1.01

Furnace	Coil	MBH	COP	KW
TM9X100C16MP11	FC64D	0.92	0.95	0.97
TM9X100C16MP11	UC48D	0.91	0.95	0.96
TMLX060A12MP11	FC/MC/PC37A	0.91	0.90	1.00
TMLX080B12MP11	FC/MC/PC43B	0.91	0.91	0.99
TMLX080C16MP11	FC/MC/PC43C	0.89	0.93	0.96
TMLX080C16MP11	FC/MC/PC48C	0.89	0.94	0.95
TMLX080C16MP11	FC/MC/PC48D	0.91	0.93	0.97
TMLX080C16MP11	FC/MC/PC60D	0.91	0.90	1.01
TMLX080C16MP11	FC/MC62D	0.90	0.89	1.01
TMLX080C16MP11	FC/PC60C	0.89	0.92	0.97
TMLX080C16MP11	FC64D	0.91	0.96	0.95
TMLX080C16MP11	UC48C	0.91	0.99	0.92
TMLX080C16MP11	UC48D	0.91	0.95	0.96
TMLX080C16MP11	UC60C	0.88	0.90	0.98
TMLX080C16MP11	UC60D	0.88	0.87	1.02
TMLX100C16MP11	FC/MC/PC43C	0.89	0.93	0.96
TMLX100C16MP11	FC/MC/PC48C	0.89	0.94	0.95
TMLX100C16MP11	FC/MC/PC48D	0.91	0.93	0.97
TMLX100C16MP11	FC/MC/PC60D	0.91	0.90	1.01
TMLX100C16MP11	FC/MC62D	0.90	0.89	1.01
TMLX100C16MP11	FC/PC60C	0.89	0.92	0.97
TMLX100C16MP11	FC64D	0.91	0.96	0.95
TMLX100C16MP11	UC48C	0.91	0.99	0.92
TMLX100C16MP11	UC48D	0.91	0.95	0.96
TMLX100C16MP11	UC60C	0.88	0.90	0.98
TMLX100C16MP11	UC60D	0.88	0.87	1.02
Y*(8,L)*C*A12	FC/MC/PC37A	0.98	0.88	1.12
Y*(8,L)*C*B12	FC/MC/PC43B	0.99	0.92	1.07
Y*(8,L)*C*C16	FC/MC/PC43C	1.00	0.95	1.05
Y*(8,L)*C*C16	FC/MC/PC48C	1.02	0.90	1.12
Y*(8,L)*C*C16	FC/PC60C	1.02	0.91	1.12
Y*(8,L)*C*C16	UC48C	1.02	1.01	1.01
Y*(8,L)*C*C16	UC60C	1.00	0.99	1.01
Y*(8,L)*C*C20	FC/MC/PC43C	0.99	0.93	1.06
Y*(8,L)*C*C20	FC/MC/PC48C	1.01	0.88	1.15
Y*(8,L)*C*C20	FC/PC60C	1.02	0.91	1.12
Y*(8,L)*C*C20	UC48C	1.01	0.98	1.03
Y*(8,L)*C*C20	UC60C	1.00	0.99	1.01
Y*9C*B12	FC/MC/PC43B	1.01	0.94	1.07
Y*9C*C16	FC/MC/PC43C	1.02	0.90	1.12
Y*9C*C16	FC/MC/PC48C	1.03	0.90	1.14
Y*9C*C16	FC/PC60C	1.03	0.90	1.14
Y*9C*C16	UC48C	1.02	1.00	1.01
Y*9C*C16	UC60C	1.01	0.98	1.03
Y*9C*C20	FC/MC/PC43C	1.01	0.88	1.15
Y*9C*C20	FC/MC/PC48C	1.02	0.89	1.15
Y*9C*C20	FC/PC60C	1.02	0.90	1.12
Y*9C*C20	UC48C	1.02	0.98	1.04
Y*9C*C20	UC60C	1.00	0.97	1.03
Y*9C*D20	FC/MC/PC60D	1.02	0.92	1.11
Y*9C*D20	FC/MC62D	1.00	0.98	1.02
Y*9C*D20	FC64D	1.02	1.02	1.00
Y*9C*D20	UC60D	1.01	0.99	1.02

HEATING PERFORMANCE DATA - HIGH CFM 2-STAGE OPERATION										
OUTDOOR UNIT MODEL NO.		YZH03611(C)								
INDOOR COIL MODEL NO.		FC/MC62D + MV12D								
AIR TEMP. ENTERING OUTDOOR UNIT (°F)	AIR TEMP. ENTERING INDOOR COIL (°F)	ID CFM								
		1150			1250			1350		
		MBH	COP	KW	MBH	COP	KW	MBH	COP	KW
60	60	44.6	5.54	2.36	44.9	5.76	2.28	45.3	5.98	2.22
	70	43.6	4.86	2.63	43.9	5.04	2.55	44.1	5.24	2.47
	80	42.6	4.32	2.89	42.8	4.48	2.80	43.0	4.64	2.72
47	60	36.5	4.84	2.21	36.6	5.00	2.15	36.7	5.18	2.08
	70	35.9	4.26	2.47	36.0	4.40	2.40	36.1	4.54	2.33
	80	35.3	3.80	2.72	35.4	3.90	2.66	35.6	4.04	2.58
40	60	32.5	4.48	2.13	32.7	4.62	2.07	32.9	4.76	2.03
	70	32.0	3.94	2.38	32.1	4.06	2.32	32.3	4.18	2.26
	80	31.4	3.52	2.61	31.5	3.62	2.55	31.7	3.72	2.50
30	60	27.1	3.92	2.03	27.3	4.04	1.98	27.5	4.18	1.93
	70	26.7	3.46	2.26	26.8	3.56	2.21	27.0	3.68	2.15
	80	26.2	3.10	2.48	26.4	3.18	2.43	26.6	3.28	2.38
17	60	20.6	3.24	1.86	20.8	3.32	1.84	21.0	3.40	1.81
	70	20.5	2.86	2.10	20.6	2.94	2.05	20.7	3.00	2.02
	80	20.3	2.56	2.32	20.4	2.62	2.28	20.5	2.68	2.24
10	60	17.7	2.90	1.79	17.7	2.96	1.75	17.8	3.00	1.74
	70	17.6	2.58	2.00	17.6	2.62	1.97	17.7	2.66	1.95
	80	17.6	2.32	2.22	17.6	2.36	2.19	17.5	2.40	2.14

NOTE: ALL CAPACITIES ARE NET, WITH INDOOR FAN HEAT ALREADY DEDUCTED. KW VALUES ARE FOR THE SYSTEM (OUTDOOR + INDOOR).

Multipliers for determining the performance with other indoor sections.

HIGH CFM

Air Handler	Coil	MBH	COP	KW
-	FC/MC62	1.00	0.93	1.08
-	FC64	1.00	0.95	1.05
AHE42D	-	1.00	0.97	1.03
AHV36C	-	1.00	0.94	1.07
AHV42D	-	1.00	0.95	1.05
AHV48D	-	1.00	0.95	1.06
MV12D	FC/MC48D	1.00	1.00	1.00
MV12D	FC/MC60D	1.00	1.00	1.00
MV12D	FC/MC62D	1.00	1.00	1.00
MV12D	FC64D	0.99	1.01	0.98
MV16C	FC/MC43C	1.00	1.00	1.00
MV16C	FC/MC48C	1.00	1.00	1.00
MX12BN21	FC/MC43B	1.00	0.87	1.15
MX12DN21	FC/MC48D	0.98	0.95	1.04
MX12DN21	FC/MC60D	0.98	0.94	1.05
MX12DN21	FC64D	1.00	0.98	1.02

Furnace	Coil	MBH	COP	KW
T*(8,L)C*A12	FC/MC/PC37A	0.99	0.89	1.12
T*(8,L)C*B12	FC/MC/PC43B	1.01	0.93	1.09
T*(8,L)C*C16	FC/MC/PC43C	1.00	0.95	1.05
T*(8,L)C*C16	FC/MC/PC48C	1.00	0.96	1.04
T*(8,L)C*C16	FC/PC60C	0.99	0.96	1.03
T*(8,L)C*C16	UC48C	1.01	1.00	1.01
T*(8,L)C*C16	UC60C	1.00	0.99	1.01
T*(8,L)C*C20	FC/MC/PC43C	1.00	0.96	1.04
T*(8,L)C*C20	FC/MC/PC48C	0.99	0.95	1.05
T*(8,L)C*C20	FC/PC60C	1.00	0.96	1.04
T*(8,L)C*C20	UC48C	1.00	0.99	1.01
T*(8,L)C*C20	UC60C	1.00	0.99	1.01
T*(8,L)V*A12	FC/MC/PC37A	0.99	0.89	1.12
T*(8,L)V*B12	FC/MC/PC43B	1.01	0.93	1.09
T*(8,L)V*C16	FC/MC/PC43C	1.00	0.95	1.05
T*(8,L)V*C16	FC/MC/PC48C	1.00	0.96	1.04
T*(8,L)V*C16	FC/PC60C	0.99	0.96	1.03
T*(8,L)V*C16	UC48C	1.01	1.00	1.01
T*(8,L)V*C16	UC60C	1.00	0.99	1.01
T*(8,L)V*C20	FC/MC/PC43C	1.00	0.96	1.04
T*(8,L)V*C20	FC/MC/PC48C	0.99	0.95	1.05
T*(8,L)V*C20	FC/PC60C	1.00	0.96	1.04
T*(8,L)V*C20	UC48C	1.00	0.99	1.01
T*(8,L)V*C20	UC60C	1.00	0.99	1.01
T*9(C,V)*B12	FC/MC/PC43B	1.01	0.93	1.08
T*9(C,V)*C16	FC/MC/PC43C	1.01	0.95	1.06

Continued on next page.

Furnace	Coil	MBH	COP	KW
T*9(C,V)*C16	FC/MC/PC48C	1.01	0.95	1.06
T*9(C,V)*C16	FC/PC60C	1.01	0.95	1.06
T*9(C,V)*C16	UC48C	1.01	0.99	1.02
T*9(C,V)*C16	UC60C	1.01	0.97	1.04
T*9(C,V)*C20	FC/MC/PC43C	1.00	0.95	1.05
T*9(C,V)*C20	FC/MC/PC48C	1.02	0.95	1.07
T*9(C,V)*C20	FC/PC60C	1.02	0.96	1.06
T*9(C,V)*C20	UC48C	1.02	0.99	1.03
T*9(C,V)*C20	UC60C	1.02	0.99	1.03
T*9(C,V)*D20	FC/MC/PC60D	1.01	0.96	1.05
T*9(C,V)*D20	FC/MC62D	1.01	0.98	1.02
T*9(C,V)*D20	FC64D	1.00	1.00	1.00
T*9(C,V)*D20	UC60D	1.01	0.98	1.02
TM8X060A12MP11	FC/MC/PC37A	1.00	0.89	1.13
TM8X080B12MP11	FC/MC/PC43B	1.00	0.90	1.12
TM8X080C16MP11	FC/MC/PC43C	0.99	0.92	1.08
TM8X080C16MP11	FC/MC/PC48C	0.99	0.94	1.06
TM8X080C16MP11	FC/MC/PC48D	1.00	0.90	1.12
TM8X080C16MP11	FC/MC/PC60D	1.00	0.89	1.13
TM8X080C16MP11	FC/MC62D	1.00	0.90	1.11
TM8X080C16MP11	FC/PC60C	0.99	0.92	1.07
TM8X080C16MP11	FC64D	1.00	0.95	1.05
TM8X080C16MP11	UC48C	0.99	0.98	1.01
TM8X080C16MP11	UC48D	1.00	0.95	1.06
TM8X080C16MP11	UC60C	0.98	0.91	1.08
TM8X080C16MP11	UC60D	0.98	0.88	1.12
TM8X100C16MP11	FC/MC/PC43C	0.99	0.92	1.08
TM8X100C16MP11	FC/MC/PC48C	0.99	0.94	1.06
TM8X100C16MP11	FC/MC/PC48D	1.00	0.90	1.12
TM8X100C16MP11	FC/MC/PC60D	1.00	0.89	1.13
TM8X100C16MP11	FC/MC62D	1.00	0.90	1.11
TM8X100C16MP11	FC/PC60C	0.99	0.92	1.07
TM8X100C16MP11	FC64D	1.00	0.95	1.05
TM8X100C16MP11	UC48C	0.99	0.98	1.01
TM8X100C16MP11	UC48D	1.00	0.95	1.06
TM8X100C16MP11	UC60C	0.98	0.91	1.08
TM8X100C16MP11	UC60D	0.98	0.88	1.12
TM9E060B12MP11	FC/MC/PC43B	1.00	0.90	1.12
TM9E080B12MP11	FC/MC/PC43B	1.00	0.90	1.12
TM9E080C16MP11	FC/MC/PC48D	1.00	0.90	1.11
TM9E080C16MP11	FC/MC62D	1.00	0.90	1.11
TM9E080C16MP11	FC64D	1.01	0.95	1.07
TM9E080C16MP11	UC48D	1.01	0.94	1.08
TM9E100C16MP11	FC/MC/PC48D	1.00	0.90	1.11
TM9E100C16MP11	FC/MC62D	1.00	0.90	1.11
TM9E100C16MP11	FC64D	1.01	0.95	1.07
TM9E100C16MP11	UC48D	1.01	0.94	1.08
TM9X060B12MP11	FC/MC/PC43B	1.00	0.90	1.12
TM9X080B12MP11	FC/MC/PC43B	1.00	0.90	1.12
TM9X080C16MP11	FC/MC/PC48D	1.00	0.90	1.11
TM9X080C16MP11	FC/MC62D	1.00	0.90	1.11
TM9X080C16MP11	FC64D	1.01	0.95	1.07
TM9X080C16MP11	UC48D	1.01	0.94	1.08
TM9X100C16MP11	FC/MC/PC48D	1.00	0.90	1.11
TM9X100C16MP11	FC/MC62D	1.00	0.90	1.11

Furnace	Coil	MBH	COP	KW
TM9X100C16MP11	FC64D	1.01	0.95	1.07
TM9X100C16MP11	UC48D	1.01	0.94	1.08
TMLX060A12MP11	FC/MC/PC37A	1.00	0.89	1.13
TMLX080B12MP11	FC/MC/PC43B	1.00	0.90	1.12
TMLX080C16MP11	FC/MC/PC43C	0.99	0.92	1.08
TMLX080C16MP11	FC/MC/PC48C	0.99	0.94	1.06
TMLX080C16MP11	FC/MC/PC48D	1.00	0.90	1.12
TMLX080C16MP11	FC/MC/PC60D	1.00	0.89	1.13
TMLX080C16MP11	FC/MC62D	1.00	0.90	1.11
TMLX080C16MP11	FC/PC60C	0.99	0.92	1.07
TMLX080C16MP11	FC64D	1.00	0.95	1.05
TMLX080C16MP11	UC48C	0.99	0.98	1.01
TMLX080C16MP11	UC48D	1.00	0.95	1.06
TMLX080C16MP11	UC60C	0.98	0.91	1.08
TMLX080C16MP11	UC60D	0.98	0.88	1.12
TMLX100C16MP11	FC/MC/PC43C	0.99	0.92	1.08
TMLX100C16MP11	FC/MC/PC48C	0.99	0.94	1.06
TMLX100C16MP11	FC/MC/PC48D	1.00	0.90	1.12
TMLX100C16MP11	FC/MC/PC60D	1.00	0.89	1.13
TMLX100C16MP11	FC/MC62D	1.00	0.90	1.11
TMLX100C16MP11	FC/PC60C	0.99	0.92	1.07
TMLX100C16MP11	FC64D	1.00	0.95	1.05
TMLX100C16MP11	UC48C	0.99	0.98	1.01
TMLX100C16MP11	UC48D	1.00	0.95	1.06
TMLX100C16MP11	UC60C	0.98	0.91	1.08
TMLX100C16MP11	UC60D	0.98	0.88	1.12
Y*(8,L)*C*A12	FC/MC/PC37A	0.99	0.89	1.12
Y*(8,L)*C*B12	FC/MC/PC43B	1.01	0.93	1.09
Y*(8,L)*C*C16	FC/MC/PC43C	1.00	0.95	1.05
Y*(8,L)*C*C16	FC/MC/PC48C	1.00	0.96	1.04
Y*(8,L)*C*C16	FC/PC60C	0.99	0.96	1.03
Y*(8,L)*C*C16	UC48C	1.01	1.00	1.01
Y*(8,L)*C*C16	UC60C	1.00	0.99	1.01
Y*(8,L)*C*C20	FC/MC/PC43C	1.00	0.96	1.04
Y*(8,L)*C*C20	FC/MC/PC48C	0.99	0.95	1.05
Y*(8,L)*C*C20	FC/PC60C	1.00	0.96	1.04
Y*(8,L)*C*C20	UC48C	1.00	0.99	1.01
Y*(8,L)*C*C20	UC60C	1.00	0.99	1.01
Y*9C*B12	FC/MC/PC43B	1.01	0.93	1.08
Y*9C*C16	FC/MC/PC43C	1.01	0.95	1.06
Y*9C*C16	FC/MC/PC48C	1.01	0.95	1.06
Y*9C*C16	FC/PC60C	1.01	0.95	1.06
Y*9C*C16	UC48C	1.01	0.99	1.02
Y*9C*C16	UC60C	1.01	0.97	1.04
Y*9C*C20	FC/MC/PC43C	1.00	0.95	1.05
Y*9C*C20	FC/MC/PC48C	1.02	0.95	1.07
Y*9C*C20	FC/PC60C	1.02	0.96	1.06
Y*9C*C20	UC48C	1.02	0.99	1.03
Y*9C*C20	UC60C	1.02	0.99	1.03
Y*9C*D20	FC/MC/PC60D	1.01	0.96	1.05
Y*9C*D20	FC/MC62D	1.01	0.98	1.02
Y*9C*D20	FC64D	1.00	1.00	1.00
Y*9C*D20	UC60D	1.01	0.98	1.02

HEATING PERFORMANCE DATA - LOW CFM 1-STAGE OPERATION										
OUTDOOR UNIT MODEL NO.		YZH04811(C)								
INDOOR COIL MODEL NO.		FC/MC62D + MV20D								
AIR TEMP. ENTERING OUTDOOR UNIT (°F)	AIR TEMP. ENTERING INDOOR COIL (°F)	ID CFM								
		1000			1050			1100		
		MBH	COP	KW	MBH	COP	KW	MBH	COP	KW
60	60	44.5	5.04	2.59	44.7	5.16	2.54	44.9	5.28	2.49
	70	43.7	4.42	2.90	43.8	4.52	2.84	43.9	4.62	2.78
	80	43.0	3.92	3.21	43.0	4.00	3.15	43.0	4.08	3.09
47	60	36.2	4.20	2.53	36.4	4.30	2.48	36.5	4.38	2.44
	70	35.7	3.72	2.81	35.8	3.80	2.76	35.9	3.88	2.71
	80	35.2	3.34	3.09	35.2	3.40	3.03	35.3	3.46	2.99
40	60	31.9	3.82	2.45	32.0	3.90	2.40	32.1	3.96	2.38
	70	31.6	3.38	2.74	31.6	3.44	2.69	31.6	3.50	2.65
	80	31.3	3.04	3.02	31.2	3.08	2.97	31.1	3.12	2.92
30	60	26.2	3.24	2.37	26.3	3.28	2.35	26.3	3.34	2.31
	70	26.0	2.88	2.65	25.9	2.90	2.62	25.9	2.94	2.58
	80	25.7	2.58	2.92	25.6	2.60	2.89	25.5	2.62	2.85
17	60	19.5	2.52	2.27	19.5	2.56	2.23	19.6	2.58	2.23
	70	19.3	2.22	2.55	19.4	2.26	2.52	19.4	2.30	2.47
	80	19.2	1.98	2.84	19.2	2.02	2.79	19.3	2.08	2.72
10	60	16.1	2.10	2.25	16.1	2.14	2.20	16.2	2.16	2.20
	70	15.9	1.86	2.51	16.0	1.90	2.47	16.1	1.94	2.43
	80	15.6	1.66	2.75	15.8	1.70	2.72	16.0	1.76	2.66

NOTE: ALL CAPACITIES ARE NET, WITH INDOOR FAN HEAT ALREADY DEDUCTED. KW VALUES ARE FOR THE SYSTEM (OUTDOOR + INDOOR).

Multipliers for determining the performance with other indoor sections.

LOW CFM

Air Handler	Coil	MBH	COP	KW
-	FC/MC62	0.92	0.93	0.99
-	FC64	1.04	0.98	1.06
AHE60D	-	1.00	1.01	0.99
AHV48D	-	1.00	0.99	1.01
AHV60D	-	0.99	1.01	0.99
MV16C	FC/MC48C	0.99	0.95	1.05
MV20D	FC/MC48D	1.01	0.95	1.06
MV20D	FC/MC60D	1.01	1.00	1.01
MV20D	FC/MC62D	1.00	1.00	1.00
MV20D	FC64D	1.01	1.00	1.01
MX16CN21	FC/MC48C	0.96	0.93	1.03
MX16CN21	FC60C	0.96	0.92	1.05

Furnace	Coil	MBH	COP	KW
T*(8,L)C*C16	FC/MC/PC48C	0.99	0.95	1.04
T*(8,L)C*C16	FC/PC60C	0.99	0.95	1.04
T*(8,L)C*C16	FC64D	1.00	1.01	0.99
T*(8,L)C*C16	UC48C	1.06	1.00	1.06
T*(8,L)C*C16	UC60C	1.04	0.99	1.05
T*(8,L)C*C20	FC/MC/PC48C	0.99	0.95	1.04
T*(8,L)C*C20	FC/MC62D	0.99	0.97	1.02
T*(8,L)C*C20	FC/PC60C	0.98	0.96	1.02
T*(8,L)C*C20	FC64D	1.00	1.02	0.98
T*(8,L)C*C20	UC48C	1.06	1.00	1.06
T*(8,L)C*C20	UC60C	1.04	1.00	1.04
T*(8,L)V*C16	FC/MC/PC48C	0.99	0.95	1.04
T*(8,L)V*C16	FC/PC60C	0.99	0.95	1.04
T*(8,L)V*C16	FC64D	1.00	1.01	0.99
T*(8,L)V*C16	UC48C	1.06	1.00	1.06
T*(8,L)V*C16	UC60C	1.04	0.99	1.05
T*(8,L)V*C20	FC/MC/PC48C	0.99	0.95	1.04
T*(8,L)V*C20	FC/MC62D	0.99	0.97	1.02

Furnace	Coil	MBH	COP	KW
T*(8,L)V*C20	FC/PC60C	0.98	0.96	1.02
T*(8,L)V*C20	FC64D	1.00	1.02	0.98
T*(8,L)V*C20	UC48C	1.06	1.00	1.06
T*(8,L)V*C20	UC60C	1.04	1.00	1.04
T*9(C,V)*C16	FC/MC/PC48C	1.03	0.96	1.07
T*9(C,V)*C16	FC/PC60C	0.99	0.95	1.04
T*9(C,V)*C16	FC64D	1.02	1.02	1.01
T*9(C,V)*C16	UC48C	1.06	1.00	1.06
T*9(C,V)*C16	UC60C	1.04	0.98	1.06
T*9(C,V)*C20	FC/MC/PC48C	1.03	0.97	1.07
T*9(C,V)*C20	FC/PC60C	0.99	0.96	1.03
T*9(C,V)*C20	FC64D	1.01	1.02	0.99
T*9(C,V)*C20	UC48C	1.06	1.00	1.06
T*9(C,V)*C20	UC60C	1.04	0.99	1.06
T*9(C,V)*D20	FC/MC/PC48D	0.99	0.95	1.04
T*9(C,V)*D20	FC/MC/PC60D	0.99	0.97	1.03
T*9(C,V)*D20	FC/MC62D	0.99	0.98	1.01
T*9(C,V)*D20	FC64D	0.99	1.03	0.96
T*9(C,V)*D20	UC48D	1.06	1.00	1.06
T*9(C,V)*D20	UC60D	1.04	0.99	1.06
TM8X080C16MP11	FC/MC/PC48C	0.97	0.96	1.01
TM8X080C16MP11	FC/MC/PC48D	0.97	0.92	1.05
TM8X080C16MP11	FC/MC/PC60D	0.96	0.91	1.06
TM8X080C16MP11	FC/MC62D	0.95	0.99	0.96
TM8X080C16MP11	FC/PC60C	0.96	0.95	1.02
TM8X080C16MP11	FC64D	0.96	1.03	0.93
TM8X080C16MP11	UC48C	0.97	1.02	0.95
TM8X080C16MP11	UC48D	0.97	0.98	1.00
TM8X080C16MP11	UC60C	0.95	0.96	0.99
TM8X080C16MP11	UC60D	0.95	0.92	1.04
TM8X100C16MP11	FC/MC/PC48C	0.97	0.96	1.01

Continued on next page.

Furnace	Coil	MBH	COP	KW
TM8X100C16MP11	FC/MC/PC48D	0.97	0.92	1.05
TM8X100C16MP11	FC/MC/PC60D	0.96	0.91	1.06
TM8X100C16MP11	FC/MC62D	0.95	0.99	0.96
TM8X100C16MP11	FC/PC60C	0.96	0.95	1.02
TM8X100C16MP11	FC64D	0.96	1.04	0.93
TM8X100C16MP11	UC48C	0.97	1.02	0.95
TM8X100C16MP11	UC48D	0.97	0.98	1.00
TM8X100C16MP11	UC60C	0.95	0.96	0.99
TM8X100C16MP11	UC60D	0.95	0.92	1.04
TM8X100C20MP11	FC/MC/PC48C	0.97	0.99	0.98
TM8X100C20MP11	FC/MC/PC48D	0.97	0.95	1.02
TM8X100C20MP11	FC/MC/PC60D	0.96	0.98	0.98
TM8X100C20MP11	FC/MC62D	0.96	1.01	0.95
TM8X100C20MP11	FC/PC60C	0.96	0.93	1.03
TM8X100C20MP11	UC48C	0.97	1.02	0.95
TM8X100C20MP11	UC48D	0.98	0.99	0.99
TM8X100C20MP11	UC60C	0.95	0.93	1.03
TM8X100C20MP11	UC60D	0.95	0.98	0.97
TM8X120C20MP11	FC/MC/PC48C	0.97	0.99	0.98
TM8X120C20MP11	FC/MC/PC48D	0.97	0.95	1.02
TM8X120C20MP11	FC/MC/PC60D	0.96	0.98	0.98
TM8X120C20MP11	FC/MC62D	0.96	1.01	0.95
TM8X120C20MP11	FC/PC60C	0.96	0.93	1.03
TM8X120C20MP11	UC48C	0.97	1.02	0.95
TM8X120C20MP11	UC48D	0.98	0.99	0.99
TM8X120C20MP11	UC60C	0.95	0.93	1.03
TM8X120C20MP11	UC60D	0.95	0.98	0.97
TM9E100C20MP11	FC/MC/PC48C	0.96	0.94	1.03
TM9E100C20MP11	FC/MC/PC48D	0.96	0.91	1.06
TM9E100C20MP11	FC/MC/PC60D	0.95	0.91	1.05
TM9E100C20MP11	FC/MC62D	0.95	0.97	0.98
TM9E100C20MP11	FC64D	0.96	1.00	0.96
TM9E100C20MP11	UC48C	0.97	1.00	0.97
TM9E100C20MP11	UC48D	0.97	0.96	1.00
TM9E100C20MP11	UC60D	0.95	0.89	1.07
TM9E120D20MP11	FC/MC/PC48D	0.96	0.96	1.01
TM9E120D20MP11	FC/MC/PC60D	0.96	0.95	1.01
TM9E120D20MP11	FC/MC62D	0.95	0.97	0.98
TM9E120D20MP11	FC64D	0.96	0.97	0.99
TM9E120D20MP11	UC48D	0.97	1.01	0.97
TM9E120D20MP11	UC60D	0.95	0.96	0.98
TM9X100C20MP11	FC/MC/PC48C	0.96	0.94	1.03
TM9X100C20MP11	FC/MC/PC48D	0.96	0.91	1.06
TM9X100C20MP11	FC/MC/PC60D	0.95	0.91	1.05
TM9X100C20MP11	FC/MC62D	0.95	0.97	0.98
TM9X100C20MP11	FC64D	0.96	1.00	0.96
TM9X100C20MP11	UC48C	0.97	1.00	0.97
TM9X100C20MP11	UC48D	0.97	0.96	1.00
TM9X100C20MP11	UC60D	0.95	0.89	1.07
TM9X120D20MP11	FC/MC/PC48D	0.96	0.96	1.01
TM9X120D20MP11	FC/MC/PC60D	0.96	0.95	1.01
TM9X120D20MP11	FC/MC62D	0.95	0.97	0.98
TM9X120D20MP11	FC64D	0.96	0.97	0.99
TM9X120D20MP11	UC48D	0.97	1.01	0.97
TM9X120D20MP11	UC60D	0.95	0.96	0.98
TMLX080C16MP11	FC/MC/PC48C	0.97	0.96	1.01
TMLX080C16MP11	FC/MC/PC48D	0.97	0.92	1.05
TMLX080C16MP11	FC/MC/PC60D	0.96	0.91	1.06
TMLX080C16MP11	FC/MC62D	0.95	0.99	0.96
TMLX080C16MP11	FC/PC60C	0.96	0.95	1.02

Furnace	Coil	MBH	COP	KW
TMLX080C16MP11	FC64D	0.96	1.03	0.93
TMLX080C16MP11	UC48C	0.97	1.02	0.95
TMLX080C16MP11	UC48D	0.97	0.98	1.00
TMLX080C16MP11	UC60C	0.95	0.96	0.99
TMLX080C16MP11	UC60D	0.95	0.92	1.04
TMLX100C16MP11	FC/MC/PC48C	0.97	0.96	1.01
TMLX100C16MP11	FC/MC/PC48D	0.97	0.92	1.05
TMLX100C16MP11	FC/MC/PC60D	0.96	0.91	1.06
TMLX100C16MP11	FC/MC62D	0.95	0.99	0.96
TMLX100C16MP11	FC/PC60C	0.96	0.95	1.02
TMLX100C16MP11	FC64D	0.96	1.04	0.93
TMLX100C16MP11	UC48C	0.97	1.02	0.95
TMLX100C16MP11	UC48D	0.97	0.98	1.00
TMLX100C16MP11	UC60C	0.95	0.96	0.99
TMLX100C16MP11	UC60D	0.95	0.92	1.04
TMLX100C20MP11	FC/MC/PC48C	0.97	0.99	0.98
TMLX100C20MP11	FC/MC/PC48D	0.97	0.95	1.02
TMLX100C20MP11	FC/MC/PC60D	0.96	0.98	0.98
TMLX100C20MP11	FC/MC62D	0.96	1.01	0.95
TMLX100C20MP11	FC/PC60C	0.96	0.93	1.03
TMLX100C20MP11	UC48C	0.97	1.02	0.95
TMLX100C20MP11	UC48D	0.98	0.99	0.99
TMLX100C20MP11	UC60C	0.95	0.93	1.03
TMLX100C20MP11	UC60D	0.95	0.98	0.97
TMLX120C20MP11	FC/MC/PC48C	0.97	0.99	0.98
TMLX120C20MP11	FC/MC/PC48D	0.97	0.95	1.02
TMLX120C20MP11	FC/MC/PC60D	0.96	0.98	0.98
TMLX120C20MP11	FC/MC62D	0.96	1.01	0.95
TMLX120C20MP11	FC/PC60C	0.96	0.93	1.03
TMLX120C20MP11	UC48C	0.97	1.02	0.95
TMLX120C20MP11	UC48D	0.98	0.99	0.99
TMLX120C20MP11	UC60C	0.95	0.93	1.03
TMLX120C20MP11	UC60D	0.95	0.98	0.97
Y*(8,L)C*C16	FC/MC/PC48C	0.99	0.95	1.04
Y*(8,L)C*C16	FC/PC60C	0.99	0.95	1.04
Y*(8,L)C*C16	FC64D	1.00	1.01	0.99
Y*(8,L)C*C16	UC48C	1.06	1.00	1.06
Y*(8,L)C*C16	UC60C	1.04	0.99	1.05
Y*(8,L)C*C20	FC/MC/PC48C	0.99	0.95	1.04
Y*(8,L)C*C20	FC/MC62D	0.99	0.97	1.02
Y*(8,L)C*C20	FC/PC60C	0.98	0.96	1.02
Y*(8,L)C*C20	FC64D	1.00	1.02	0.98
Y*(8,L)C*C20	UC48C	1.06	1.00	1.06
Y*(8,L)C*C20	UC60C	1.04	1.00	1.04
Y*9C*C16	FC/MC/PC48C	1.03	0.96	1.07
Y*9C*C16	FC/PC60C	0.99	0.95	1.04
Y*9C*C16	FC64D	1.02	1.02	1.01
Y*9C*C16	UC48C	1.06	1.00	1.06
Y*9C*C16	UC60C	1.04	0.98	1.06
Y*9C*C20	FC/MC/PC48C	1.03	0.97	1.07
Y*9C*C20	FC/PC60C	0.99	0.96	1.03
Y*9C*C20	FC64D	1.01	1.02	0.99
Y*9C*C20	UC48C	1.06	1.00	1.06
Y*9C*C20	UC60C	1.04	0.99	1.06
Y*9C*D20	FC/MC/PC48D	0.99	0.95	1.04
Y*9C*D20	FC/MC/PC60D	0.99	0.97	1.03
Y*9C*D20	FC/MC62D	0.99	0.98	1.01
Y*9C*D20	FC64D	0.99	1.03	0.96
Y*9C*D20	UC48D	1.06	1.00	1.06
Y*9C*D20	UC60D	1.04	0.99	1.06

HEATING PERFORMANCE DATA - HIGH CFM 2-STAGE OPERATION										
OUTDOOR UNIT MODEL NO.		YZH04811(C)								
INDOOR COIL MODEL NO.		FC/MC62D + MV20D								
AIR TEMP. ENTERING OUTDOOR UNIT (°F)	AIR TEMP. ENTERING INDOOR COIL (°F)	ID CFM								
		1475			1575			1675		
		MBH	COP	KW	MBH	COP	KW	MBH	COP	KW
60	60	58.8	4.92	3.50	59.2	5.04	3.44	59.6	5.16	3.39
	70	57.4	4.42	3.81	57.9	4.52	3.75	58.3	4.62	3.70
	80	56.1	3.98	4.13	56.5	4.08	4.06	56.9	4.18	3.99
47	60	48.8	4.36	3.28	49.0	4.46	3.22	49.3	4.56	3.17
	70	47.8	3.92	3.57	48.0	4.00	3.52	48.2	4.08	3.46
	80	46.8	3.54	3.87	47.0	3.62	3.81	47.2	3.68	3.76
40	60	43.8	4.04	3.18	43.9	4.12	3.12	44.0	4.20	3.07
	70	43.2	3.64	3.48	43.2	3.70	3.42	43.3	3.78	3.36
	80	42.5	3.30	3.77	42.5	3.36	3.71	42.6	3.42	3.65
30	60	37.5	3.64	3.02	37.6	3.70	2.98	37.7	3.76	2.94
	70	37.0	3.28	3.31	37.1	3.34	3.26	37.2	3.38	3.23
	80	36.5	2.98	3.59	36.6	3.02	3.55	36.7	3.08	3.49
17	60	30.0	3.10	2.84	30.1	3.16	2.79	30.2	3.20	2.77
	70	29.7	2.80	3.11	29.8	2.84	3.08	29.9	2.90	3.02
	80	29.4	2.56	3.37	29.5	2.60	3.33	29.6	2.64	3.29
10	60	26.4	2.84	2.72	26.4	2.88	2.69	26.5	2.94	2.64
	70	26.1	2.58	2.96	26.2	2.60	2.95	26.3	2.64	2.92
	80	25.8	2.34	3.23	25.9	2.38	3.19	26.1	2.40	3.19

NOTE: ALL CAPACITIES ARE NET, WITH INDOOR FAN HEAT ALREADY DEDUCTED. KW VALUES ARE FOR THE SYSTEM (OUTDOOR + INDOOR).

Multipliers for determining the performance with other indoor sections.

HIGH CFM

Air Handler	Coil	MBH	COP	KW
-	FC/MC62	1.00	0.95	1.05
-	FC64	1.00	0.97	1.03
AHE60D	-	1.00	1.00	1.01
AHV48D	-	1.00	0.96	1.05
AHV60D	-	1.00	0.98	1.03
MV16C	FC/MC48C	1.00	0.95	1.05
MV20D	FC/MC48D	1.00	0.95	1.05
MV20D	FC/MC60D	1.00	1.00	1.00
MV20D	FC/MC62D	1.00	1.00	1.00
MV20D	FC64D	1.00	1.02	0.99
MX16CN21	FC/MC48C	1.00	0.92	1.09
MX16CN21	FC60C	0.99	0.90	1.10

Furnace	Coil	MBH	COP	KW
T*(8,L)C*C16	FC/MC/PC48C	1.01	0.93	1.09
T*(8,L)C*C16	FC/PC60C	1.00	0.94	1.06
T*(8,L)C*C16	FC64D	1.00	1.00	1.01
T*(8,L)C*C16	UC48C	1.01	0.97	1.04
T*(8,L)C*C16	UC60C	1.01	0.98	1.04
T*(8,L)C*C20	FC/MC/PC48C	1.00	0.95	1.05
T*(8,L)C*C20	FC/MC62D	1.00	0.97	1.04
T*(8,L)C*C20	FC/PC60C	1.00	0.95	1.05
T*(8,L)C*C20	FC64D	1.00	1.00	1.01
T*(8,L)C*C20	UC48C	1.01	0.97	1.04
T*(8,L)C*C20	UC60C	1.01	0.99	1.03
T*(8,L)V*C16	FC/MC/PC48C	1.01	0.93	1.09
T*(8,L)V*C16	FC/PC60C	1.00	0.94	1.06
T*(8,L)V*C16	FC64D	1.00	1.00	1.01
T*(8,L)V*C16	UC48C	1.01	0.97	1.04
T*(8,L)V*C16	UC60C	1.01	0.98	1.04
T*(8,L)V*C20	FC/MC/PC48C	1.00	0.95	1.05
T*(8,L)V*C20	FC/MC62D	1.00	0.97	1.04

Furnace	Coil	MBH	COP	KW
T*(8,L)V*C20	FC/PC60C	1.00	0.95	1.05
T*(8,L)V*C20	FC64D	1.00	1.00	1.01
T*(8,L)V*C20	UC48C	1.01	0.97	1.04
T*(8,L)V*C20	UC60C	1.01	0.99	1.03
T*9(C,V)*C16	FC/MC/PC48C	1.01	0.94	1.07
T*9(C,V)*C16	FC/PC60C	1.01	0.95	1.06
T*9(C,V)*C16	FC64D	1.00	0.99	1.01
T*9(C,V)*C16	UC48C	1.01	0.97	1.05
T*9(C,V)*C16	UC60C	1.01	0.97	1.05
T*9(C,V)*C20	FC/MC/PC48C	1.01	0.94	1.07
T*9(C,V)*C20	FC/PC60C	1.01	0.95	1.06
T*9(C,V)*C20	FC64D	1.00	0.98	1.02
T*9(C,V)*C20	UC48C	1.01	0.97	1.05
T*9(C,V)*C20	UC60C	1.01	0.97	1.05
T*9(C,V)*D20	FC/MC/PC48D	1.01	0.95	1.07
T*9(C,V)*D20	FC/MC/PC60D	1.01	0.95	1.06
T*9(C,V)*D20	FC/MC62D	1.01	0.97	1.05
T*9(C,V)*D20	FC64D	1.00	0.98	1.02
T*9(C,V)*D20	UC48D	1.01	0.97	1.05
T*9(C,V)*D20	UC60D	1.01	0.97	1.04
TM8X080C16MP11	FC/MC/PC48C	1.00	0.95	1.06
TM8X080C16MP11	FC/MC/PC48D	1.00	0.91	1.10
TM8X080C16MP11	FC/MC/PC60D	1.00	0.89	1.13
TM8X080C16MP11	FC/MC62D	1.00	0.95	1.06
TM8X080C16MP11	FC/PC60C	1.00	0.93	1.08
TM8X080C16MP11	FC64D	1.00	0.99	1.02
TM8X080C16MP11	UC48C	1.00	0.97	1.04
TM8X080C16MP11	UC48D	1.01	0.93	1.09
TM8X080C16MP11	UC60C	0.99	0.91	1.09
TM8X080C16MP11	UC60D	0.99	0.87	1.14
TM8X100C16MP11	FC/MC/PC48C	1.00	0.95	1.06

Continued on next page.

Furnace	Coil	MBH	COP	KW
TM8X100C16MP11	FC/MC/PC48D	1.00	0.91	1.10
TM8X100C16MP11	FC/MC/PC60D	1.00	0.89	1.13
TM8X100C16MP11	FC/MC62D	1.00	0.95	1.06
TM8X100C16MP11	FC/PC60C	1.00	0.93	1.08
TM8X100C16MP11	FC64D	1.00	0.99	1.02
TM8X100C16MP11	UC48C	1.00	0.97	1.04
TM8X100C16MP11	UC48D	1.01	0.93	1.09
TM8X100C16MP11	UC60C	0.99	0.91	1.09
TM8X100C16MP11	UC60D	0.99	0.87	1.14
TM8X100C20MP11	FC/MC/PC48C	1.00	0.95	1.06
TM8X100C20MP11	FC/MC/PC48D	1.00	0.91	1.10
TM8X100C20MP11	FC/MC/PC60D	0.99	0.93	1.06
TM8X100C20MP11	FC/MC62D	1.00	0.96	1.04
TM8X100C20MP11	FC/PC60C	0.99	0.89	1.12
TM8X100C20MP11	UC48C	0.99	0.97	1.02
TM8X100C20MP11	UC48D	1.01	0.95	1.07
TM8X100C20MP11	UC60C	0.99	0.89	1.12
TM8X100C20MP11	UC60D	0.99	0.93	1.06
TM8X120C20MP11	FC/MC/PC48C	1.00	0.95	1.06
TM8X120C20MP11	FC/MC/PC48D	1.00	0.91	1.10
TM8X120C20MP11	FC/MC/PC60D	0.99	0.93	1.06
TM8X120C20MP11	FC/MC62D	1.00	0.96	1.04
TM8X120C20MP11	FC/PC60C	0.99	0.89	1.12
TM8X120C20MP11	UC48C	0.99	0.97	1.02
TM8X120C20MP11	UC48D	1.01	0.95	1.07
TM8X120C20MP11	UC60C	0.99	0.89	1.12
TM8X120C20MP11	UC60D	0.99	0.93	1.06
TM9E100C20MP11	FC/MC/PC48C	1.00	0.92	1.09
TM9E100C20MP11	FC/MC/PC48D	1.00	0.89	1.12
TM9E100C20MP11	FC/MC/PC60D	0.99	0.87	1.14
TM9E100C20MP11	FC/MC62D	1.00	0.95	1.06
TM9E100C20MP11	FC64D	1.00	0.98	1.02
TM9E100C20MP11	UC48C	1.00	0.96	1.04
TM9E100C20MP11	UC48D	1.00	0.93	1.08
TM9E100C20MP11	UC60D	0.99	0.87	1.14
TM9E120D20MP11	FC/MC/PC48D	1.00	0.95	1.06
TM9E120D20MP11	FC/MC/PC60D	0.99	0.93	1.06
TM9E120D20MP11	FC/MC62D	1.00	0.95	1.05
TM9E120D20MP11	FC64D	1.00	0.95	1.06
TM9E120D20MP11	UC48D	1.00	0.97	1.04
TM9E120D20MP11	UC60D	0.99	0.92	1.08
TM9X100C20MP11	FC/MC/PC48C	1.00	0.92	1.09
TM9X100C20MP11	FC/MC/PC48D	1.00	0.89	1.12
TM9X100C20MP11	FC/MC/PC60D	0.99	0.87	1.14
TM9X100C20MP11	FC/MC62D	1.00	0.95	1.06
TM9X100C20MP11	FC64D	1.00	0.98	1.02
TM9X100C20MP11	UC48C	1.00	0.96	1.04
TM9X100C20MP11	UC48D	1.00	0.93	1.08
TM9X100C20MP11	UC60D	0.99	0.87	1.14
TM9X120D20MP11	FC/MC/PC48D	1.00	0.95	1.06
TM9X120D20MP11	FC/MC/PC60D	0.99	0.93	1.06
TM9X120D20MP11	FC/MC62D	1.00	0.95	1.05
TM9X120D20MP11	FC64D	1.00	0.95	1.06
TM9X120D20MP11	UC48D	1.00	0.97	1.04
TM9X120D20MP11	UC60D	0.99	0.92	1.08
TMLX080C16MP11	FC/MC/PC48C	1.00	0.95	1.06
TMLX080C16MP11	FC/MC/PC48D	1.00	0.91	1.10
TMLX080C16MP11	FC/MC/PC60D	1.00	0.89	1.13
TMLX080C16MP11	FC/MC62D	1.00	0.95	1.06
TMLX080C16MP11	FC/PC60C	1.00	0.93	1.08

Furnace	Coil	MBH	COP	KW
TMLX080C16MP11	FC64D	1.00	0.99	1.02
TMLX080C16MP11	UC48C	1.00	0.97	1.04
TMLX080C16MP11	UC48D	1.01	0.93	1.09
TMLX080C16MP11	UC60C	0.99	0.91	1.09
TMLX080C16MP11	UC60D	0.99	0.87	1.14
TMLX100C16MP11	FC/MC/PC48C	1.00	0.95	1.06
TMLX100C16MP11	FC/MC/PC48D	1.00	0.91	1.10
TMLX100C16MP11	FC/MC/PC60D	1.00	0.89	1.13
TMLX100C16MP11	FC/MC62D	1.00	0.95	1.06
TMLX100C16MP11	FC/PC60C	1.00	0.93	1.08
TMLX100C16MP11	FC64D	1.00	0.99	1.02
TMLX100C16MP11	UC48C	1.00	0.97	1.04
TMLX100C16MP11	UC48D	1.01	0.93	1.09
TMLX100C16MP11	UC60C	0.99	0.91	1.09
TMLX100C16MP11	UC60D	0.99	0.87	1.14
TMLX100C20MP11	FC/MC/PC48C	1.00	0.95	1.06
TMLX100C20MP11	FC/MC/PC48D	1.00	0.91	1.10
TMLX100C20MP11	FC/MC/PC60D	0.99	0.93	1.06
TMLX100C20MP11	FC/MC62D	1.00	0.96	1.04
TMLX100C20MP11	FC/PC60C	0.99	0.89	1.12
TMLX100C20MP11	UC48C	0.99	0.97	1.02
TMLX100C20MP11	UC48D	1.01	0.95	1.07
TMLX100C20MP11	UC60C	0.99	0.89	1.12
TMLX100C20MP11	UC60D	0.99	0.93	1.06
TMLX120C20MP11	FC/MC/PC48C	1.00	0.95	1.06
TMLX120C20MP11	FC/MC/PC48D	1.00	0.91	1.10
TMLX120C20MP11	FC/MC/PC60D	0.99	0.93	1.06
TMLX120C20MP11	FC/MC62D	1.00	0.96	1.04
TMLX120C20MP11	FC/PC60C	0.99	0.89	1.12
TMLX120C20MP11	UC48C	0.99	0.97	1.02
TMLX120C20MP11	UC48D	1.01	0.95	1.07
TMLX120C20MP11	UC60C	0.99	0.89	1.12
TMLX120C20MP11	UC60D	0.99	0.93	1.06
Y*(8,L)C*C16	FC/MC/PC48C	1.01	0.93	1.09
Y*(8,L)C*C16	FC/PC60C	1.00	0.94	1.06
Y*(8,L)C*C16	FC64D	1.00	1.00	1.01
Y*(8,L)C*C16	UC48C	1.01	0.97	1.04
Y*(8,L)C*C16	UC60C	1.01	0.98	1.04
Y*(8,L)C*C20	FC/MC/PC48C	1.00	0.95	1.05
Y*(8,L)C*C20	FC/MC62D	1.00	0.97	1.04
Y*(8,L)C*C20	FC/PC60C	1.00	0.95	1.05
Y*(8,L)C*C20	FC64D	1.00	1.00	1.01
Y*(8,L)C*C20	UC48C	1.01	0.97	1.04
Y*(8,L)C*C20	UC60C	1.01	0.99	1.03
Y*9C*C16	FC/MC/PC48C	1.01	0.94	1.07
Y*9C*C16	FC/PC60C	1.01	0.95	1.06
Y*9C*C16	FC64D	1.00	0.99	1.01
Y*9C*C16	UC48C	1.01	0.97	1.05
Y*9C*C16	UC60C	1.01	0.97	1.05
Y*9C*C20	FC/MC/PC48C	1.01	0.94	1.07
Y*9C*C20	FC/PC60C	1.01	0.95	1.06
Y*9C*C20	FC64D	1.00	0.98	1.02
Y*9C*C20	UC48C	1.01	0.97	1.05
Y*9C*C20	UC60C	1.01	0.97	1.05
Y*9C*D20	FC/MC/PC48D	1.01	0.95	1.07
Y*9C*D20	FC/MC/PC60D	1.01	0.95	1.06
Y*9C*D20	FC/MC62D	1.01	0.97	1.05
Y*9C*D20	FC64D	1.00	0.98	1.02
Y*9C*D20	UC48D	1.01	0.97	1.05
Y*9C*D20	UC60D	1.01	0.97	1.04

HEATING PERFORMANCE DATA - LOW CFM 1-STAGE OPERATION										
OUTDOOR UNIT MODEL NO.		YZH06011(C)								
INDOOR COIL MODEL NO.		FC/MC62D + MV20D								
AIR TEMP. ENTERING OUTDOOR UNIT (°F)	AIR TEMP. ENTERING INDOOR COIL (°F)	ID CFM								
		1125			1175			1225		
		MBH	COP	KW	MBH	COP	KW	MBH	COP	KW
60	60	53.0	4.38	3.55	53.2	4.46	3.50	53.3	4.56	3.43
	70	52.1	3.90	3.92	52.3	3.98	3.85	52.5	4.06	3.79
	80	51.3	3.50	4.30	51.4	3.58	4.21	51.6	3.64	4.15
47	60	43.5	3.74	3.41	43.6	3.82	3.35	43.6	3.88	3.29
	70	43.0	3.34	3.77	43.0	3.40	3.71	43.0	3.46	3.64
	80	42.4	3.02	4.11	42.4	3.06	4.06	42.5	3.10	4.02
40	60	38.5	3.40	3.32	38.4	3.44	3.27	38.3	3.50	3.21
	70	38.4	3.04	3.70	38.4	3.08	3.65	38.4	3.12	3.61
	80	38.4	2.76	4.08	38.4	2.80	4.02	38.4	2.84	3.96
30	60	32.6	2.94	3.25	32.6	2.98	3.21	32.6	3.02	3.16
	70	32.6	2.64	3.62	32.7	2.68	3.58	32.7	2.72	3.52
	80	32.7	2.40	3.99	32.8	2.44	3.94	32.8	2.48	3.88
17	60	25.2	2.38	3.10	25.3	2.40	3.09	25.3	2.44	3.04
	70	25.8	2.12	3.57	26.0	2.14	3.56	26.2	2.18	3.52
	80	26.5	1.92	4.05	26.8	1.96	4.01	27.1	1.98	4.01
10	60	21.9	2.12	3.03	21.9	2.14	3.00	21.9	2.16	2.97
	70	22.5	1.86	3.55	22.7	1.88	3.54	22.9	1.92	3.50
	80	23.1	1.66	4.08	23.5	1.70	4.05	24.0	1.72	4.09

NOTE: ALL CAPACITIES ARE NET, WITH INDOOR FAN HEAT ALREADY DEDUCTED. KW VALUES ARE FOR THE SYSTEM (OUTDOOR + INDOOR).

Multipliers for determining the performance with other indoor sections.

LOW CFM

Air Handler	Coil	MBH	COP	KW
-	FC/MC62	0.93	0.95	0.98
-	FC64	1.03	1.00	1.03
AHE60D	-	1.00	1.01	0.99
AHV60D	-	1.01	1.02	0.99
MV20D	FC/MC60D	1.00	1.00	1.00
MV20D	FC/MC62D	1.00	1.00	1.00
MV20D	FC64D	1.01	1.03	0.98
MX16CN21	FC60C	0.94	0.89	1.06

Continued on next page.

Furnace	Coil	MBH	COP	KW
T*(8,L)C*C20	FC/MC/PC60D	0.99	0.93	1.06
T*(8,L)C*C20	FC/MC62D	0.99	0.95	1.04
T*(8,L)C*C20	FC/PC60C	0.99	0.93	1.06
T*(8,L)C*C20	FC64D	1.00	0.98	1.02
T*(8,L)C*C20	UC60C	1.00	0.96	1.04
T*(8,L)V*C20	FC/MC/PC60D	0.99	0.93	1.06
T*(8,L)V*C20	FC/MC62D	0.99	0.95	1.04
T*(8,L)V*C20	FC/PC60C	0.99	0.93	1.06
T*(8,L)V*C20	FC64D	1.00	0.98	1.02
T*(8,L)V*C20	UC60C	1.00	0.96	1.04
T*9(C,V)*C20	FC/MC/PC60D	1.00	0.92	1.08
T*9(C,V)*C20	FC/MC62D	1.00	0.94	1.06
T*9(C,V)*C20	FC/PC60C	0.99	0.92	1.07
T*9(C,V)*C20	FC64D	1.00	0.98	1.02
T*9(C,V)*C20	UC60C	1.00	0.95	1.05
T*9(C,V)*D20	FC/MC/PC60D	1.00	0.94	1.06
T*9(C,V)*D20	FC/MC62D	1.00	0.96	1.04
T*9(C,V)*D20	FC64D	1.01	0.99	1.02
T*9(C,V)*D20	UC60D	1.00	0.96	1.04
TM8X080C16MP11	FC/MC/PC60D	0.93	0.88	1.06
TM8X080C16MP11	FC/MC62D	0.93	0.92	1.02
TM8X080C16MP11	FC/PC60C	0.93	0.88	1.07
TM8X080C16MP11	FC64D	0.95	0.96	0.99
TM8X080C16MP11	UC60C	0.92	0.87	1.06
TM8X080C16MP11	UC60D	0.92	0.87	1.06
TM8X100C16MP11	FC/MC/PC60D	0.93	0.88	1.06
TM8X100C16MP11	FC/MC62D	0.93	0.92	1.02
TM8X100C16MP11	FC/PC60C	0.93	0.88	1.06
TM8X100C16MP11	FC64D	0.95	0.96	0.99
TM8X100C16MP11	UC60C	0.92	0.87	1.06
TM8X100C16MP11	UC60D	0.92	0.87	1.06
TM8X100C20MP11	FC/MC/PC60D	0.93	0.94	0.99
TM8X100C20MP11	FC/MC62D	0.93	0.98	0.95
TM8X100C20MP11	FC/PC60C	0.93	0.95	0.99
TM8X100C20MP11	UC60C	0.93	0.94	1.00
TM8X100C20MP11	UC60D	0.93	0.94	0.99
TM8X120C20MP11	FC/MC/PC60D	0.93	0.94	0.99
TM8X120C20MP11	FC/MC62D	0.93	0.98	0.95
TM8X120C20MP11	FC/PC60C	0.93	0.95	0.99
TM8X120C20MP11	UC60C	0.93	0.94	1.00
TM8X120C20MP11	UC60D	0.93	0.94	0.99
TM9E100C20MP11	FC/MC/PC60D	0.93	0.89	1.05
TM9E100C20MP11	FC/MC62D	0.93	0.94	0.99
TM9E100C20MP11	FC64D	0.95	0.98	0.96
TM9E100C20MP11	UC60D	0.92	0.89	1.04
TM9E120D20MP11	FC/MC/PC60D	0.93	0.92	1.01
TM9E120D20MP11	FC/MC62D	0.93	0.94	0.99

Furnace	Coil	MBH	COP	KW
TM9E120D20MP11	FC64D	0.95	0.97	0.98
TM9E120D20MP11	UC60D	0.92	0.92	1.01
TM9X100C20MP11	FC/MC/PC60D	0.93	0.89	1.05
TM9X100C20MP11	FC/MC62D	0.93	0.94	0.99
TM9X100C20MP11	FC64D	0.95	0.98	0.96
TM9X100C20MP11	UC60D	0.92	0.89	1.04
TM9X120D20MP11	FC/MC/PC60D	0.93	0.92	1.01
TM9X120D20MP11	FC/MC62D	0.93	0.94	0.99
TM9X120D20MP11	FC64D	0.95	0.97	0.98
TM9X120D20MP11	UC60D	0.92	0.92	1.01
TMLX080C16MP11	FC/MC/PC60D	0.93	0.88	1.06
TMLX080C16MP11	FC/MC62D	0.93	0.92	1.02
TMLX080C16MP11	FC/PC60C	0.93	0.88	1.07
TMLX080C16MP11	FC64D	0.95	0.96	0.99
TMLX080C16MP11	UC60C	0.92	0.87	1.06
TMLX080C16MP11	UC60D	0.92	0.87	1.06
TMLX100C16MP11	FC/MC/PC60D	0.93	0.88	1.06
TMLX100C16MP11	FC/MC62D	0.93	0.92	1.02
TMLX100C16MP11	FC/PC60C	0.93	0.88	1.06
TMLX100C16MP11	FC64D	0.95	0.96	0.99
TMLX100C16MP11	UC60C	0.92	0.87	1.06
TMLX100C16MP11	UC60D	0.92	0.87	1.06
TMLX100C20MP11	FC/MC/PC60D	0.93	0.94	0.99
TMLX100C20MP11	FC/MC62D	0.93	0.98	0.95
TMLX100C20MP11	FC/PC60C	0.93	0.95	0.99
TMLX100C20MP11	UC60C	0.93	0.94	1.00
TMLX100C20MP11	UC60D	0.93	0.94	0.99
TMLX120C20MP11	FC/MC/PC60D	0.93	0.94	0.99
TMLX120C20MP11	FC/MC62D	0.93	0.98	0.95
TMLX120C20MP11	FC/PC60C	0.93	0.95	0.99
TMLX120C20MP11	UC60C	0.93	0.94	1.00
TMLX120C20MP11	UC60D	0.93	0.94	0.99
Y*(8,L)C*C20	FC/MC/PC60D	0.99	0.93	1.06
Y*(8,L)C*C20	FC/MC62D	0.99	0.95	1.04
Y*(8,L)C*C20	FC/PC60C	0.99	0.93	1.06
Y*(8,L)C*C20	FC64D	1.00	0.98	1.02
Y*(8,L)C*C20	UC60C	1.00	0.96	1.04
Y*9C*C20	FC/MC/PC60D	1.00	0.92	1.08
Y*9C*C20	FC/MC62D	1.00	0.94	1.06
Y*9C*C20	FC/PC60C	0.99	0.92	1.07
Y*9C*C20	FC64D	1.00	0.98	1.02
Y*9C*C20	UC60C	1.00	0.95	1.05
Y*9C*D20	FC/MC/PC60D	1.00	0.94	1.06
Y*9C*D20	FC/MC62D	1.00	0.96	1.04
Y*9C*D20	FC64D	1.01	0.99	1.02
Y*9C*D20	UC60D	1.00	0.96	1.04

HEATING PERFORMANCE DATA - HIGH CFM 2-STAGE OPERATION										
OUTDOOR UNIT MODEL NO.		YZH06011(C)								
INDOOR COIL MODEL NO.		FC/MC62D + MV20D								
AIR TEMP. ENTERING OUTDOOR UNIT (°F)	AIR TEMP. ENTERING INDOOR COIL (°F)	ID CFM								
		1725			1825			1925		
		MBH	COP	KW	MBH	COP	KW	MBH	COP	KW
60	60	70.8	4.64	4.47	71.2	4.74	4.40	71.6	4.86	4.32
	70	69.5	4.18	4.87	69.9	4.26	4.81	70.3	4.36	4.73
	80	68.2	3.78	5.29	68.6	3.86	5.21	68.9	3.94	5.13
47	60	58.6	4.14	4.15	58.8	4.22	4.08	59.1	4.32	4.01
	70	57.8	3.72	4.55	58.0	3.80	4.47	58.2	3.88	4.40
	80	56.9	3.38	4.93	57.2	3.44	4.87	57.4	3.50	4.81
40	60	52.2	3.84	3.98	52.3	3.92	3.91	52.4	4.00	3.84
	70	51.6	3.46	4.37	51.7	3.52	4.30	51.8	3.58	4.24
	80	51.0	3.14	4.76	51.1	3.20	4.68	51.3	3.26	4.61
30	60	44.6	3.46	3.78	44.8	3.52	3.73	45.0	3.58	3.68
	70	44.2	3.12	4.15	44.3	3.16	4.11	44.4	3.22	4.04
	80	43.7	2.84	4.51	43.8	2.88	4.46	43.9	2.92	4.41
17	60	35.6	2.96	3.52	35.7	3.00	3.49	35.8	3.04	3.45
	70	35.6	2.68	3.89	35.6	2.72	3.84	35.7	2.76	3.79
	80	35.5	2.46	4.23	35.5	2.48	4.20	35.6	2.52	4.14
10	60	31.6	2.74	3.38	31.7	2.78	3.34	31.7	2.80	3.32
	70	31.6	2.48	3.73	31.6	2.52	3.68	31.7	2.54	3.66
	80	31.6	2.28	4.06	31.6	2.30	4.03	31.7	2.32	4.00

NOTE: ALL CAPACITIES ARE NET, WITH INDOOR FAN HEAT ALREADY DEDUCTED. KW VALUES ARE FOR THE SYSTEM (OUTDOOR + INDOOR).

Multipliers for determining the performance with other indoor sections.

HIGH CFM

Air Handler	Coil	MBH	COP	KW
-	FC/MC62	0.98	0.96	1.02
-	FC64	0.98	0.98	1.00
AHE60D	-	1.00	0.99	1.01
AHV60D	-	1.00	1.00	1.00
MV20D	FC/MC60D	1.00	1.00	1.00
MV20D	FC/MC62D	1.00	1.00	1.00
MV20D	FC64D	0.98	1.01	0.98
MX16CN21	FC60C	0.98	0.86	1.15

Continued on next page.

Furnace	Coil	MBH	COP	KW
T*(8,L)C*C20	FC/MC/PC60D	0.99	0.94	1.05
T*(8,L)C*C20	FC/MC62D	0.99	0.97	1.02
T*(8,L)C*C20	FC/PC60C	0.99	0.92	1.08
T*(8,L)C*C20	FC64D	0.98	0.99	0.99
T*(8,L)C*C20	UC60C	0.99	0.96	1.03
T*(8,L)V*C20	FC/MC/PC60D	0.99	0.94	1.05
T*(8,L)V*C20	FC/MC62D	0.99	0.97	1.02
T*(8,L)V*C20	FC/PC60C	0.99	0.94	1.06
T*(8,L)V*C20	FC64D	0.98	0.99	0.99
T*(8,L)V*C20	UC60C	0.99	0.96	1.03
T*9(C,V)*C20	FC/MC/PC60D	1.00	0.93	1.08
T*9(C,V)*C20	FC/MC62D	1.00	0.95	1.06
T*9(C,V)*C20	FC/PC60C	1.00	0.93	1.08
T*9(C,V)*C20	FC64D	0.98	0.97	1.01
T*9(C,V)*C20	UC60C	1.00	0.95	1.06
T*9(C,V)*D20	FC/MC/PC60D	1.00	0.93	1.07
T*9(C,V)*D20	FC/MC62D	1.00	0.95	1.05
T*9(C,V)*D20	FC64D	0.98	0.97	1.01
T*9(C,V)*D20	UC60D	1.00	0.95	1.05
TM8X080C16MP11	FC/MC/PC60D	0.98	0.85	1.16
TM8X080C16MP11	FC/MC62D	0.98	0.88	1.11
TM8X080C16MP11	FC/PC60C	0.98	0.85	1.16
TM8X080C16MP11	FC64D	0.98	0.93	1.06
TM8X080C16MP11	UC60C	0.98	0.85	1.16
TM8X080C16MP11	UC60D	0.98	0.85	1.16
TM8X100C16MP11	FC/MC/PC60D	0.98	0.85	1.16
TM8X100C16MP11	FC/MC62D	0.98	0.88	1.11
TM8X100C16MP11	FC/PC60C	0.98	0.85	1.16
TM8X100C16MP11	FC64D	0.98	0.93	1.06
TM8X100C16MP11	UC60C	0.98	0.85	1.16
TM8X100C16MP11	UC60D	0.98	0.85	1.16
TM8X100C20MP11	FC/MC/PC60D	0.98	0.91	1.09
TM8X100C20MP11	FC/MC62D	0.98	0.94	1.05
TM8X100C20MP11	FC/PC60C	0.98	0.90	1.09
TM8X100C20MP11	UC60C	0.98	0.90	1.09
TM8X100C20MP11	UC60D	0.98	0.91	1.09
TM8X120C20MP11	FC/MC/PC60D	0.98	0.91	1.09
TM8X120C20MP11	FC/MC62D	0.98	0.94	1.05
TM8X120C20MP11	FC/PC60C	0.98	0.90	1.09
TM8X120C20MP11	UC60C	0.98	0.90	1.09
TM8X120C20MP11	UC60D	0.98	0.91	1.09
TM9E100C20MP11	FC/MC/PC60D	0.98	0.89	1.10
TM9E100C20MP11	FC/MC62D	0.98	0.93	1.06
TM9E100C20MP11	FC64D	0.98	0.97	1.01
TM9E100C20MP11	UC60D	0.98	0.89	1.10
TM9E120D20MP11	FC/MC/PC60D	0.98	0.89	1.10
TM9E120D20MP11	FC/MC62D	0.98	0.93	1.05

Furnace	Coil	MBH	COP	KW
TM9E120D20MP11	FC64D	0.98	0.96	1.02
TM9E120D20MP11	UC60D	0.98	0.89	1.10
TM9X100C20MP11	FC/MC/PC60D	0.98	0.89	1.10
TM9X100C20MP11	FC/MC62D	0.98	0.93	1.06
TM9X100C20MP11	FC64D	0.98	0.97	1.01
TM9X100C20MP11	UC60D	0.98	0.89	1.10
TM9X120D20MP11	FC/MC/PC60D	0.98	0.89	1.10
TM9X120D20MP11	FC/MC62D	0.98	0.93	1.05
TM9X120D20MP11	FC64D	0.98	0.96	1.02
TM9X120D20MP11	UC60D	0.98	0.89	1.10
TMLX080C16MP11	FC/MC/PC60D	0.98	0.85	1.16
TMLX080C16MP11	FC/MC62D	0.98	0.88	1.11
TMLX080C16MP11	FC/PC60C	0.98	0.85	1.16
TMLX080C16MP11	FC64D	0.98	0.93	1.06
TMLX080C16MP11	UC60C	0.98	0.85	1.16
TMLX080C16MP11	UC60D	0.98	0.85	1.16
TMLX100C16MP11	FC/MC/PC60D	0.98	0.85	1.16
TMLX100C16MP11	FC/MC62D	0.98	0.88	1.11
TMLX100C16MP11	FC/PC60C	0.98	0.85	1.16
TMLX100C16MP11	FC64D	0.98	0.93	1.06
TMLX100C16MP11	UC60C	0.98	0.85	1.16
TMLX100C16MP11	UC60D	0.98	0.85	1.16
TMLX100C20MP11	FC/MC/PC60D	0.98	0.91	1.09
TMLX100C20MP11	FC/MC62D	0.98	0.94	1.05
TMLX100C20MP11	FC/PC60C	0.98	0.90	1.09
TMLX100C20MP11	UC60C	0.98	0.90	1.09
TMLX100C20MP11	UC60D	0.98	0.91	1.09
TMLX120C20MP11	FC/MC/PC60D	0.98	0.91	1.09
TMLX120C20MP11	FC/MC62D	0.98	0.94	1.05
TMLX120C20MP11	FC/PC60C	0.98	0.90	1.09
TMLX120C20MP11	UC60C	0.98	0.90	1.09
TMLX120C20MP11	UC60D	0.98	0.91	1.09
Y*(8,L)C*C20	FC/MC/PC60D	0.99	0.94	1.05
Y*(8,L)C*C20	FC/MC62D	0.99	0.97	1.02
Y*(8,L)C*C20	FC/PC60C	0.99	0.92	1.08
Y*(8,L)C*C20	FC64D	0.98	0.99	0.99
Y*(8,L)C*C20	UC60C	0.99	0.96	1.03
Y*9C*C20	FC/MC/PC60D	1.00	0.93	1.08
Y*9C*C20	FC/MC62D	1.00	0.95	1.06
Y*9C*C20	FC/PC60C	1.00	0.93	1.08
Y*9C*C20	FC64D	0.98	0.97	1.01
Y*9C*C20	UC60C	1.00	0.95	1.06
Y*9C*D20	FC/MC/PC60D	1.00	0.93	1.07
Y*9C*D20	FC/MC62D	1.00	0.95	1.05
Y*9C*D20	FC64D	0.98	0.97	1.01
Y*9C*D20	UC60D	1.00	0.95	1.05