

# WEIL-McLAIN

## WGO SERIES 3 OIL-FIRED NATURAL DRAFT WATER BOILER



**This Manual  
Includes:**

**Installation**

**Start-Up**

**Boiler Parts**



*As an ENERGY STAR Partner, Weil-McLain has determined that this product meets the ENERGY STAR guidelines for energy efficiency*

- Installer:**
- Make sure this is the correct manual for the boiler. Verify boiler model on rating label.
  - Leave all documentation received with boiler and burner with unit for future reference.

**User:** Boiler and burner must be installed and serviced by qualified service technician.

**Part No. 550-141-826/1201**



## Read This Page First

### Hazard Definitions

The following terms are used to bring attention to the presence of hazards of various risk levels or to important information concerning product life.

**DANGER**

Indicates presence of hazards that will cause severe personal injury, death or substantial property damage if ignored.

**WARNING**

Indicates presence of hazards that can cause severe personal injury, death or substantial property damage if ignored.

**CAUTION**

Indicates presence of hazards that will or can cause minor personal injury or property damage if ignored.

**NOTICE**

Indicates special instructions on installation, operation or maintenance that are important but not related to personal injury hazards.

### Symbol Definitions

The following symbols are used to indicate sequence of installation for:



Factory-assembled packaged boiler – block, jacket and controls. Sizes 2 through 6 only.



Factory-assembled block, no burner. Sizes 2 through 6 with jacket installed; water trim controls shipped separately. Sizes 7 through 9 with jacket and water trim controls shipped separately.

### When Calling or Writing About the Boiler

Please have boiler model number and series from boiler rating label and CP number(s) from boiler jacket, burner and controls. On page 24 of this manual is space to list CP number(s).

# Table of Contents

**WARNING**

Read all instructions before installing. Failure to follow all instructions in proper order can cause severe personal injury, death or substantial property damage.

<b>Read This Page First</b>	<b>.2</b>
<b>Table of Contents</b>	<b>.3</b>
<b>Before Installing Boiler</b>	<b>.4-5</b>
<b>Install Packaged Boiler</b>	<b>.6-7</b>
<b>Install Non-Packaged Boiler</b>	<b>.8-11</b>
<b>Connect Breeching</b>	<b>.12-13</b>
<b>Connect Water Piping</b>	<b>.14-18</b>
<b>Connect Wiring</b>	<b>.19-21</b>
<b>Connect Oil Piping</b>	<b>.22</b>
<b>Start-Up</b>	<b>.23</b>
<b>Check-Out Procedure</b>	<b>.24</b>
<b>Installation and Service Certificate</b>	<b>.24</b>
<b>Appendix</b>	<b>.25-27</b>
<b>Parts List</b>	<b>.28</b>
<b>Parts Drawing</b>	<b>.29</b>
<b>Dimensions</b>	<b>.30-31</b>
<b>Ratings</b>	<b>.Back Cover</b>



# Before Installing Boiler

## Installations must comply with:

- U.S.
  - State and local plumbing, heating and electrical codes.
  - National codes where applicable.
- Canada
  - Canadian Standards Association, CSA B139, Installation Code for Oil-Burning Equipment.
  - CSA C22.1 Canadian Electrical Code Part One.
  - Applicable local or provincial codes.

## Before selecting boiler location:

- Check for nearby connections to:
  - System water piping.
  - Chimney. See pages 12-13. Boiler can be top or back vented.
  - Combustion and ventilation air supply. See page 5.
  - Oil supply. See page 22 for oil line routing.
  - Electrical power.
- Check area around boiler. Remove any combustible materials, gasoline and other flammable liquids.

**WARNING** Failure to keep boiler area clear and free of combustible materials, gasoline and other flammable liquids and vapors can result in severe personal injury, death or substantial property damage.

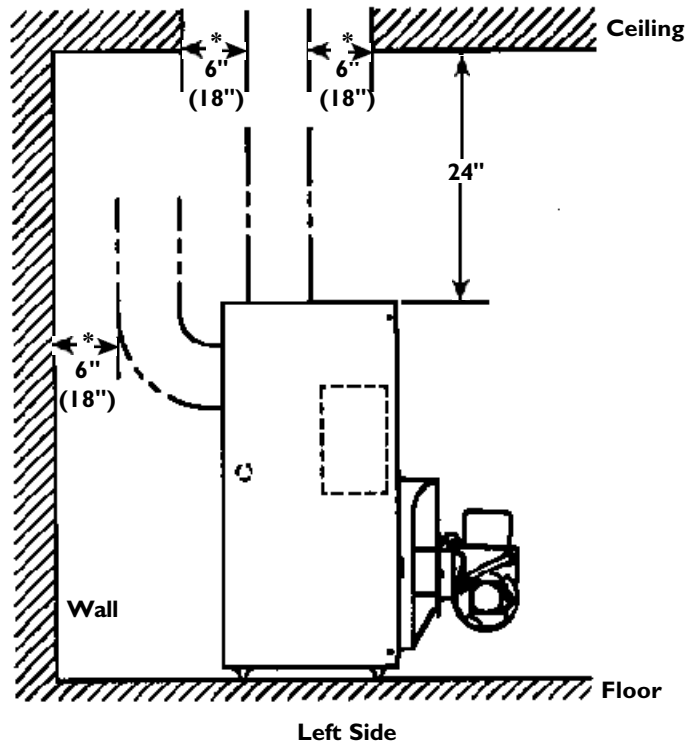
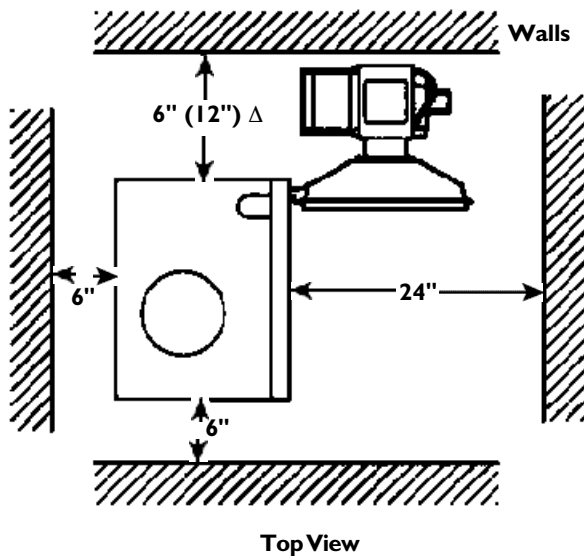
## Provide clearances around boiler (see FIGURE 1):

**NOTICE** Jacket cap must be in place on boiler to avoid requiring an 18" minimum clearance from back or top of boiler to combustible material.

- **Minimum** clearances from vent pipe to combustible material:
  - 6 inches — Type "L" doublewall vent\*
  - 18 inches — Singlewall vent\*

**NOTICE** Flue pipe clearances must take precedence over jacket clearances.

- Recommended **service** clearances:
  - 24 inches — Front and top
  - 6 inches — Left side, back and right side Δ
  - 12 inches — Right side for burner door swing radius Δ
- Special **close** clearances (alcove, closet, under counters, etc.) — see Appendix, pages 25-27.



Recommended Service Clearances  
FIGURE 1



## Provide air for combustion and ventilation:

### WARNING

Adequate combustion and ventilation air:

- Assures proper combustion.
- Reduces risk of severe personal injury or death from possible flue gas leakage and carbon monoxide emissions.

### Do not install exhaust fan in boiler room.

Older buildings with single-pane windows, minimal weather-stripping and no vapor barrier often provide enough natural infiltration and ventilation without dedicated openings.

New construction or remodeled buildings are most often built tighter. Windows and doors are weather-stripped, vapor barriers are used and openings in walls are caulked. As a result, such tight construction is unlikely to allow proper natural air infiltration and ventilation.

Follow state, provincial or local codes when sizing adequate combustion and ventilation air openings. In absence of codes, use the following guidelines when boiler is in a confined room (*defined by NFPA 31 as less than 7200 cubic feet per 1 GPH input of all appliances in area. A room 8 ft. high x 33.5 ft. x 33.5 ft. is 7200 cu. ft.*):

**Provide two permanent openings** — one within 12 inches of ceiling, one within 12 inches of floor. Minimum height **or** length dimension of each rectangular opening should be at least 3 inches.

**When inside air is used** — each opening must freely connect with areas having adequate infiltration from outside. Each opening should be at least 140 sq. in. per 1 GPH input (1 sq. in. per 1000 Btu input) of **all** fuel-burning appliances plus requirements for any equipment that can pull air from room (including clothes dryer and fireplace).

**When outside air is used** — connect each opening directly or by ducts to the outdoors or to crawl or attic space that freely connects with outdoors. Size per below:

- Through outside wall or vertical ducts — at least 35 sq. in. per 1 GPH input (1 sq. in. per 4000 Btu input) of **all** fuel-burning appliances plus requirements for equipment that can pull air from room (including clothes dryer and fireplace).

- Through horizontal ducts — at least 70 sq. in. per 1 GPH boiler input (1 sq. in. per 2000 Btu input) of **all** fuel-burning appliances plus requirements for any equipment that can pull air from room (including clothes dryer and fireplace).
- Where ducts are used, they should have same cross-sectional area as free area of openings to which they connect. Compensate for louver, grille or screen blockage when calculating free air openings. Refer to their manufacturer's instructions for details. If unknown, use:
  - Wood louvers, which provide 20-25% free air.
  - Metal louvers or grilles, which provide 60-75% free air.
 Lock louvers in open position or interlock with equipment to prove open before boiler operation.

### Lay a foundation, if needed:

Boiler may be installed on non-carpeted combustible flooring.

For residential garage installation, install boiler so burner is at least 18 inches above floor to avoid contact with gasoline fumes.

A level concrete or masonry foundation is required when:

- Floor could possibly become flooded.
- Non-level conditions exist.

Solid concrete blocks can be used to create a pad.

**BOILER FOUNDATION SIZE TABLE**

BOILER MODEL	LENGTH INCHES	WIDTH INCHES	MIN. HEIGHT INCHES
WGO-2	14	22	2
WGO-3	17	22	2
WGO-4	17	22	2
WGO-5	20	22	2
WGO-6	23	22	2
WGO-7	26	22	2
WGO-8	29	22	2
WGO-9	32	22	2



Go to page 6 to install boiler



Go to page 8 to install boiler



## Install Packaged Boiler

### Place boiler:

1. Remove circulator strapped to pallet.

**NOTICE**

Circulator will be damaged if not removed before boiler is lifted from pallet.

2. Remove boiler from pallet.

**NOTICE**

Do not drop boiler or bump jacket on floor or pallet. Damage to boiler can result.

**CAUTION**

Smaller sized boilers may be top heavy. Use caution when handling to avoid minor personal injury or property damage.

3. Boiler is shipped for back flue outlet. To change to top flue outlet (see FIGURE 2):
  - a. Remove jacket cap on top of boiler.
  - b. **Loosen** two screws holding flue cap strap to collector hood. Remove strap and flue cap from opening. **Re-tighten** screws.
  - c. Check rope placement inside flue cap.

(Read **WARNING** under step #6 below).

- d. Loosen two screws on back flue outlet. Set flue cap on outlet. Install strap by engaging slots in screws. Tighten screws. Make sure cap is securely installed.
- e. Snap jacket cap in back outlet opening.

**NOTICE**

Jacket cap must be in place on boiler to avoid requiring an 18" minimum clearance from back or top of boiler to combustible material.

4. Check level. Shim legs, if needed.
5. Check for secure placement of insulation on target wall, chamber floor and burner door.
6. Visually check:
  - a. Flue collector hood seal.
  - b. Burner mounting door seal.

**WARNING**

Obtain gas-tight seal to prevent possible flue gas leakage and carbon monoxide emissions, which can lead to severe personal injury or death.

### Perform hydrostatic pressure test:

1. Remove relief valve installed in boiler.
2. Install air vent in "N" tapping on top boiler.
3. Plug supply and return tappings.
4. Drain valve is already factory-installed.
5. Fill boiler. Vent all air. Pressure test boiler at 1½ times working pressure.

**WARNING**

Do not leave boiler unattended. Cold water fill can expand and damage cast iron, resulting in severe personal injury, death or substantial property damage.

6. Check for maintained gauge pressure for more than 10 minutes. Visually check for leaks if gauge pressure drops.
7. Drain boiler. Repair leaks if found.

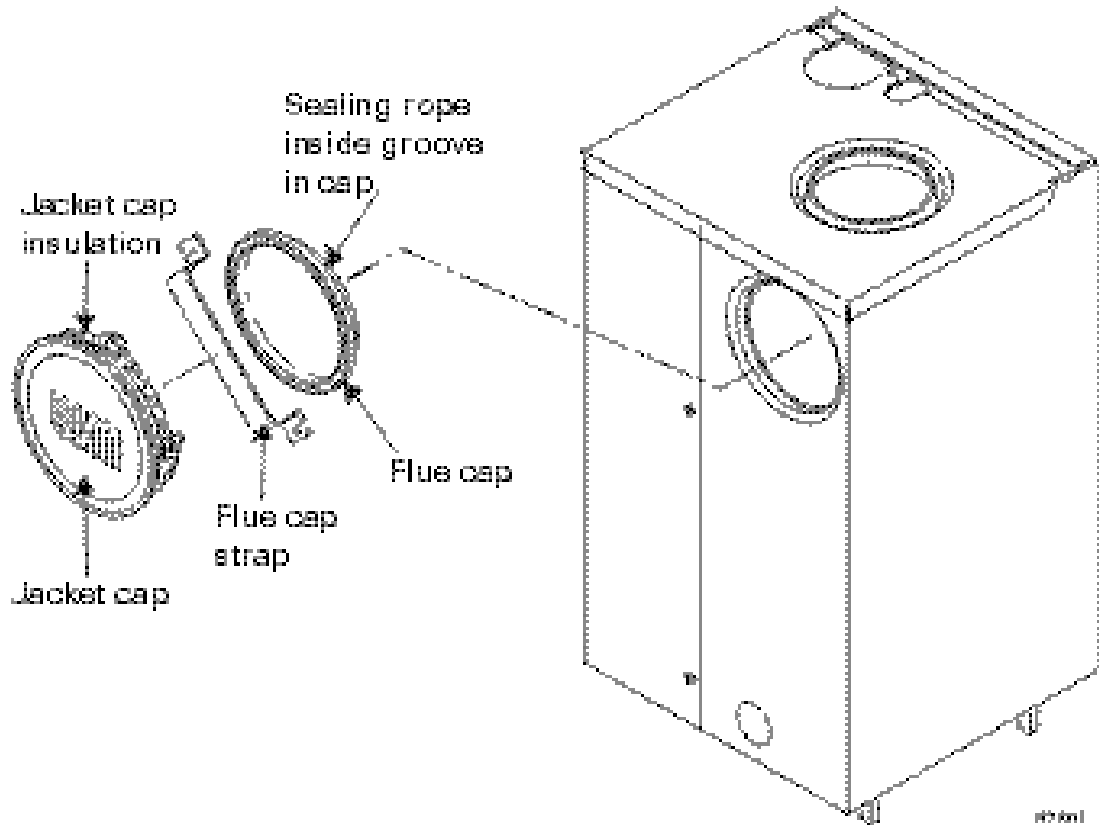
**CAUTION**

Do not use petroleum-based sealing compounds to repair leaks. Damage to system components can result, causing property damage.

8. Retest boiler after repairing leaks.
9. Remove air vent and plugs. Reinstall relief valve.



Go to page 12 to connect breeching and venting



Change From Back Flue Outlet to Top Flue Outlet (Optional)  
FIGURE 2



## Install Non-Packaged Boiler

### Fiberglass wool and ceramic fiber materials:

#### WARNING

- POSSIBLE CANCER HAZARD BY INHALATION
- CAN CAUSE RESPIRATORY, SKIN AND EYE IRRITATION

This product contains fiberglass wool and ceramic fiber materials. Airborne fibers from these materials have been listed by the State of California as a possible cause of cancer through inhalation. Apply special care when handling ceramic fiber (chamber lining and base insulation) materials. Ceramic fibers can be converted to chrysothalites, a substance listed as a probable cause of cancer.

Suppliers of fiberglass wool products recommend the following precautions be taken when handling these materials:

#### Precautionary measures:

- Avoid breathing fiberglass dust and contact with skin and eyes.
- Use NIOSH approved dust/mist respirator.
- Wear long-sleeved, loose fitting clothing, gloves and eye protection.
- Wash work clothes separately from other clothing. Rinse washer thoroughly.
- Operations such as sawing, blowing, tearout and spraying may generate airborne fiber concentration requiring additional protection.

#### First aid measures:

- Eye contact — Flush eyes with water to remove dust. If symptoms persist, seek medical attention.
- Skin contact — Wash affected areas gently with soap and warm water after handling.

### Place boiler:

1. **Non-Packaged WGO-2 through 6** — position on site.

#### CAUTION

Smaller sized boilers may be top heavy. Use caution when handling to avoid minor personal injury or property damage.

- a. Boiler is shipped for back flue outlet. To change to top flue outlet (see FIGURE 3):
  - 1) **Loosen** two screws holding flue cap strap to collector hood. Remove strap and flue cap from opening.  
**Re-tighten** screws.
  - 2) Check rope placement inside flue cap.

(Read **WARNING** under Step #3 on page 9.)

- 3) Loosen two screws on back flue outlet. Set flue cap on outlet. Install strap by engaging slots in screws. Tighten screws. Make sure cap is securely installed.

2. **Non-Packaged WGO-7, 8 & 9** — split the assembled block for easier handling (see FIGURE 3):

- a. Open burner mounting door and, using utility knife, slit floor insulation at joint to be separated.
- b. Remove 5½" draw rod and the longest draw rod from each side. Pull block apart. Save draw rods, nuts, washers and sealing rings for reassembly.
- c. Move divided block to location.
- d. Clean port openings with clean rag.

#### CAUTION

Do not use petroleum-based compounds to clean openings. Damage to system components can result, causing property damage.

- e. Place rings in port openings. If ring slips out of groove, stretch ring gently for several seconds, then place in groove.
- f. Position sections so aligning lugs fit into sockets of next section. Make sure sealing rope is in good condition and in position.
- g. Oil threads on draw rods. Install washer and nut on end to be tightened. Use nut only on other end.
- h. With wrench at washer/nut end, uniformly tighten nuts starting with 5½" rod at large port, 5½" rod at small port, bottom long rod and finally top long rod.
- i. Torque on both 5½" rods and bottom long rod should be 50-60 ft. lbs; long top rod should be 20-25 ft. lbs. Do not back-off nuts.
- j. **Metal-to-metal contact should be made around port openings.** If gap does exist, it should be less than .020". Check with feeler gauge.
- k. If gap around port openings exceeds .020", check for dirt on port openings, sockets or misaligned lugs. If corrections are made and gap still exists, contact your Weil-McLain distributor or sales office before continuing installation.



3. **Non-Packaged WGO-7, 8 & 9** — install flue collector hood (see FIGURE 3):

**WARNING**

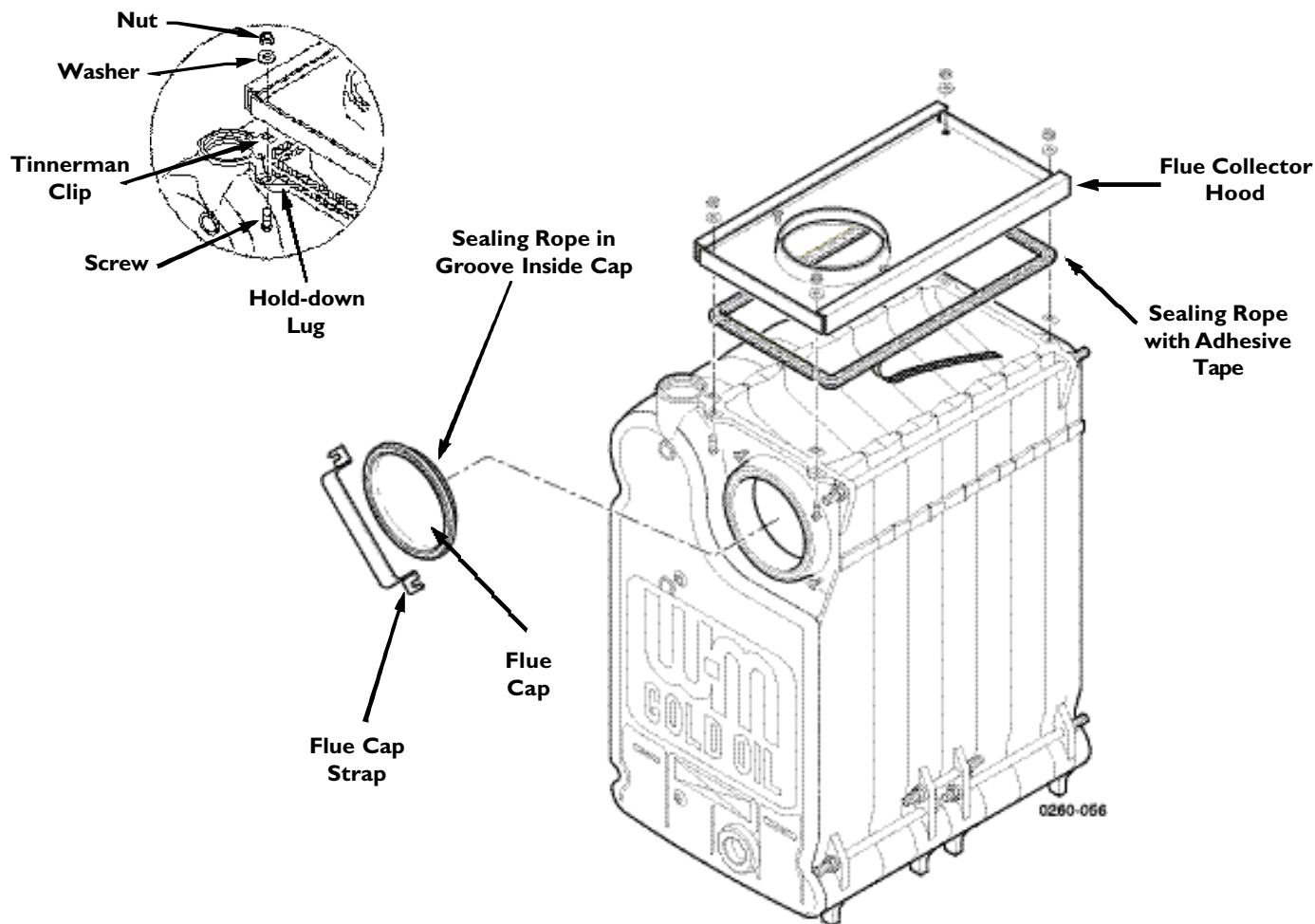
Obtain gas-tight seal to prevent possible flue gas leakage and carbon monoxide emissions, leading to severe personal injury or death.

- Thread tinnerman clip on screw so that clip fits snugly in notch of hold-down lug. Screw must not turn.
- Remove paper on sealing rope. Starting at back section near flue collar, position sealing rope around top of block with adhesive side to sections. Do not stretch rope. Make sure rope ends meet. Trim excess rope.
- Position flue collector hood on top of boiler sections and over screws and clips as shown in FIGURE 3.

- Install washers and nuts. Tighten nuts until collector hood makes contact with tinnerman clip.
- Back flue outlet boiler** — Position flue cap and strap over opening in flue collector hood. Make sure rope in cap is in place and in good condition. Tighten strap to hood with screws provided.

**Top flue outlet boiler** — Position flue cap and strap over opening in back section. Make sure rope in cap is in place and in good condition. Tighten strap to boiler with screws provided in section. Install remaining screws in holes in flue collector hood.

- Check level. Shim legs, if needed.



Change From Back Flue Outlet to Top Flue Outlet (Optional)  
**FIGURE 3**



# Install Packaged and Non-Packaged Boiler

## Perform hydrostatic pressure test:

1. See FIGURE 4 and Control Tapping Table below to install:
  - a. Boiler drain.
  - b. Water pressure gauge (test only). Be sure gauge can handle test pressure.
  - c. Air vent in upper "N" tapping.
  - d. Plugs in remaining tappings.
2. Fill boiler. Vent all air. Pressure test boiler at 1 times working pressure. For boilers split and reassembled, test between 75 and 85 psig.

**WARNING** Do not leave boiler unattended. Cold water fill could expand and damage cast iron, resulting in severe personal injury, death or substantial property damage.

3. Check for maintained gauge pressure for more than 10 minutes. Visually check for leaks if gauge pressure drops.
4. Drain boiler. Repair leaks if found.

**CAUTION** Do not use petroleum-based compounds to repair leaks. Damage to system components can result, causing property damage.

5. Re-test boiler after repairing leaks.
6. Remove pressure gauge, air vent and plugs from tappings used for controls.

7. Visually check:
  - a. Sealing rope placement.
  - b. Metal-to-metal contact around port openings.
  - c. Flue collector hood seal.
  - d. Burner mounting door seal.

**WARNING** Obtain gas-tight seal to prevent possible flue gas leakage and carbon monoxide emissions, which can lead to severe personal injury or death.

## Install jacket (sizes 7 through 9 only):

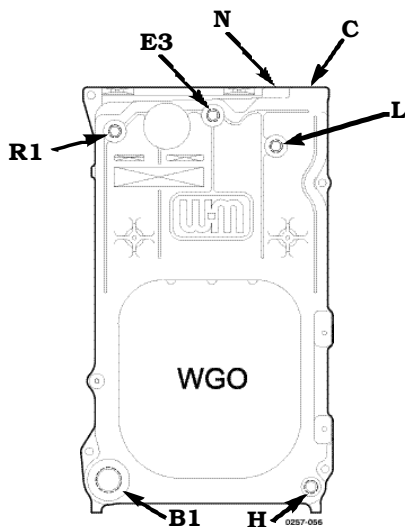
Before installing jacket, remove burner mounting door. See jacket instructions for details.

## Install boiler controls:

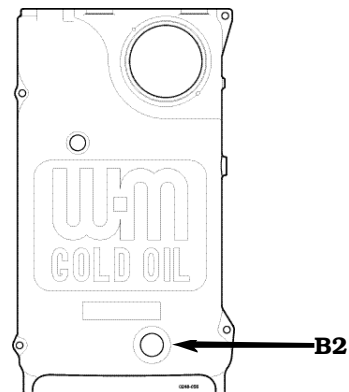
See Control Tapping Table and FIGURES 4 and 5 to install controls.

1. Install limit control. If not furnished, use high limit with maximum 220°F setting.
2. Affix CP number label(s) on jacket front panel.

CONTROL TAPPING TABLE		
LOCATION	SIZE	FUNCTION
B1	1 1/2"	Return Piping
B2	1 1/2"	Alternate Return Piping for A/B WGO
C	1 1/2"	Supply Piping
E3	3/4"	Pressure-Temperature Gauge
H	3/4"	Drain Valve
L	3/4"	High Limit Control
N	1/2"	Air Vent or Expansion Tank Piping
R1	3/4"	Relief Valve



Front Section



Back Section

Control Tapping Location  
FIGURE 4

# Install Packaged and Non-Packaged Boiler



## Install burner (also refer to instructions packed with burner):

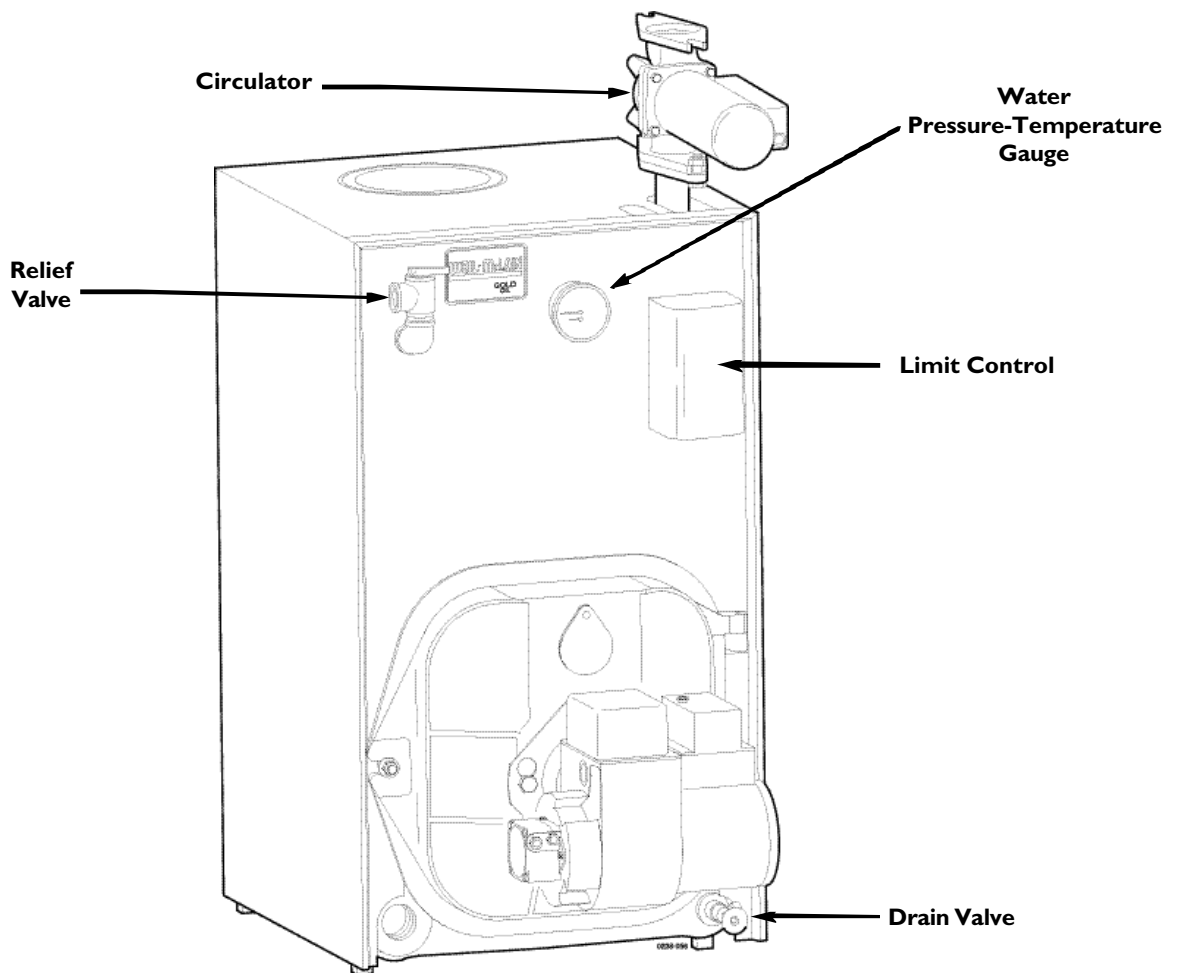
### NOTICE

Burners designed for use with Weil-McLain 68 boilers **must not** be used on GOLD Oil boilers. Contact individual burner manufacturers for GOLD Oil applications.

For **P-WGO** and **A-WGO** boiler:

1. Secure universal mounting flange and gasket to burner mounting door. Use three bolts provided.
2. Secure burner on flange with three bolts.
3. Position burner so end of air tube is level to  $1\frac{1}{2}^\circ$  tilt downward. Open door to verify burner position. End of air tube should be flush to  $\frac{1}{4}$ " recessed

from inside wall of burner door refractory. Check for secure placement of insulation on target wall, chamber floor and burner mounting door. Securely close door with nut.



Water Boiler Controls  
FIGURE 5





# Connect Breeching

## General chimney requirements:

- Designed for natural draft firing. Connect boiler to vertical chimney.

### **DANGER**

Insufficient draft can cause flue gas leakage and carbon monoxide emissions, which will lead to severe personal injury or death.

- Use vent material approved by local codes for oil-fired burners. In their absence, refer to:
  - NFPA 31, Installation of Oil-Burning Equipment.
  - NFPA 211, Standard for Chimneys, Fireplaces, Vents and Solid Fuel Burning Appliances.
  - In Canada, refer to CSA B139, Installation Code for Oil-Burning Equipment.
- NFPA 211 requires chimney to be lined before connected to boiler.

### **DANGER**

Inspect existing chimney before installing new boiler. Failure to do any of the following will result in severe personal injury or death:

- Clean chimney, including removal of blockage.
- Repair or replace damaged pipe or liner.
- Repair mortar and joints.

To prevent downdrafts, extend chimney at least 3 feet above highest point where it passes through roof and 2 feet higher than any portion of building within 10 feet. Increase chimney cross-sectional area and height at least 4% per 1,000 feet above sea level.

- Minimum clearances from vent pipe to combustible material:
  - 6 inches — Type “L” doublewall vent
  - 18 inches — Singlewall vent
- Minimum chimney sizes should be used.

### **NOTICE**

Oversized chimneys, outside masonry chimneys and/or derated inputs can result in condensation in chimney.

### MINIMUM CHIMNEY SIZE TABLE

BOILER MODEL NUMBER	*** MINIMUM BREECHING DIAMETER	MINIMUM I=B=R CHIMNEY SIZE		MINIMUM CHIMNEY HEIGHT
		RECT.	ROUND	
WGO-2	5"	8" x 8"	6"	15'
WGO-3				
WGO-4				
WGO-5	6"	*		
WGO-6	7"	8" x 8"	7"	15'
WGO-7				
WGO-8	7"	8" x 12"	7"	20'
WGO-9				

\* 6¾" x 6¾" inside liner

\*\* 6½" x 10½" inside liner

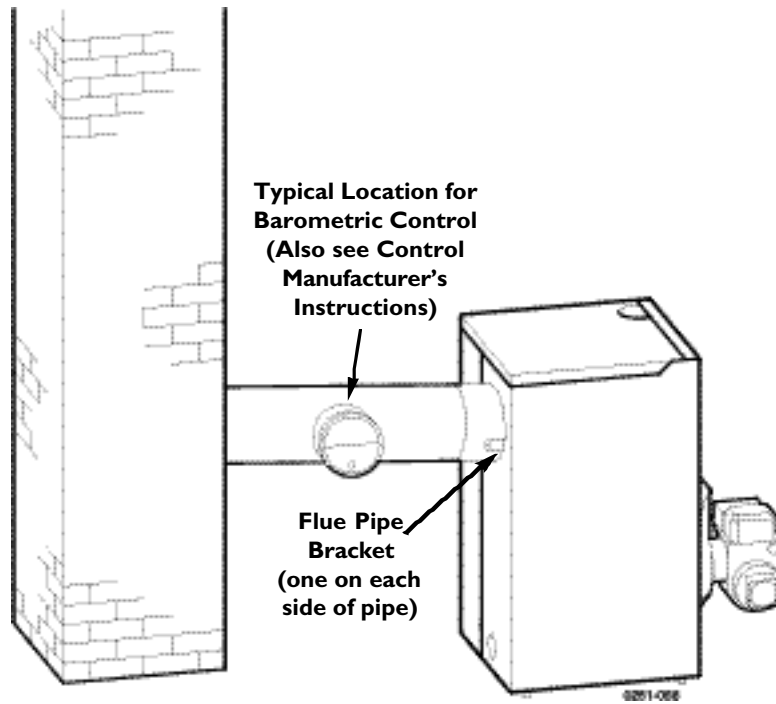
\*\*\* Flue collar on boiler is 7" diameter

## Connect breeching:

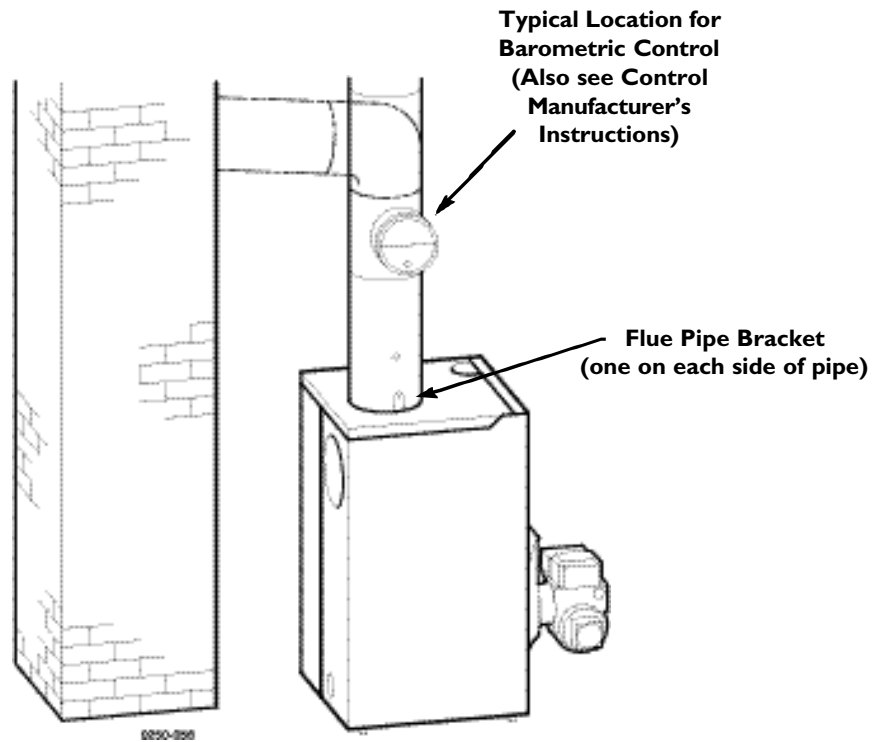
### **WARNING**

Long horizontal breechings, excessive number of tees and elbows or other obstructions restricting combustion gas flow can result in possibility of condensation, flue gas leakage and carbon monoxide emissions, which can lead to severe personal injury or death.

- Install 2 flue pipe brackets.
- Connect full-sized breeching when possible. See Minimum Chimney Size Table.
  - Back outlet — see FIGURE 6.
  - Top outlet — see FIGURE 7.
- Connection must be made above bottom of chimney to avoid blockage. Breeching must not enter chimney far enough to cause obstruction. Use thimble or slip joint where breeching enters chimney to allow removal for cleaning.
- When burner and boiler are properly installed, draft overfire will be approximately -0.01" to -0.02" W.C. Install barometric control in breeching, per control manufacturer's instructions, when excess draft needs to be relieved or to comply with applicable codes and regulations. Use draft gauge to adjust proper opening.
- An induced draft fan for the chimney may be necessary if:
  - Excessive resistance to flow of combustion gases can be expected.
  - Cross-sectional area of chimney is smaller than minimum recommended.
  - Chimney height is less than recommended.
 Seal all vent joints. Interlock burner with fan operation.



Back Outlet Breeching Connection  
FIGURE 6



Top Outlet Breeching Connection  
FIGURE 7



# Connect Water Piping

## General piping information:

- If installation is to comply with ASME or Canadian requirements, an additional high temperature limit is needed. Install control in supply piping between boiler and isolation valve. Set control to a minimum of 20°F above set point of combination control. Maximum allowable set point is 220°F. Wire control as shown on wiring diagram.
- Use a low water cutoff device when:
  - Boiler is installed above radiation level.
  - Required by certain state or local codes or insurance companies.
 Use low water cutoff designed for water installations. Probe-type is recommended. Purchase and install in tee in supply line above boiler.
- Use backflow check valve in cold water supply as required by local codes.

## Install piping:

- See FIGURE 8 or 9 on page 15 and Water Piping Size Table at right for near-boiler piping and single-zone piping. See page 16 to complete multiple-zone piping or page 17 to complete piping for systems operating below 140°F.

*For multiple-boiler piping, refer to Weil-McLain's "Primary/Secondary Piping Guide" and "M-WGO Multiple Boiler Manual."*

- Install relief valve vertically in "R1" tapping on front of boiler. See FIGURE 8 or 9 and also refer to tag attached to relief valve for manufacturer's instructions.

### WARNING

Pipe relief valve discharge line near floor close to floor drain to eliminate potential of severe burns. Do not pipe to any area where freezing could occur. Do not plug, valve or place any obstruction in discharge line.

## DIAPHRAGM expansion tank (FIGURE 8):

- Make sure expansion tank size will handle boiler and system water volume and temperature. Tank must be located near boiler before inlet to circulator. See tank manufacturer's instructions for details.

### CAUTION

Undersized expansion tanks cause system water to be lost from relief valve and makeup water added through fill valve. Eventual section failure can result.

- Install automatic air vent in "N" tapping as shown in FIGURE 8.

## CLOSED expansion tank (FIGURE 9):

- Ensure expansion tank size will handle boiler and system water volume and temperature.

### CAUTION

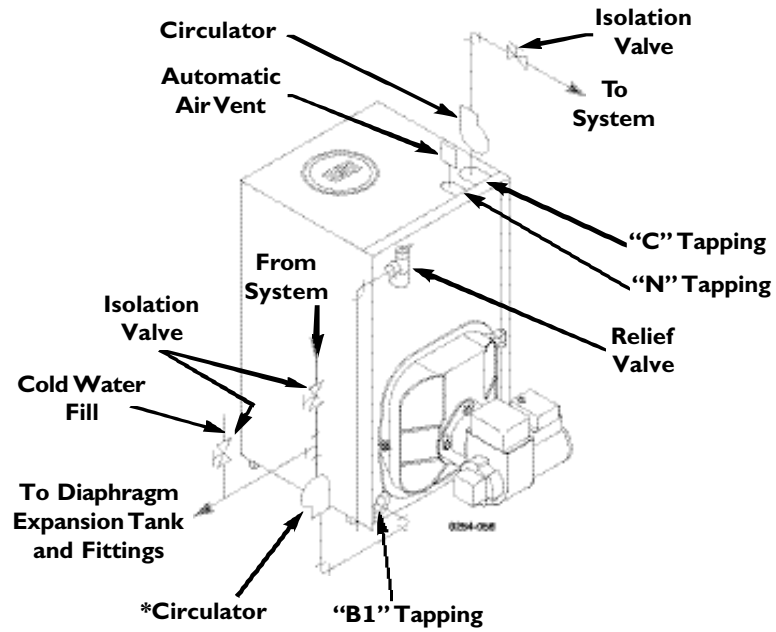
Undersized expansion tanks cause system water to be lost from relief valve and makeup water added through fill valve. Eventual section failure can result.

- Connect tank from "N" tapping shown in FIGURE 9 to expansion tank. Use ½" N.P.T. piping. Pitch any horizontal piping up towards tank 1 inch per 5 feet of piping.

**WATER PIPING SIZE TABLE \***

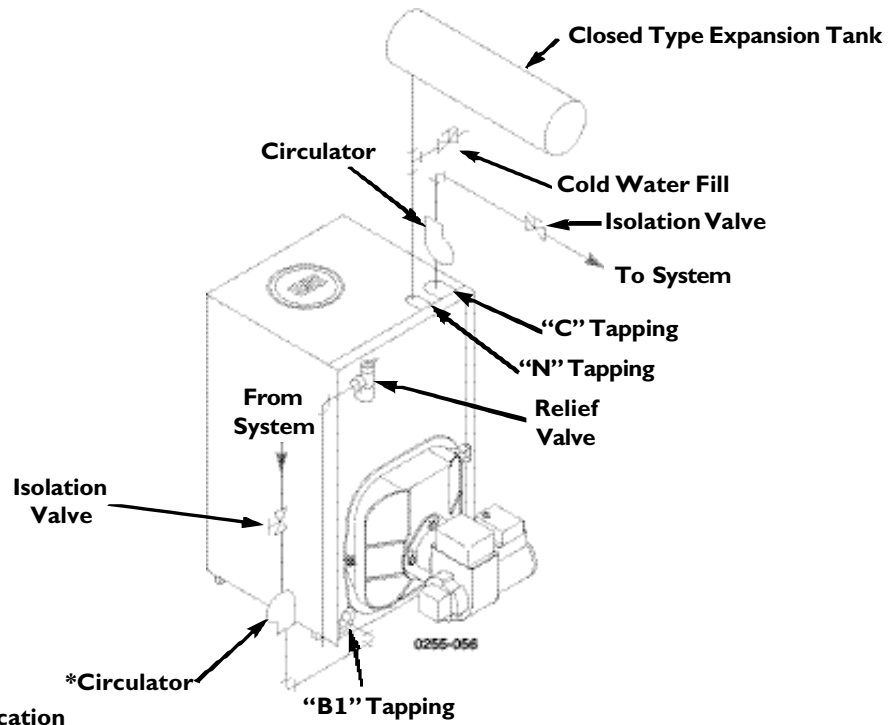
BOILER MODEL NUMBER	TO SYSTEM	FROM SYSTEM
WGO-2	1"	1"
WGO-3	1¼"	1¼"
WGO-4	1¼"	1¼"
WGO-5	1½"	1½"
WGO-6	1½"	1½"
WGO-7	1½"	1½"
WGO-8	2"	2"
WGO-9	2"	2"

\* All piping sizes based on 20°F temperature rise through boiler.



\*Alternate Pump Location

Piping with DIAPHRAGM Expansion Tank  
FIGURE 8



\*Alternate Pump Location

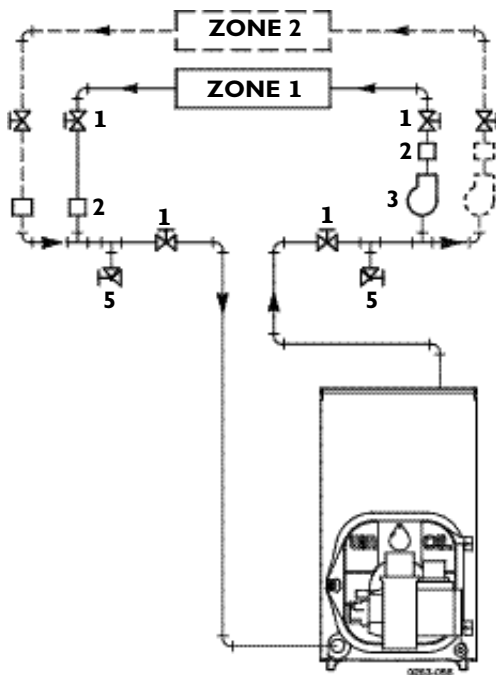
Piping with CLOSED Expansion Tank  
FIGURE 9

## Piping MULTIPLE ZONES:

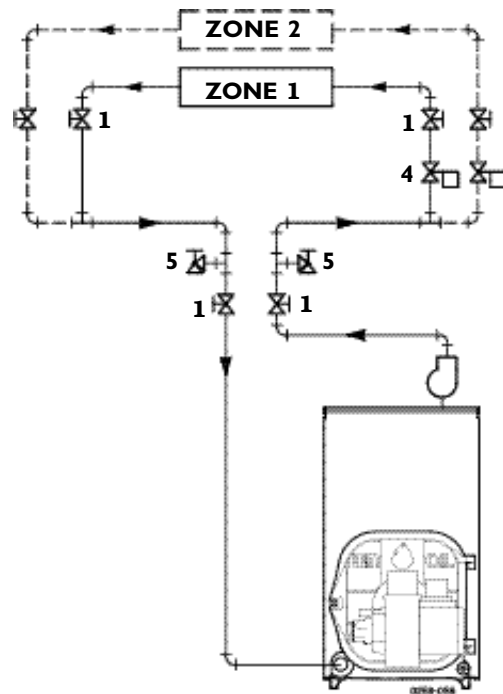
1. Follow instructions on page 14 and 15 to install piping near boiler.
2. See FIGURE 10 or 11 to complete installation
3. **Zoning with circulators:**
  - a. Size each circulator to individual circuit requirements.
  - b. Remove circulator (when furnished as standard equipment).
  - c. Install balancing valves to adjust flow to distribute heat to all zones.
  - d. Separate relay is required for each circulator.
4. **Zoning with zone valves:**
  - a. Install balancing valves to adjust flow to distribute heat to all zones.
  - b. Separate transformer is required to power zone valves. Refer to "Weil-McLain Zone Valve Wiring Guide" for details.

### Legend:

- 1 Isolation valve
- 2 Flow control valve
- 3 Circulator
- 4 Zone valve
- 5 Drain valve



Multiple Zoning With CIRCULATORS  
FIGURE 10



Multiple Zoning With ZONE VALVES  
FIGURE 11



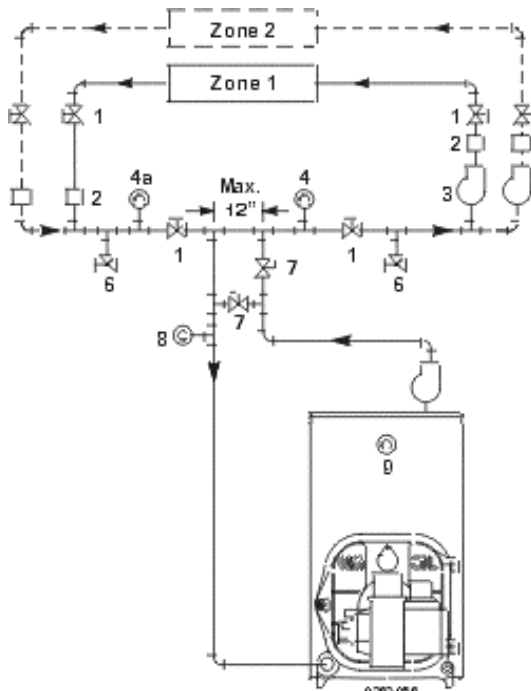


## Piping for systems requiring temperatures below 140°F:

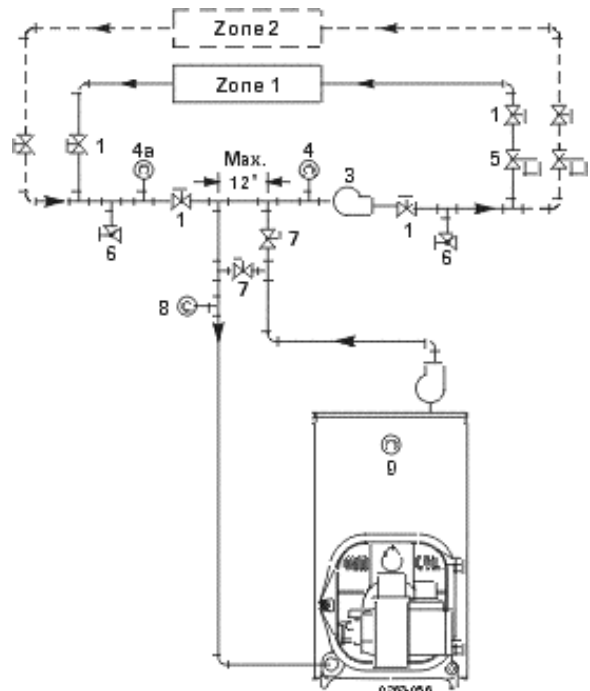
In most systems, this type of piping is not required. If system water temperature requirements are less than 140°F, such as radiant panels or converted gravity systems, use piping as shown in FIGURE 12 or 13. If system piping is plastic without an oxygen barrier, a heat exchanger must be used.

### Legend:

- 1 Isolation valve
  - 2 Flow control valve
  - 3 Circulator
  - 4 System temperature gauge
  - 5 Zone valve
  - 6 Drain valve
  - 7 System temperature valves
- Adjust valves so that:
- the temperature at gauge 8 is at least 140°F
  - the temperature at gauge 9 is at least 160°F
- 8 Blend temperature gauge
  - 9 Boiler temperature gauge



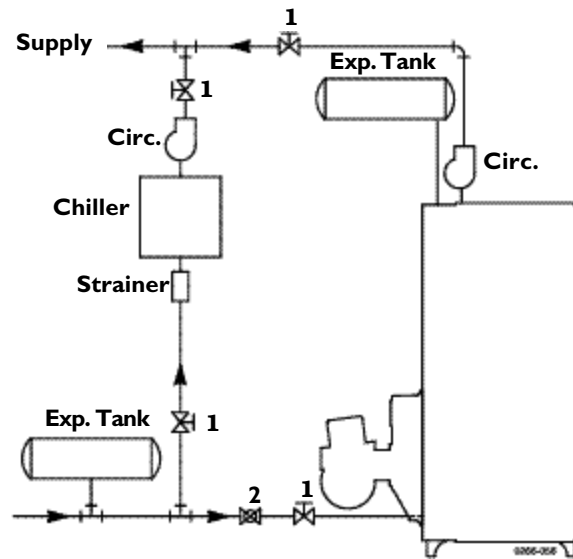
Piping with CIRCULATORS  
FIGURE 12



Piping with ZONE VALVES  
FIGURE 13

**Use with refrigeration systems:**

- Install boiler so that chilled medium is piped in parallel with heating boiler. Use appropriate valves to prevent chilled medium from entering boiler. Consult I=B=R Installation and Piping Guides.
- If boiler is connected to heating coils located in air handling units where they can be exposed to refrigerated air, use flow control valves or other automatic means to prevent gravity circulation during cooling cycle.



- 1 Isolation valve
- 2 Balancing valve

Use with Refrigeration System  
**FIGURE 14**



## General wiring requirements:

**WARNING** Electric shock hazard. Can cause severe personal injury or death if power source, including service switch on boiler, is not disconnected before installing or servicing.

- Installations must follow these codes:
  - National Electrical Code, ANSI/NFPA 70, latest edition and any additional national, state or local codes.
  - In Canada, CSA C22.1 Canadian Electrical Code Part 1 and any local codes.
- Wiring must be N.E.C. Class 1. If original wire as supplied with boiler must be replaced, type 105°C wire or equivalent must be used. Supply wiring to boiler and additional control wiring must be 14 ga. or heavier.
- Provide electrical ground at boiler as required by codes.

## Thermostat wiring:

- Install thermostat on inside wall away from influences of drafts, hot or cold water pipes, lighting fixtures, television, sun rays or fireplaces.
- Follow instructions with thermostat. If it has a heat anticipator, set heat anticipator in thermostat to match power requirements of equipment connected to it. Boiler wiring diagrams give setting for standard equipment.

## Junction box (furnished):

- Junction box houses electrical connections for all boiler components.
- “P” boilers have harnesses furnished.
- “A” boilers are furnished with burner and limit harnesses.
- All field-provided high voltage wiring must be sheathed in flexible metal conduit.
- Connect incoming line voltage “HOT” wire to service switch, and neutral wire to white wire. Field-install equipment ground wire to green wire with wire nut.
- Service switch (15 amp) is provided with boiler. “A” boilers — install switch as shown.
- Some local codes may require an emergency shut-off switch installed at a location away from boiler. Follow local codes.

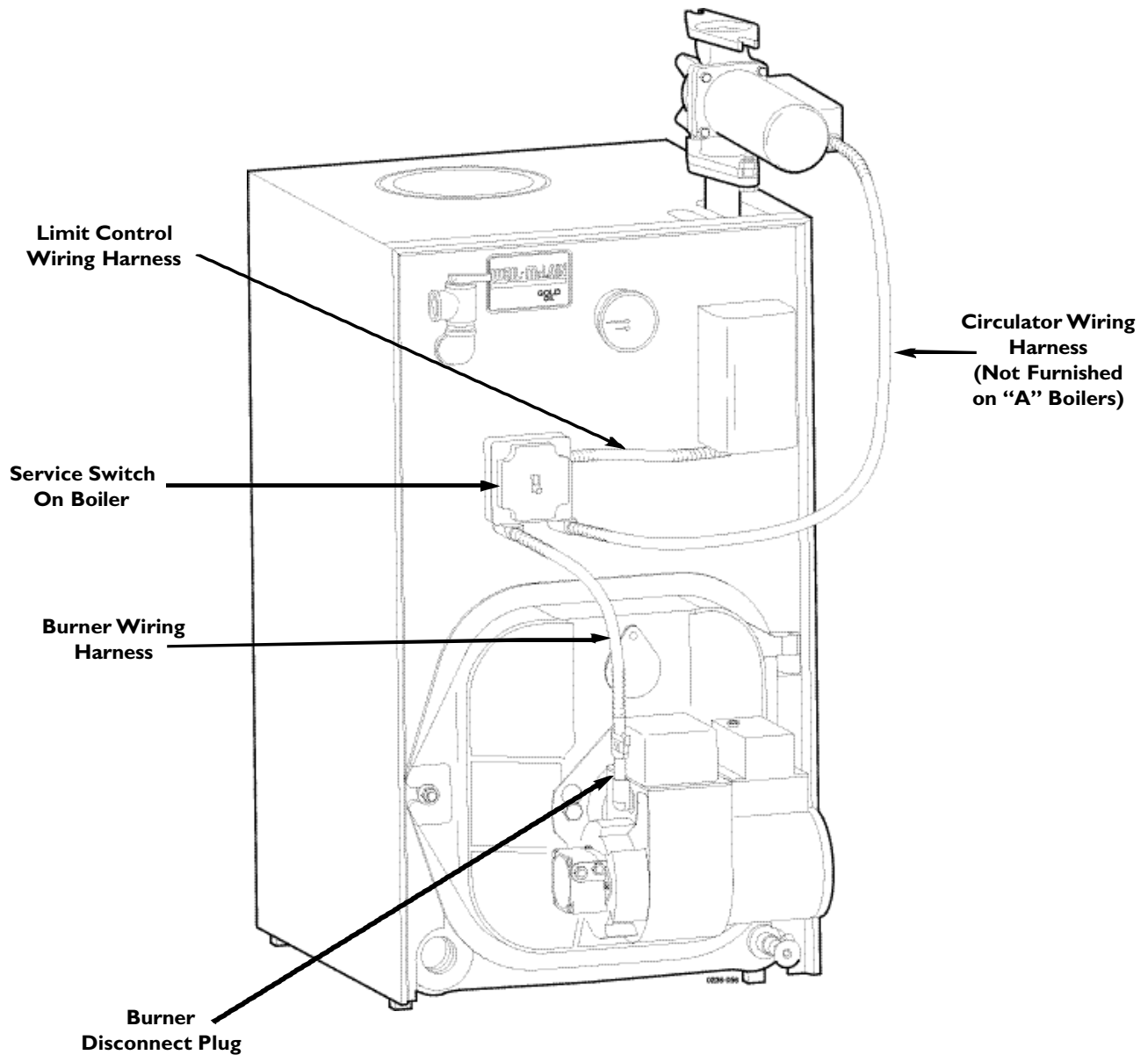
## Burner wiring:

- Burner harness incorporates a disconnect plug, providing a convenient way to disconnect wiring when burner mounting door is opened.
- All “P” boilers have a power disconnect plug installed on burner.
- On “A” boilers, mount the plug (provided in water trim carton) on the burner housing as shown in FIGURE 15. For Carlin burners, screw burner plug into threaded conduit coupling, then mount this assembly to the burner housing using the chase nipple. Route wires through housing and make connections in burner junction box as shown in boiler wiring diagram.

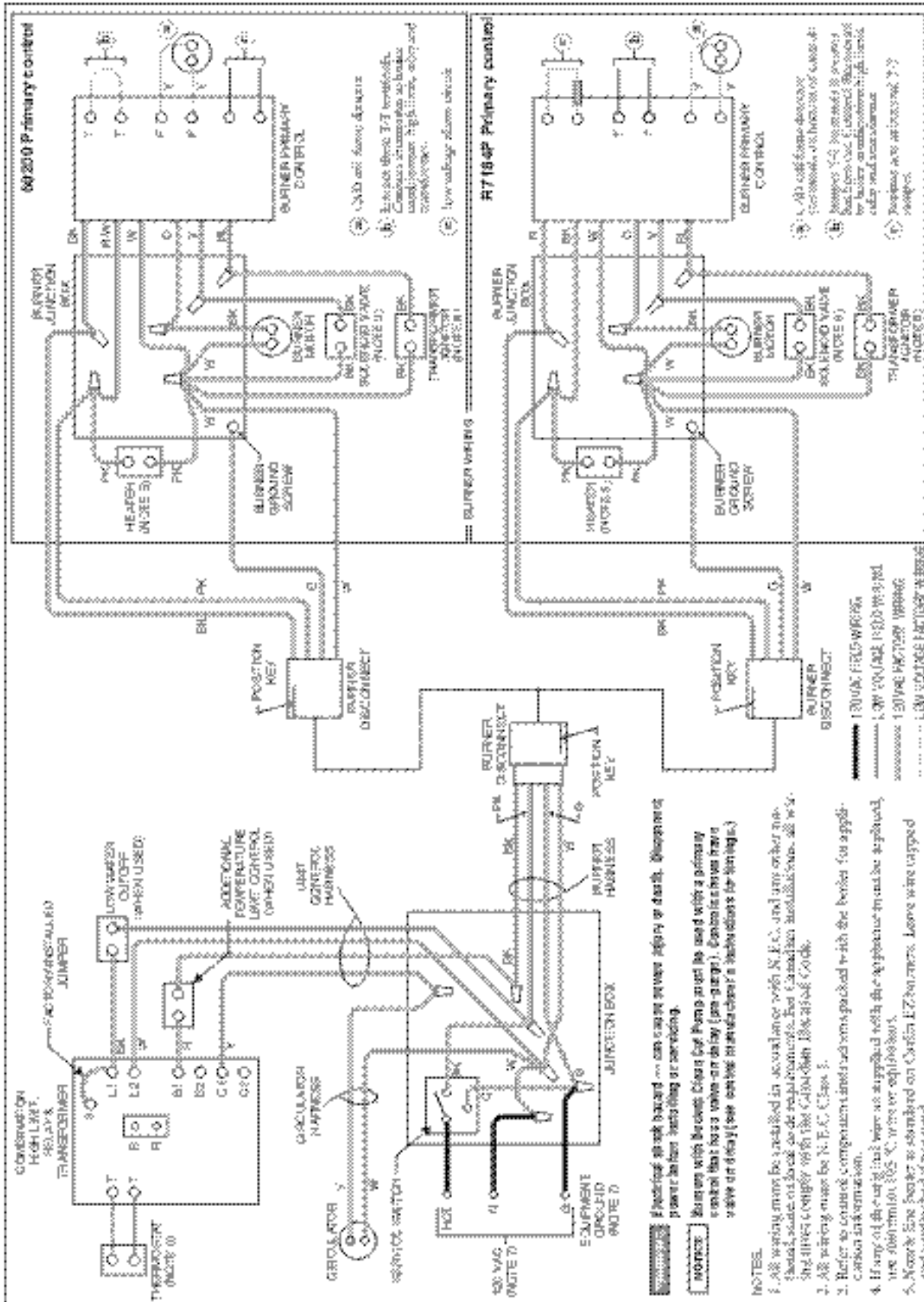


# Connect Wiring

CONTINUED



Boiler Wiring for Forced Hot Water  
FIGURE 15



## WGO Oil-Fired Boiler Wiring Diagram

• Water without tankless heater



WEL-MILAN 2009 Ave St. Michigan City, IN 46340-0208  
PART NUMBER G.O.-A034-B/1201



## Connect Oil Piping

### General oil piping requirements:

- Location and installation of oil tanks, oil piping and burners must follow:
  - NFPA 31, Standard for the Installation of Oil-Burning Equipment.
  - In Canada, CSA B139, Installation of Oil-Burning Equipment.
  - Local codes and regulations.
  - Information provided with burner and fuel pump.
- If any part of fuel oil tank is above level of burner, an anti-siphon device must be used to prevent flow of oil in case of oil line break.
- Support oil lines as required by codes.
- Make tank connections with swing joints or copper tubing to prevent breaking in case the tank settles. Make swing joints so they will tighten as tank settles. Non-hardening pipe joint compounds should be used on all threads.

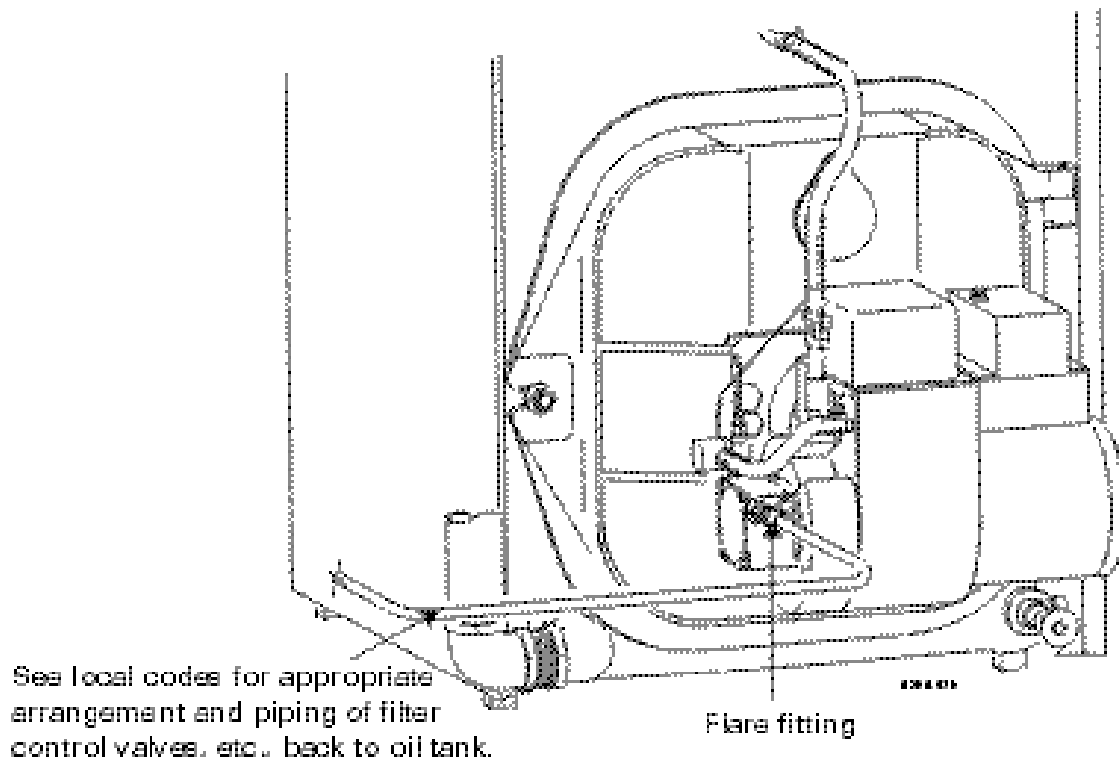
### WARNING

Do not use Teflon tape as an oil pipe sealant. It can cause valves to fail, creating hazards. Do not use compression fittings.

- Underground pipe must be run in a casing to prevent oil leaking into ground or under floor. Check local codes for information.

### Oil piping connection at burner:

See FIGURE 16 for recommended connection at burner, allowing burner mounting door to swing open completely for servicing.



Recommended Oil Piping Connection to Burner  
FIGURE 16

# Start-Up



## DANGER

Follow information below to prevent severe personal injury, death or substantial property damage:

- Do not use gasoline crankcase drainings or any oil containing gasoline. See burner manual for proper fuel oil.
- Do not attempt to start burner when excess oil has accumulated, when unit is full of vapor or when combustion chamber is very hot.
- Do not start burner unless collector hood, flue cap, jacket cap, breeching and burner mounting door are secured in place.
- Never burn garbage or paper in the boiler.
- Never leave combustible material around it.

## Fill the system:

1. Close manual and automatic air vents and boiler drain cock.
2. Fill to correct system pressure. Correct pressure will vary with each installation. Normal cold water fill pressure for residential systems is 12 psig. Boiler water pH 7.0 to 8.5 is recommended.

## NOTICE

Failure to maintain recommended pH level can cause section failure and leaks.

3. Open automatic air vent one turn.
4. Open other vents.
  - a. Starting on the lowest floor, open air vents one at a time until water squirts out. Close vent.
  - b. Repeat with remaining vents.
5. Refill to correct pressure.

## Tips for water systems:

- Check boiler and system piping for leaks. Continual makeup water will reduce boiler life. Minerals can build up in sections, reducing heat transfer and causing cast iron to overheat, resulting in section failure.

## CAUTION

Failure to maintain recommended pH and repair leaks can cause section iron corrosion, leading to section failure and leaks. Do not use petroleum-based sealing or stop-leak compounds in boiler systems. Damage to system components can result.

- For pH conditions outside 7.0 to 8.5 range or unusually hard water areas (above 7 grains hardness), consult local water treatment company.

- When using antifreeze:

## WARNING

Do not use automotive, ethylene glycol, undiluted or petroleum-based antifreeze. Severe personal injury, death or substantial property damage can result.

- Use antifreeze especially made for hydronic systems. Inhibited propylene glycol is recommended.
- 50% solution provides protection to about -30°F. Do not exceed 50% mixture.
- Local codes may require back-flow preventer or actual disconnect from city water supply.
- Determine quantity according to system water content. Boiler water content is listed on back cover of manual. Percent of solution will affect sizing of heat distribution units, circulator and expansion tank.
- Follow antifreeze manufacturer's instructions.

## To place in operation:

1. Verify boiler is filled with water.
2. Open burner mounting door and verify rear target wall, floor and burner door insulations are in proper position.
3. Verify burner mounting door is closed tightly and burner wiring harness is connected to junction box.
4. Factory burner adjustment and settings may not be suitable for specific job conditions. See Appendix, page 25.

## WARNING

Make final burner adjustments using combustion test equipment to assure proper operation. Do not fire boiler without water. Sections will overheat, damaging boiler and resulting in substantial property damage.

5. Vent air from system. Repeat steps 4 and 5 under "Fill the system." Air in system can interfere with water circulation and cause improper heat distribution.
6. Check boiler and system piping for leaks. See "Tips for water systems."
7. Inspect breeching and venting for proper operation.

For additional information, refer to instructions packed with boiler or burner:

- **Burner Manual**
- **Maintenance and Service Guide for GOLD Oil Water Boilers**



# Check-Out Procedure

## Check off steps as completed:

- 1. Boiler and heat distribution units filled with water?
- 2. Automatic air vent, if used, opened one full turn?
- 3. Air purged from system? Piping checked for leaks?
- 4. Air purged from oil piping? Piping checked for leaks?
- 5. Flue cap in place and tightened? Burner door closed, sealed and nut tight? Burner plugged in and service switch on?
- 6. Proper draft and burner flame? Final adjustment made with combustion test equipment?
- 7. Test limit control: While burner is operating, move indicator on limit control below actual boiler water temperature. Burner should go off while circulator continues to operate. Raise setting on limit control above water temperature and burner should re-ignite.

**WARNING**

Obtain gas-tight seal to prevent possible flue gas leakage and carbon monoxide emissions, leading to severe personal injury or death.

- 8. Test additional field-installed controls: If boiler has a low water cutoff, additional high limit or other controls, test for operation as outlined by manufacturer. Burner should be operating and should go off when controls are tested. When controls are restored, burner should re-ignite.
- 9. Limit control set to system temperature requirements (max. 220°F)?
- 10. For multiple zones, flow adjusted to distribute heat in all zones?
- 11. Thermostat heat anticipator setting (if available) set properly? Refer to "Connect wiring," page 19.
- 12. Boiler cycled with thermostat? Raise to highest setting and verify boiler goes through normal start-up cycle. Lower to lowest setting and verify boiler goes off.
- 13. Observed several operating cycles for proper operation?
- 14. Set room thermostat(s) to desired room temperature?
- 15. Completed Installation and Service Certificate below?
- 16. Reviewed Maintenance and Service Manual with owner or maintenance person and instructed person to keep for future reference?
- 17. Returned all instructions provided with boiler to its envelope and placed with boiler for future reference?

## Installation and Service Certificate

Date Installed: \_\_\_\_\_

Boiler Model Number: \_\_\_\_\_ Series: \_\_\_\_\_

CP Number(s): \_\_\_\_\_

Measured Btu or GPH Input: \_\_\_\_\_

Installer: \_\_\_\_\_

(Company)

Installation instructions have been followed.

Check-out procedure has been performed.

Above information is certified to be correct.

Information received and left with owner/ maintenance person.

(Address)

(Phone)

\_\_\_\_\_  
(Installer's Signature)





## **Burner adjustments for “P” and “A” boilers:**

**WARNING** Final burner adjustments must be made using combustion test equipment to assure proper operation. Do not fire boiler without water or sections will overheat.

1. Refer to burner manual for start-up.
2. Allow boiler to heat to design condition.
3. Using combustion test equipment, adjust burner for:
  - a. CO<sub>2</sub> between 11% and 12% and 0 smoke.
  - b. -0.01" to -0.02" W.C. draft in combustion chamber.

## **To connect WGO boilers to Weil-McLain PLUS indirect-fired water heaters:**

Install and wire per water heater manual provided with water heater.

**WARNING**

To provide close clearances as described in pages 26 and 27, Close Clearance Kit, W-M Part No. 386-500-050, must be obtained and installed as described below. Failure to use kit or install as described can result in a fire hazard, causing severe personal injury, death or substantial property damage.

**Close clearance installation:**

Substitute these instructions for corresponding material in manual. All other procedures and practices must remain the same.

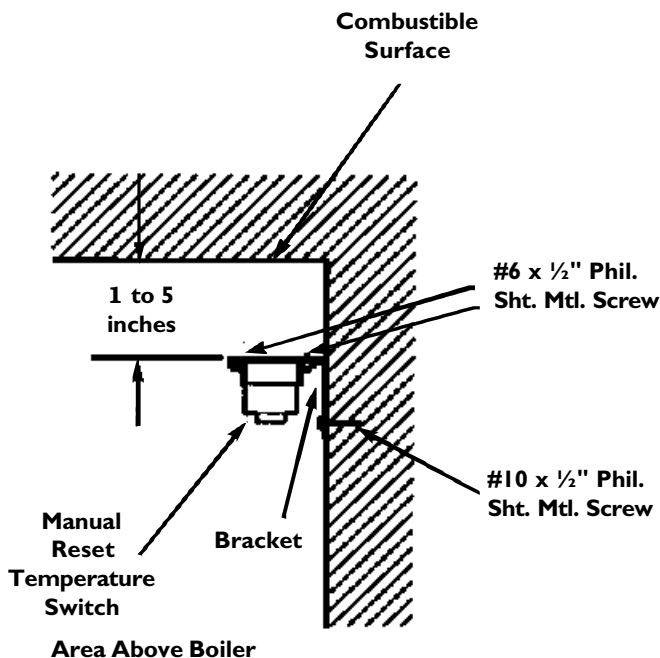
Recommended service and minimum clearances shown on page 4 should be used where possible. Where closer clearances are required:

- Top of boiler — If less than 24" available, provide removable surface to allow for cleaning boiler flueways.
- Right or left side — Minimum 2 inches.
- Front — Minimum 2 inches from burner.
- Doublewall flue pipe to combustible surface — as listed in Table on page 27 and FIGURES 19 through 21.

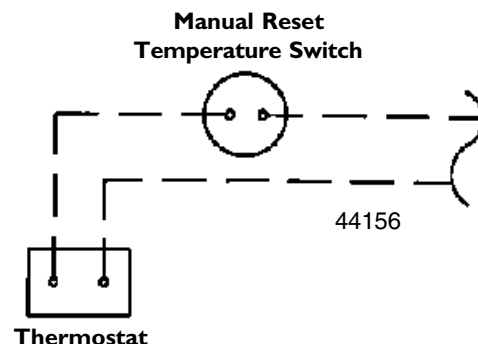
**NOTICE**

Jacket cap must be in place on boiler to avoid requiring an 18" minimum clearance from back or top of boiler to combustible material. Flue pipe clearances must take precedence over jacket clearances.

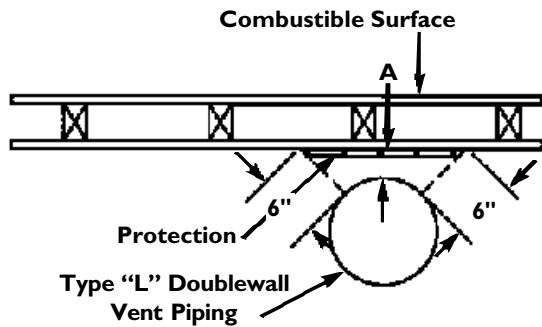
1. Install boiler using clearances described at left.
2. Install barometric control 18-20 inches from boiler in breeching.
3. Attach manual reset temperature switch near upper surface of enclosed area. See FIGURE 17.
4. Wire switch in series with thermostat. See FIGURE 18.
5. Provide two combustion/ventilation openings when installing in confined space. Size opening 140 sq. in. (1000 Btu) per 1 GPH input. Locate openings near top and bottom of enclosed space.



Manual Reset Temperature Switch Location  
FIGURE 17



Manual Reset Temperature Switch Wiring  
FIGURE 18



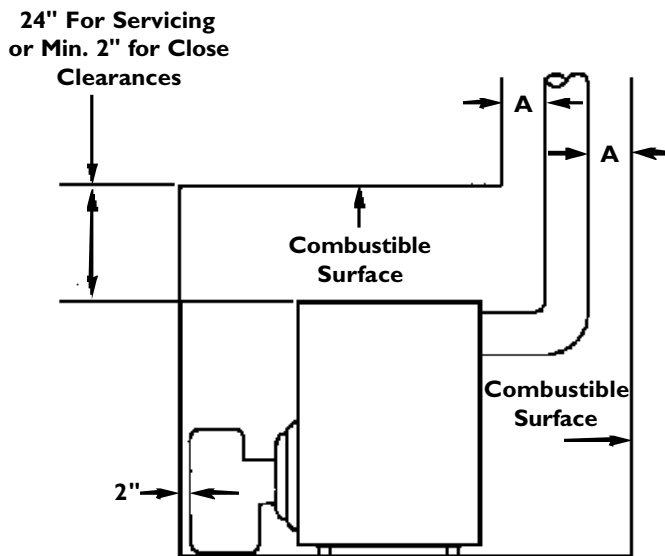
**Flue Pipe Clearances  
FIGURE 19**

**PROTECTION REQUIRED FOR CLEARANCES LESS THAN 6 INCHES FROM DOUBLEWALL VENT PIPE\***

<p><b>DIMENSION A</b> When desired minimum clearance from type "L" doublewall vent pipe to combustible surface is:</p>	<p><b>Use the following protection**:</b></p>
<p>3"</p>	<p>½" thick insulation board *** over one-inch glass fiber or mineral wool batts+</p>
<p>2"</p>	<p>24 gauge sheet metal with one-inch ventilated air space</p>
<p>3"</p>	<p>½" thick insulation board *** with one-inch ventilated air space</p>

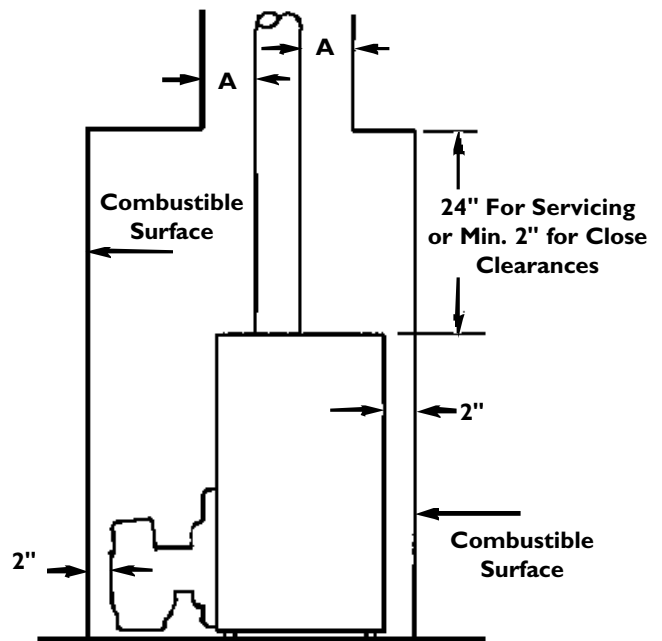
- \* All clearances measured from outer surface of equipment to combustible surface, not to the protection used.
- \*\* Apply to combustible surface unless otherwise noted. Cover all surfaces as specified in Table and FIGURE 19. Thicknesses are minimum.
- \*\*\* Factory-fabricated board made of non-combustible materials, normally fibers, having thermal conductivity in range of one (Btu-inch)/(hr./sq. ft./°F) or less.
- + Mineral wool batts (blanket or board), having min. density of 8 lb/ft<sup>3</sup> and a min. melting point of 1500°F.

OTHER DIMENSIONS AVAILABLE. REFER TO NFPA-31.



**NOTE: 2" Min. on Sides**

**Back Vent Clearances  
FIGURE 20**



**NOTE: 2" Min. on Sides**

**Top Vent Clearances  
FIGURE 21**



# Parts List

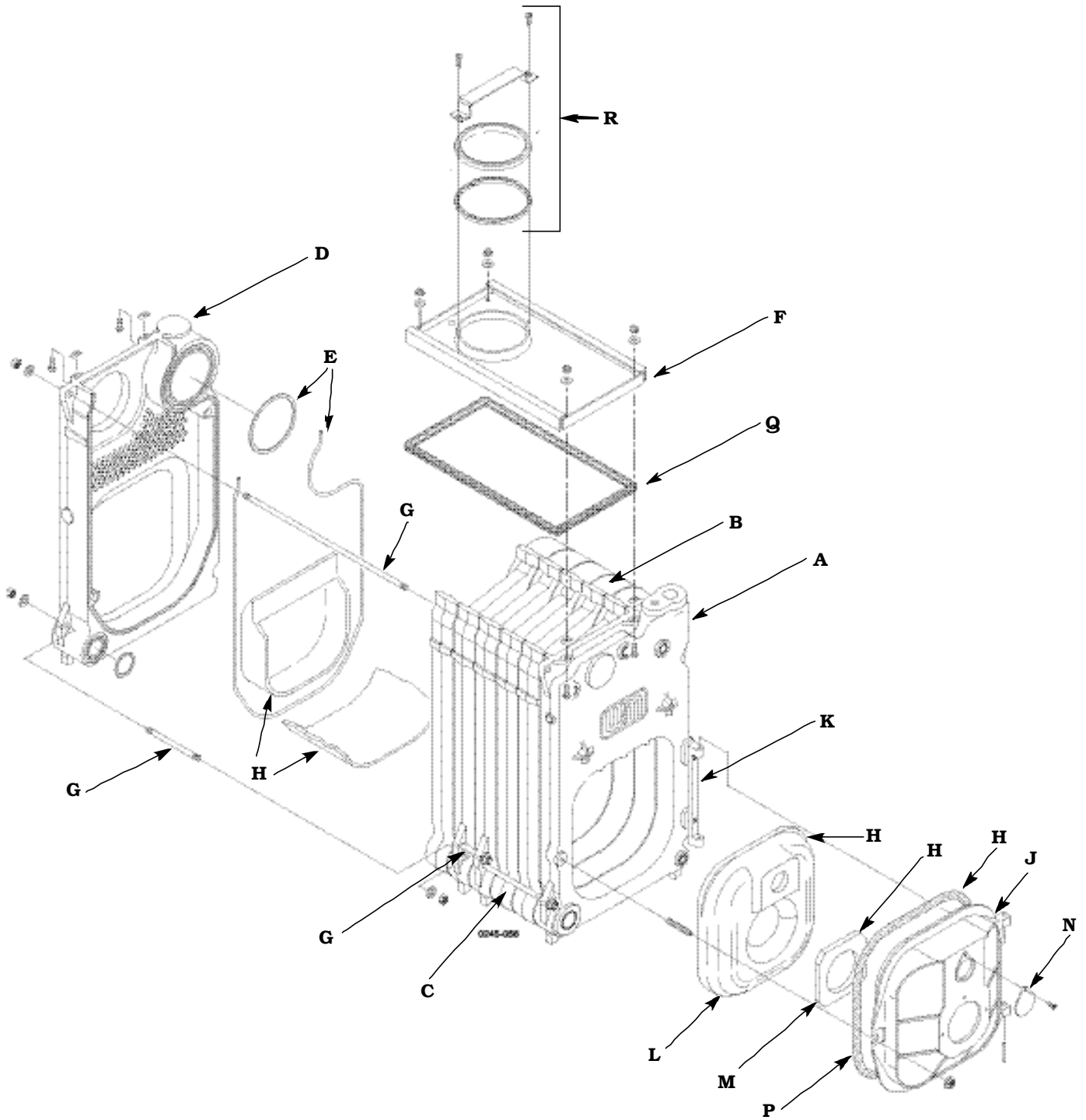
**NOTICE**

Repair parts must be purchased through Weil-McLain for the specific boiler as indicated in the list below. Results from using modified or other manufactured parts will not be covered by warranty and may damage boiler or impair operation.

Fig. No.	Description	W-M Sales Part Number
<b>A</b>	Regular Front Section 7012	316-700-250
<b>B</b>	Wide Intermediate Section (WGO-3) 7010	316-700-075
<b>B</b>	Regular Intermediate Section 7015	316-700-065
<b>C</b>	Intermediate Section w/Draw Rod Lugs 7016	316-700-070
<b>D</b>	Back Section w/7" Flue, Supply & 2" Return 7017	316-700-265
<b>E</b>	Section Replacement Kit (For 1 Joint, includes Seals, Rope, Adhesive and Collector Hood Hardware) Front or Back Section	386-700-852
	Section Replacement Kit (For 2 Joints, includes Seals, Rope and Adhesive) Intermediate Section	386-700-851
	Section Assembly Complete, For WGO-2	386-700-650
	Section Assembly Complete, For WGO-3	386-700-651
	Section Assembly Complete, For WGO-4	386-700-652
	Section Assembly Complete, For WGO-5	386-700-653
	Section Assembly Complete, For WGO-6	386-700-654
	Section Assembly Complete, For WGO-7	386-700-655
	Section Assembly Complete, For WGO-8	386-700-656
	Section Assembly Complete, For WGO-9	386-700-657
<b>F</b>	Collector Hood Kit For WGO-2*	386-700-336
<b>F</b>	Collector Hood Kit For WGO-3*	386-700-337
<b>F</b>	Collector Hood Kit For WGO-4*	386-700-337
<b>F</b>	Collector Hood Kit For WGO-5*	386-700-338
<b>F</b>	Collector Hood Kit For WGO-6*	386-700-339
<b>F</b>	Collector Hood Kit For WGO-7*	450-020-170
<b>F</b>	Collector Hood Kit For WGO-8*	450-020-172
<b>F</b>	Collector Hood Kit For WGO-9*	450-020-160
<b>G</b>	Tie Rod $\frac{1}{2} \times 5\frac{1}{2}$ (WGO-7, 8, 9)	560-234-464
<b>G</b>	Tie Rod $\frac{1}{2} \times 10\frac{3}{4}$ (WGO-2 & 7)	560-234-491
<b>G</b>	Tie Rod $\frac{1}{2} \times 12$ (WGO-7)	560-234-492
<b>G</b>	Tie Rod $\frac{1}{2} \times 14$ (WGO-3, 4, 8, 9)	560-234-470
<b>G</b>	Tie Rod $\frac{1}{2} \times 15$ (WGO-9)	560-234-495
<b>G</b>	Tie Rod $\frac{1}{2} \times 17$ (WGO-5)	560-234-472
<b>G</b>	Tie Rod $\frac{1}{2} \times 20$ (WGO-6)	560-234-534
<b>G</b>	Tie Rod $\frac{1}{2} \times 23\frac{1}{4}$ (WGO-7)	560-234-538
<b>G</b>	Tie Rod $\frac{1}{2} \times 26\frac{3}{8}$ (WGO-8)	560-234-542
<b>G</b>	Tie Rod $\frac{1}{2} \times 29\frac{1}{2}$ (WGO-9)	560-234-497
<b>H</b>	Combustion Chamber Kit (Rear & Frt. Ref., Door Ref. Blanket, Rope, Blanket & Water Glass)	386-700-355
	Burner Mounting Door Assembly (Door, Obs. Port, Rope, Ins. & Pins)	386-700-358
<b>J</b>	Burner Mounting Door 7070	330-054-302
<b>K</b>	Door Hinge 7054	330-054-300
<b>L</b>	Door Refractory	386-700-359
<b>M</b>	Door Refractory Blanket	591-222-115
<b>N</b>	Observation Port Shutter	460-039-867
<b>P</b>	Door Seal Rope 5'	590-735-105
<b>Q</b>	$\frac{3}{8}$ " Glass Rope For Collector Hood (7' For Largest Size Hood)	590-735-109
<b>R</b>	Flue Cap Assembly (Cap, Strap, Rope & Screws)	386-700-344
	Flue Brush 123D	591-706-214

\* Includes flue cap assembly, rope and hardware for installation.

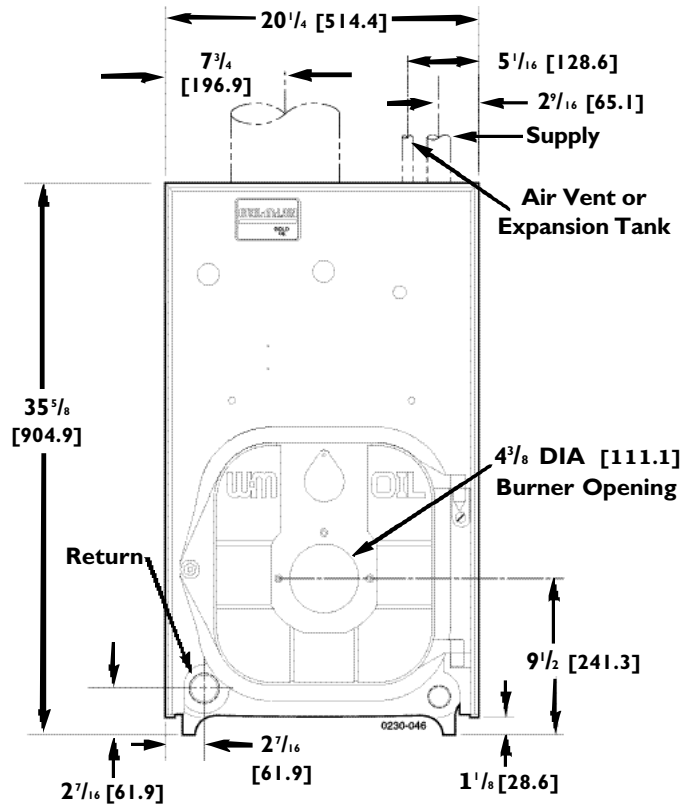
# Parts Drawing





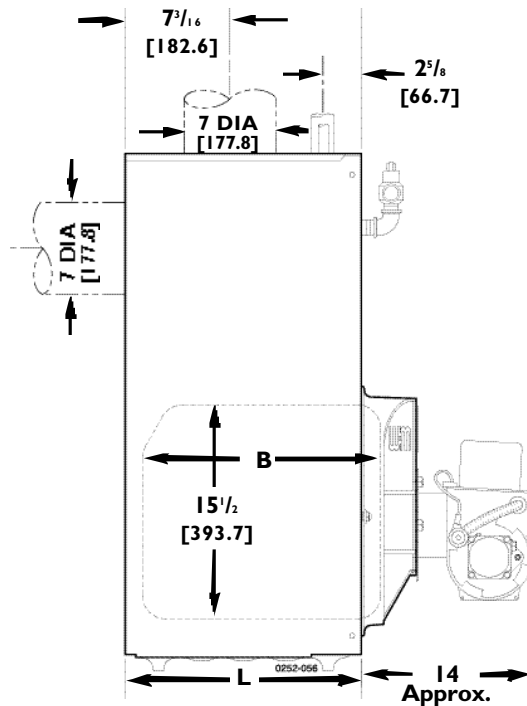
# Dimensions

DIMENSIONS - in.		
BOILER MODEL NUMBER	B	L
WGO-2	10 <sup>1</sup> / <sub>2</sub>	13 <sup>3</sup> / <sub>4</sub>
WGO-3	13 <sup>1</sup> / <sub>2</sub>	16 <sup>7</sup> / <sub>8</sub>
WGO-4	13 <sup>5</sup> / <sub>8</sub>	16 <sup>7</sup> / <sub>8</sub>
WGO-5	16 <sup>7</sup> / <sub>8</sub>	20
WGO-6	20	23 <sup>1</sup> / <sub>8</sub>
WGO-7	23 <sup>1</sup> / <sub>8</sub>	26 <sup>1</sup> / <sub>4</sub>
WGO-8	26 <sup>1</sup> / <sub>4</sub>	29 <sup>3</sup> / <sub>4</sub>
WGO-9	29 <sup>3</sup> / <sub>8</sub>	32 <sup>1</sup> / <sub>2</sub>

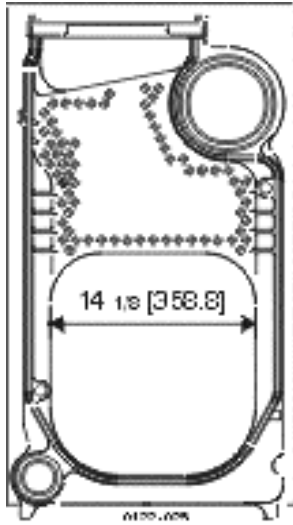


WGO Front

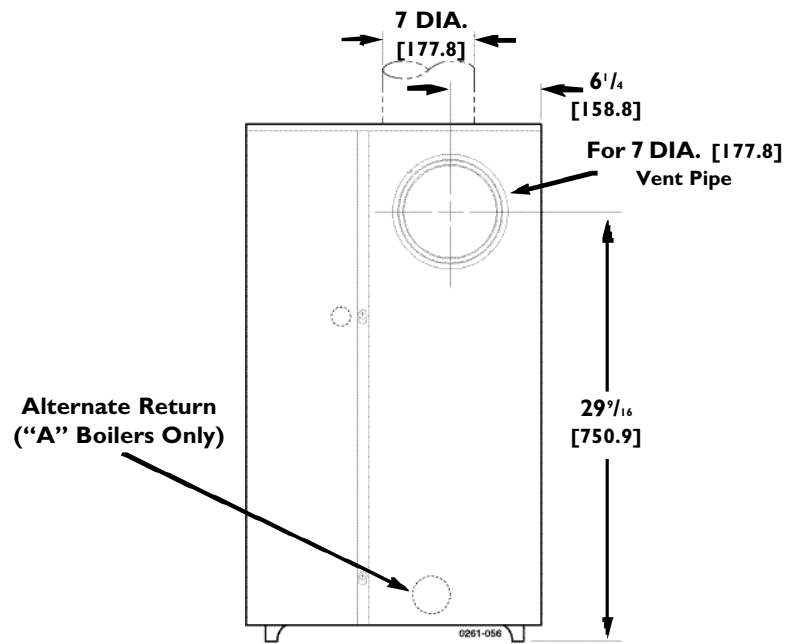
DIMENSIONS - mm.		
BOILER MODEL NUMBER	B	L
WGO-2	266.7	349.2
WGO-3	342.9	428.7
WGO-4	345.9	428.7
WGO-5	428.7	508.0
WGO-6	508	587.2
WGO-7	587.2	666.7
WGO-8	666.7	746.2
WGO-9	746.2	825.5



WGO Side with Burner



Intermediate



Back



# Ratings



## WGO GOLD OIL WATER BOILER RATINGS (1)

BOILER MODEL NUMBER	I=B=R BURNER CAPACITY GPH (3)	DOE HEATING CAPACITY (4) MBH (2)	NET I=B=R RATINGS (5)	DOE SEASONAL EFFICIENCY % AFUE	MINIMUM I=B=R CHIMNEY			ROUND FLUE OUTLET SIZE IN (7)	BOILER WATER CONTENT GAL	DRAFT LOSS THRU BOILER IN W.C. (8)
					RECT IN	ROUND IN	HEIGHT FT			
*-WGO-2	0.70	86	75	86.4	8 x 8	6	15	7	11.0	.010
*-WGO-3	0.95	115	100	85.3	8 x 8	6	15	7	14.9	.020
*-WGO-4	1.20	145	126	85.0	8 x 8	6	15	7	13.4	.010
*-WGO-5	1.45	175	152	85.0	8 x 8	7	15	7	15.9	.015
*-WGO-6	1.75	212	184	85.0	8 x 8	7	15	7	18.4	.015
** -WGO-7	2.00	242	210	85.0	8 x 8	8	15	7	20.8	.015
** -WGO-8	2.30	266 (6)	231	—	8 x 12	8	20	7	23.3	.025
** -WGO-9	2.55	295 (6)	257	—	8 x 12	8	20	7	25.8	.030

\* Substitute "P" for completely assembled packaged boiler without burner (WGO-2 through WGO-6 only).  
Substitute "A" for boiler only for use with approved burners as listed with I=B=R.

\*\* Available only as an "A" unit.

- (1) WGO boiler designed with convertible vertical and horizontal flue outlet.
- (2) MBH refers to thousands of Btu per hour.
- (3) Based on 140,000 Btu/gal.
- (4) Based on standard test procedures prescribed by the United States Department of Energy at combustion condition of 13.5% CO<sub>2</sub> and -0.02" W.C. draft overfire.
- (5) Net I=B=R ratings are based on net installed radiation of sufficient quantity for the requirements of the building and nothing need be added for normal piping and pick-up. Water ratings are based on a piping and pick-up allowance of 1.15. An additional allowance should be made for unusual piping and pick-up loads. Consult local Weil-McLain Sales Office.
- (6) I=B=R gross output
- (7) See page 12 for minimum breeching diameter.
- (8) Listed draft losses are for factory-shipped settings.



Weil-McLain  
500 Blaine Street  
Michigan City, IN 46360-2388  
<http://www.weil-mclain.com>