

# High Output Tankless Water Heater GWH 715 ES

The GWH 715 ES will meet the demands of the busy household and can be installed almost anywhere. Our tankless water heaters offer higher flow rates, sealed combustion, vertical or horizontal venting, and an outdoor installation option.

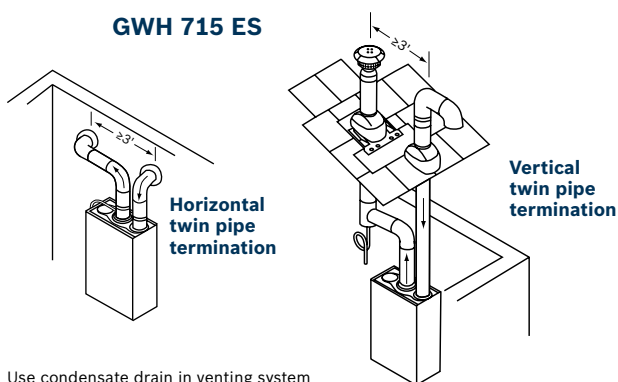
## Power and Efficiency

Bosch GWH 715 ES and GWH C 800 ES tankless water heaters offer countless installation possibilities without sacrificing power or efficiency. Imagine being able to use your shower, washing machine and dishwasher simultaneously—without running out of hot water!

There are many reasons Bosch water heaters have quickly become the choice for families demanding endless hot water. With an average life expectancy of more than 20 years, energy savings of up to 50%, and an endless supply of hot water, your family will thank you for years to come.

Both the GWH 715 ES and GWH C 800 ES tankless water heaters have high-power, compact, and reliable Ceramat burners. Both heaters use a modulating gas valve to maintain a constant gas-air ratio. This means they efficiently produce all the hot water you need, and do so with low NOx emissions, so they're kind to the environment in addition to your wallet.

## Horizontal and Vertical Venting Configurations



NOTE: The distance between the combustion air intake pipe termination and the exhaust pipe termination must be greater than or equal to 3 feet.

## ProTankless™ GWH 715 ES

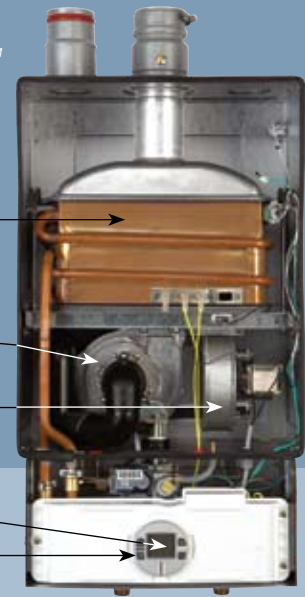
Solid Copper  
Heat Exchanger

Primary Fan  
(Mixer)

Secondary  
Air Fan

LCD Display

Control Unit

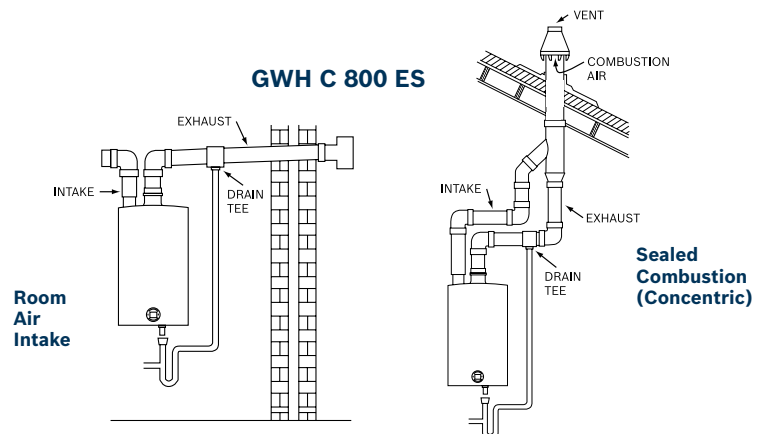


## Ability to Cascade

The GWH 715 ES and C 800 ES also offer the option to cascade, installing multiple units together to achieve higher flow rates than with a single unit alone. Cascading is useful for large homes or small businesses with a very high demand for hot water.

## Condensing Technology

The GWH C 800 ES can provide even more energy savings. Using condensing technology, the latest in energy efficiency, it captures more of the heat value of fuel by condensing the water vapor in the flue gases. An additional benefit of condensing is a cooler flue gas, which means the GWH C 800 ES can vent with PVC. In addition, concentric venting is available. This simplifies installation, as a single pipe carries both the intake and exhaust vent through to the outside, requiring only one exterior penetration.



Ships complete with wall mounting bracket, pressure relief valve, built-in electronic temperature controls and 120V plug-in power cord. Refer to manual for condensate drain tee and venting requirements.

# Condensing Tankless Water Heater

## GWH C 800 ES

The new GWH C 800 ES condensing unit offers a flow rate of up to 10 gpm, 92% efficiency, and the most advanced features in tankless technology, yet requires only 199,000 BTU/Hr input. It is designed to cascade for increased flow rates and will vent with PVC.

### Features and Benefits

- ▶ 82% thermal efficiency on GWH 715 ES  
92% thermal efficiency on GWH C 800 ES
- ▶ Modulating gas valve for constant gas-air ratio
- ▶ Ability to cascade units for increased flow rates
- ▶ Outdoor installation using optional kit
- ▶ Electronic ignition
- ▶ Available in natural gas (NG) or liquid propane (LP)
- ▶ PVC venting for GWH C 800 ES with a concentric vent option
- ▶ 15-year warranty

### ProTankless™ GWH C 800 ES

Condensing  
Heat Exchanger

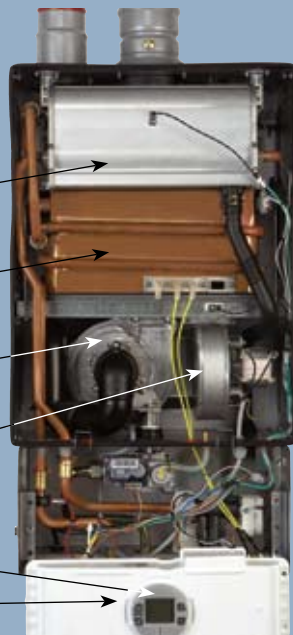
Solid Copper  
Heat Exchanger

Primary Fan  
(Mixer)

Secondary  
Air Fan

LCD Display

Control Unit  
(Shown in service position,  
which allows easy access to  
all parts of the heater.)



### The Benefits of Going Tankless

Most homes in North America use a storage tank water heater to provide domestic hot water. A storage tank water heater keeps water hot 24 hours a day, even while you're at work or sleeping. A tankless water heater, on the other hand, does not store hot water. It heats the water as needed, cutting out needless energy consumption and reducing household water heating bills up to 50%.

Bosch ProTankless™ is designed to last. Made from durable copper, steel and aluminum parts, with nothing to rust or collect sediment, these units have twice the average lifespan of traditional tank water heaters. This gives our landfills a break, and makes them the right choice for today's demanding "Green Building" practices.



### Tankless Can Make a Difference

If we all used tankless water heaters, we could

- ▶ Keep 91 million tons of carbon dioxide out of the atmosphere every year
- ▶ Reduce the number of tank water heaters (which cannot be recycled) going to landfills each year
- ▶ Decrease our country's overall dependence on non-renewable resources

*"Tankless water heaters are (a technology) that has significant energy savings potential compared to conventional products. If these products eventually achieve widespread market acceptance, tremendous gains in energy savings and associated pollution prevention could be achieved."*

U.S. Department of Energy, January 2004.



# High Output & Condensing Tankless Water Heaters for the Professional

TECHNICAL SPECIFICATIONS		GWH 715 ES	GWH C 800 ES
Power Input	Minimum	19,900 BTU/Hr	19,900 BTU/Hr
	Maximum	199,000 BTU/Hr	199,000 BTU/Hr
Min. Flow to Activate		0.65 gallons per minute (gpm)	0.65 gallons per minute (gpm)
Flow Rates		35°F rise @ 9.2 gpm 45°F rise @ 7.2 gpm 55°F rise @ 5.0 gpm 65°F rise @ 5.0 gpm 77°F rise @ 4.2 gpm 90°F rise @ 3.6 gpm	35°F rise @ 10.1 gpm 45°F rise @ 8.0 gpm 55°F rise @ 6.4 gpm 65°F rise @ 5.5 gpm 77°F rise @ 4.6 gpm 90°F rise @ 3.9 gpm
Energy Factor		NG: .83* LP: .83*	NG: .89 LP: .90
Thermal Efficiency		NG: 83%+* LP: 83%+*	NG: 92% LP: 92%
Dimensions		30½" h x 17⅞" w x 11¼" d	30½" h x 17⅞" w x 11¼" d
Weight		67 lbs.	74 lbs.
Ignition		Electronic	Electronic
Modulating Gas Valve		Yes	Yes
Accessories		Horizontal Vent Kit (#4TWHVK3S) Outdoor Kit (#PTOK) Wireless Remote (#TSTAT2) Tankless Link Cascading Kit (#TLINK) Pipe Cover (#PTPC)	Concentric Termination Kit (#BHW60L46) Outdoor Kit (#PTOK) Wireless Remote (#TSTAT2) Tankless Link Cascading Kit (#TLINK) Pipe Cover (#PTPC)
INSTALLATION SPECIFICATIONS		GWH 715 ES	GWH C 800 ES
Gas connection		¾" Male NPT	¾" Male NPT
Water Connections		¾" Male NPT	¾" Male NPT
NG Gas Pressure	Minimum:	4" WC	4" WC
	Maximum:	14" WC	14" WC
LP Gas Pressure	Minimum:	9" WC	9" WC
	Maximum:	14" WC	14" WC
Water Pressure	Minimum:	30 PSI	30 PSI
	(Well):	40 PSI	40 PSI
	Maximum:	150 PSI	150 PSI
Electrical Supply		120V – (plugs in)	120V – (plugs in)
Venting		3" or 4" single-wall stainless steel (AL29-4C) rated for Category III appliances Direct vent room-sealed combustion	3" or 4" PVC schedule 40 ANSI/ASTM D1785, PVC-DWV ANSI/ASTM D2665, CPVC schedule 40 ANSI/ASTM F441, ABS-DWV schedule 40 ANSI/ASTM 2661 In Canada CSA or ULC certified only (ULC-S636)
Installation Clearances		Top: 12" Front: 1" Back: 0" Sides: 1" Floor: 12"	Top: 12" Front: 1" Back: 0" Sides: 1" Floor: 12"
Part #			
Natural Gas		GWH 715 ES NG	GWH C 800 ES NG
Liquid Propane		GWH 715 ES LP	GWH C 800 ES LP

\* This information reflects the most up to date third party testing results.  
All information in this table is for a single unit. See Technical Manual for cascading specifications.



**Bosch Thermotechnology Corp.**  
50 Wentworth Avenue  
Londonderry, NH 03053

Tel: 1-866-642-3198  
Fax: 1-603-584-1681  
www.boschpro.com



**BOSCH**  
Invented for life



ProTankless™



# High Output & Condensing Tankless Water Heaters

GWH 715 ES • GWH C 800 ES



**BOSCH**

Invented for life



Tankless Water Heaters for the Professional